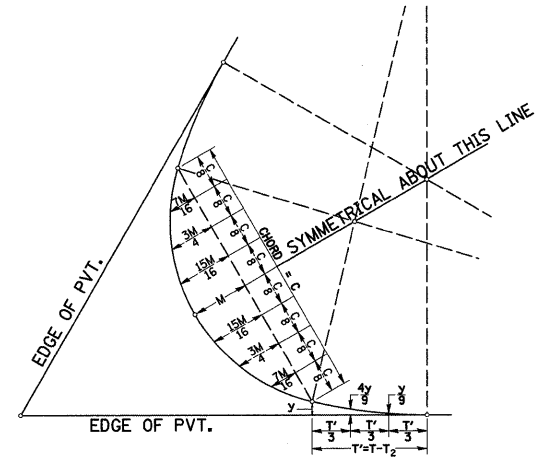
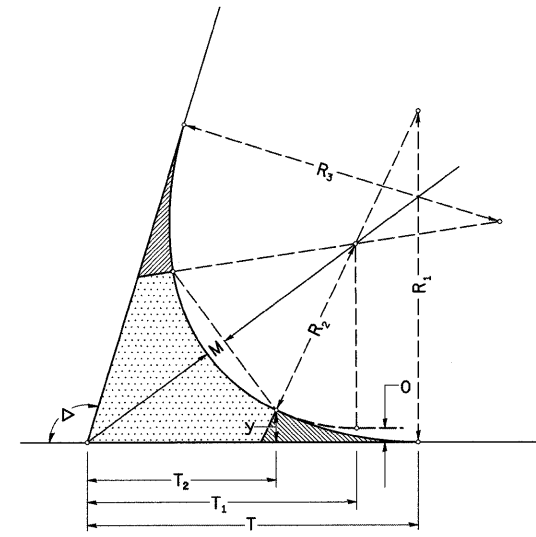


# THREE CENTER CURVE DATA

## SYMMETRICAL CURVES



FIELD LAYOUT METHOD

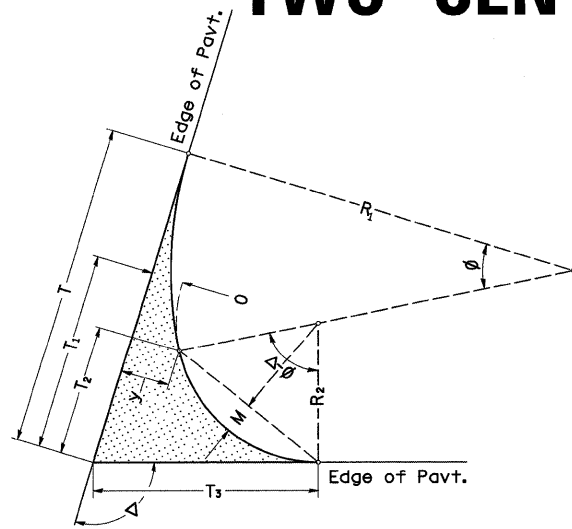


FOR SYMMETRICAL CURVES

CURVE #							
R <sub>1</sub>							
R <sub>2</sub>							
R <sub>3</sub>							
O							
Δ							
T							
T <sub>1</sub>							
T <sub>2</sub>							
T'							
y							
4y/9							
y/9							
M							
15M/16							
3M/4							
7M/16							
C							

ALL DIMENSIONS ARE IN MILLIMETERS (INCHES) UNLESS OTHERWISE NOTED.

# TWO CENTER CURVE DATA



TWO CENTER CURVES

CURVE #	1	2					
R <sub>1</sub>	400.00	250.00					
R <sub>2</sub>	100.00	50.00					
O	8.00	12.00					
Δ	83.02	84.91					
T	156.34	112.91					
T <sub>1</sub>	87.52	44.68					
T <sub>2</sub>	64.58	27.62					
T <sub>3</sub>	96.56	57.79					
y	10.67	15.00					
4y/9	4.74	6.67					
y/9	1.19	1.67					
M	17.96	7.82					
15M/16	16.84	7.33					
3M/4	13.47	5.87					
7M/16	7.86	3.42					
C	114.37	53.70					

REVISED - 3-22-90

REVISED -	<b>REGION 2 / DISTRICT 2 STANDARD</b>	F.A.P. RTE.	SECTION	COUNTY	TOTAL SHEETS	SHEET NO.
REVISED -		754	101M-1	BOONE	74	40
REVISED -		CONTRACT NO. 64E34				
REVISED -		SCALE: 50.0000' / 1" IN	SHEET NO.	OF	SHEETS	STA.