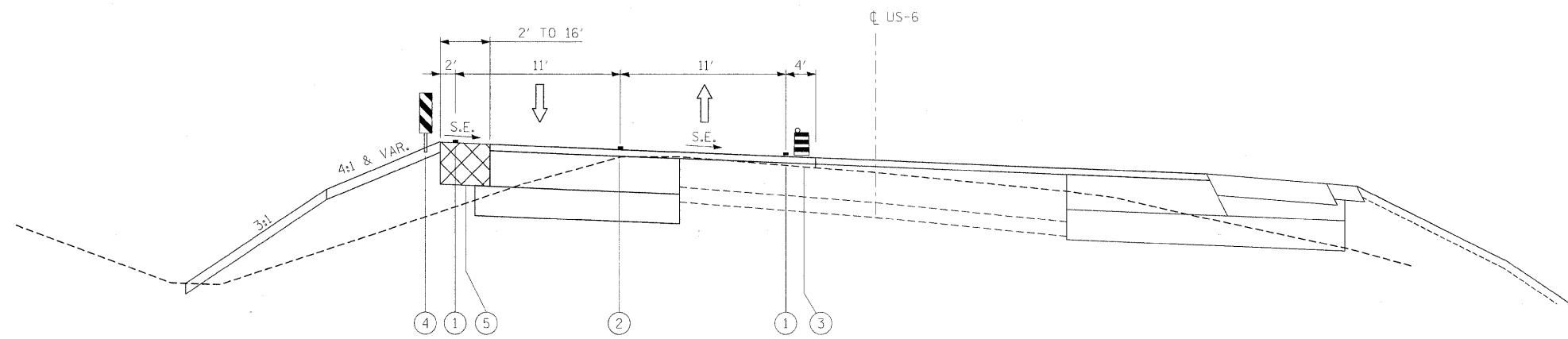


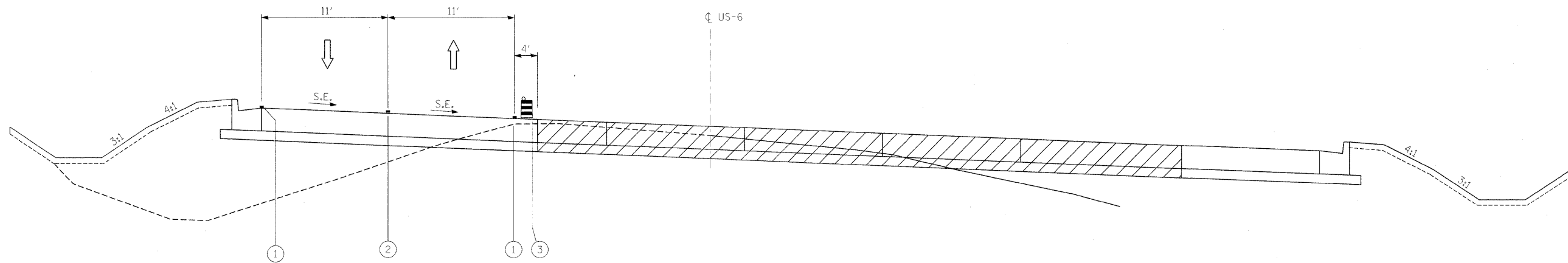
US-6 STAGE 3
 STA. 200+36.59 TO STA. 207+14.40

LEGEND:

- ① TEMPORARY PAVEMENT MARKING LINE, 4 INCHES (WHITE)
- ② TEMPORARY PAVEMENT MARKING LINE, 4 INCHES (DOUBLE YELLOW)
- ③ DRUM WITH STEADY BURNING LIGHT
- ④ DOUBLE VERTICAL PANELS (BACK TO BACK) WITH BI-DIRECTIONAL STEADY BURNING LIGHTS
- ⑤ TEMPORARY PAVEMENT
- ⑥ WORK ZONE
- ⑦ EXISTING PAVEMENT MARKING LINE
- ⑧ TEMPORARY CONCRETE BARRIER



US-6 STAGE 4
 STA. 189+74.73 TO STA. 200+36.59
 STA. 207+14.40 TO STA. 215+09.62*
 *(STA EQ. 212+70.73 BK = 213+09.62 AH)



US-6 STAGE 4
 STA. 200+36.59 TO STA. 207+14.40
 *WORK ZONE 203+20.00 TO 204+40.00

FILE NAME =	USER NAME = .USER.	DESIGNED - JPW	REVISED -	STATE OF ILLINOIS DEPARTMENT OF TRANSPORTATION	MAINTENANCE OF TRAFFIC US-6 TYPICAL CROSS-SECTIONS		F.A.U. RTE.	SECTION	COUNTY	TOTAL SHEETS	SHEET NO.	
t:\1812\CADD Sheets\0366408-sht-staging.dgn	PLOT SCALE = #SCALE#	DRAWN - ECS	REVISED -		SCALE: NTS	SHEET NO. 66 OF 351 SHEETS	STA.	TO STA.	(32,47-4) HBK-4 & G(N)	GRUNDY	351	66
	PLOT DATE = 5/20/2010	CHECKED - AKK	REVISED -						CONTRACT NO. 66408			
		DATE - 5/20/2010	REVISED -						ILLINOIS FED. AID PROJECT			

FAI 80 & FAS 297 / FAU 392