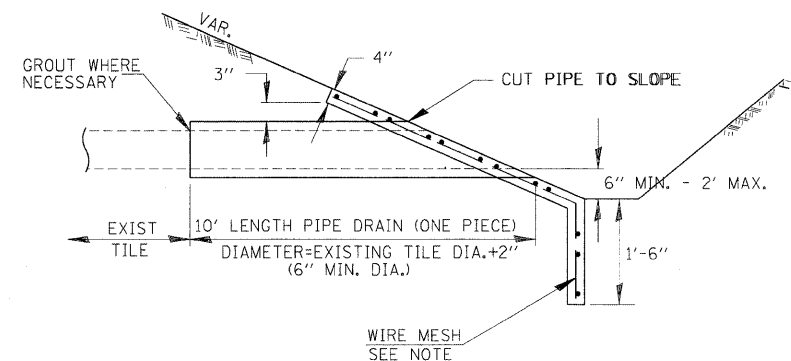
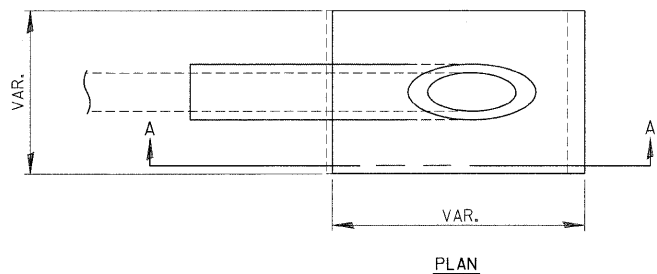
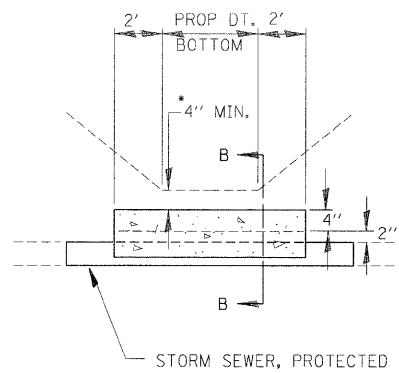


FIELD TILE REPLACEMENT



SECTION A-A

CLASS SI CONCRETE HEADWALLS



DETAIL A

NO SCALE

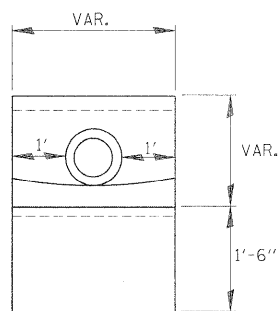
* IF A 4" COVER CAN NOT BE PROVIDED A PAVED DITCH SHALL BE CONSTRUCTED AS SHOWN IN DETAIL C.

NOTES

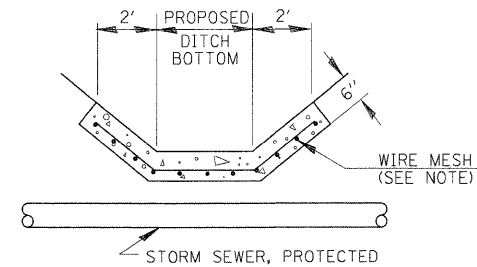
1. WIDTH OF CONCRETE SLAB SHALL BE THE SAME AS THE TRENCH WIDTH IN ACCORDANCE WITH SECTION 550 OF THE STD. SPECIFICATIONS, OR 3' MIN.
2. CONCRETE FOR SLAB, HEADWALL AND PAVED DITCH SHALL BE PAID FOR AT THE CONTRACT UNIT PRICE PER CUBIC YARD FOR MISCELLANEOUS CONCRETE."
3. COST OF FURNISHING AND INSTALLING WIRE MESH SHALL BE INCLUDED IN THE CONTRACT UNIT PRICE PER CUBIC YARD FOR MISCELLANEOUS CONCRETE. WIRE MESH TO WEIGH NOT LESS THAN 58# PER 100 SQ. FT.

NOTES

1. ANY STORM SEWER OR FIELD TILE OUTLET INTO A DITCH SHALL HAVE A HEADWALL BUILT IN ACCORDANCE WITH THIS DETAIL.
2. COST OF FURNISHING AND INSTALLING WIRE MESH SHALL BE INCLUDED IN THE CONTRACT UNIT PRICE PER CUBIC YARD FOR MISCELLANEOUS CONCRETE. WIRE MESH TO WEIGH NOT LESS THAN 58# PER 100 SQ. FT.

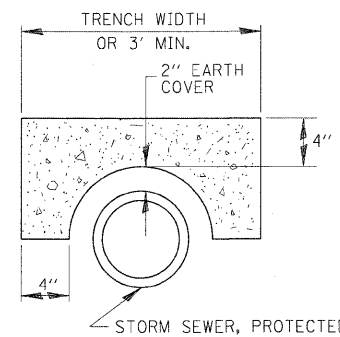


END VIEW

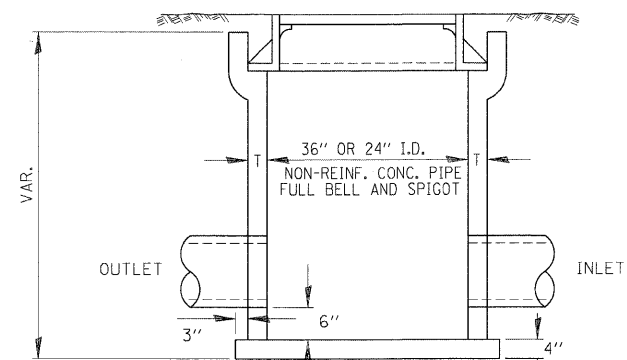


DETAIL C

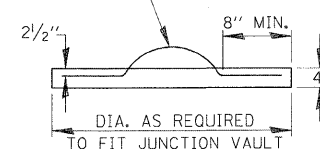
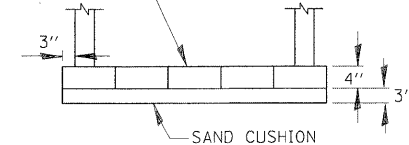
NO SCALE



SECTION B-B



CLASS SI CONCRETE OR PRECAST REINFORCED CONCRETE SLABS NOT LESS THAN 12" WIDE

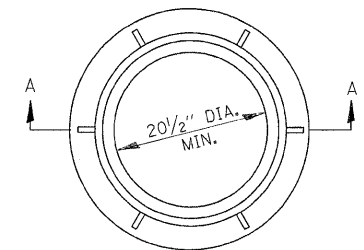


FIELD TILE JUNCTION VAULT

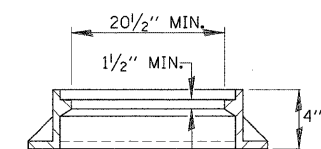
ALTERNATE MATERIALS FOR WALLS		T
PRECAST REINFORCED CONCRETE RISERS		4"
CONCRETE MASONRY UNIT		5"
MONOLITHIC CONCRETE		6"
BUILDING BRICK, GRADE SW FROM CLAY OR SHALE		8"
CONCRETE BUILDING BRICK, GRADE A		8"

NOTES

1. THE CONTRACT UNIT PRICE FOR FIELD TILE JUNCTION VAULT SHALL INCLUDE THE COST OF FURNISHING AND PLACING THE FRAME AND GRATE OR PRECAST CONCRETE LID AND WHEN REQUIRED, THE SAND CUSHION.
2. ALL FIELD TILE JUNCTION VAULTS SHALL BE 2'-0" IN DIAMETER UNLESS OTHERWISE NOTED ON THE PLANS.



± 145#



SECTION A-A

FILE NAME =	USER NAME = .USER.	DESIGNED - CGC	REVISED -
\\c1812\cadd\sheets\0366408-sht-detail.dgn		DRAWN - CGC	REVISED -
PLOT SCALE = #SCALE#		CHECKED - AKK	REVISED -
PLOT DATE = 5/19/2010		DATE - 5/19/2010	REVISED -

**STATE OF ILLINOIS
DEPARTMENT OF TRANSPORTATION**

DISTRICT DETAILS

SCALE: AS NOTED SHEET NO. 158 OF 351 SHEETS STA. TO STA.

• FAI 80 & FAS 297 / FAU 392				
F.A.U. RTE.	SECTION	COUNTY	TOTAL SHEETS	SHEET NO.
•	(32,47-4) HBK-4 & G(N)	GRUNDY	351	158
				CONTRACT NO. 66408
ILLINOIS FED. AID PROJECT				

611-2