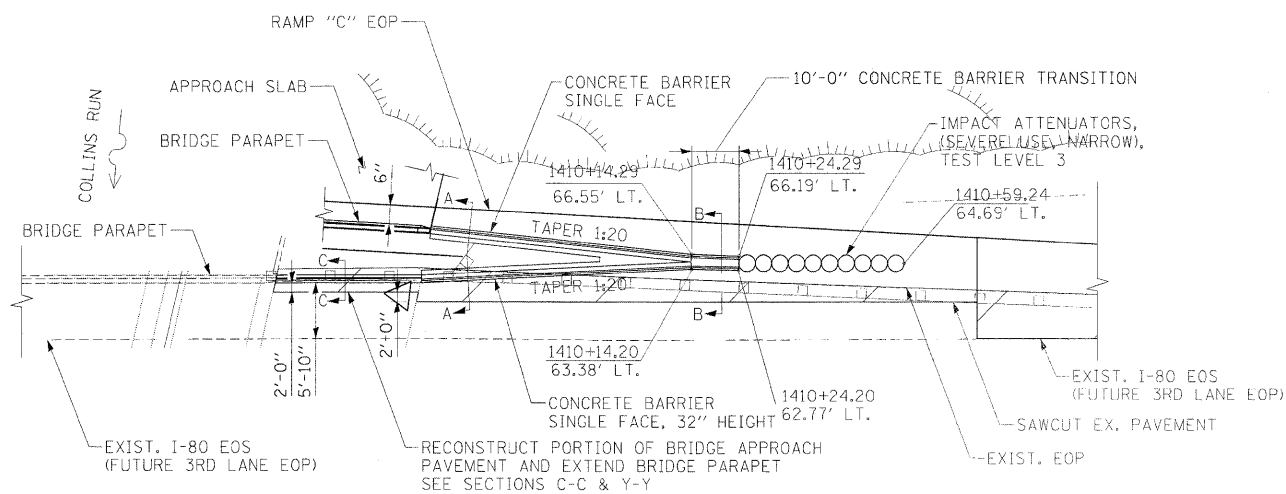


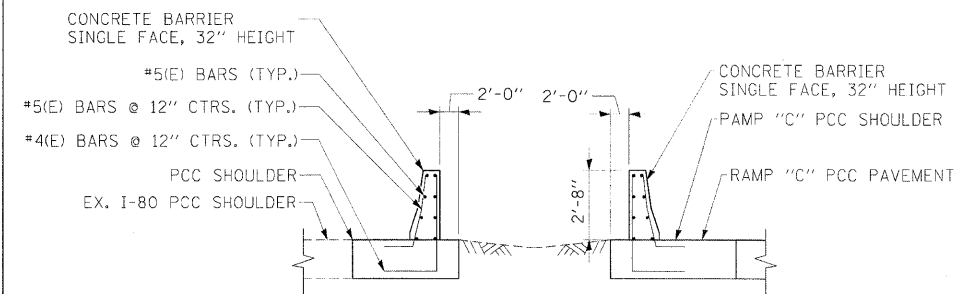
RAMP C GORE AREA BARRIER TRANSITION - PLAN

SCALE: 1"=40'



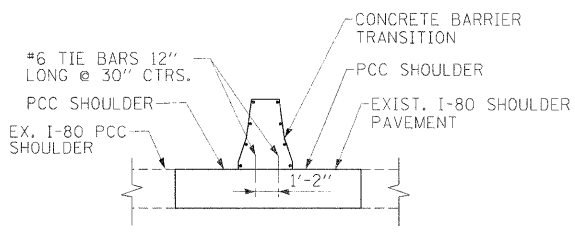
DETAIL "A"

SCALE: 1"=20'



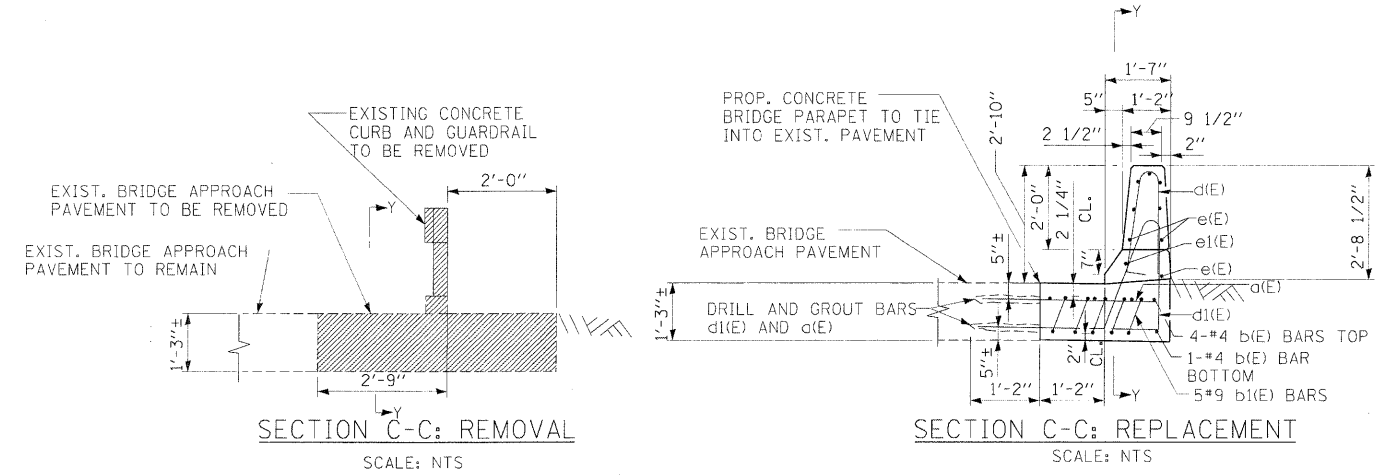
SECTION A-A

SCALE: NTS



SECTION B-B

SCALE: NTS

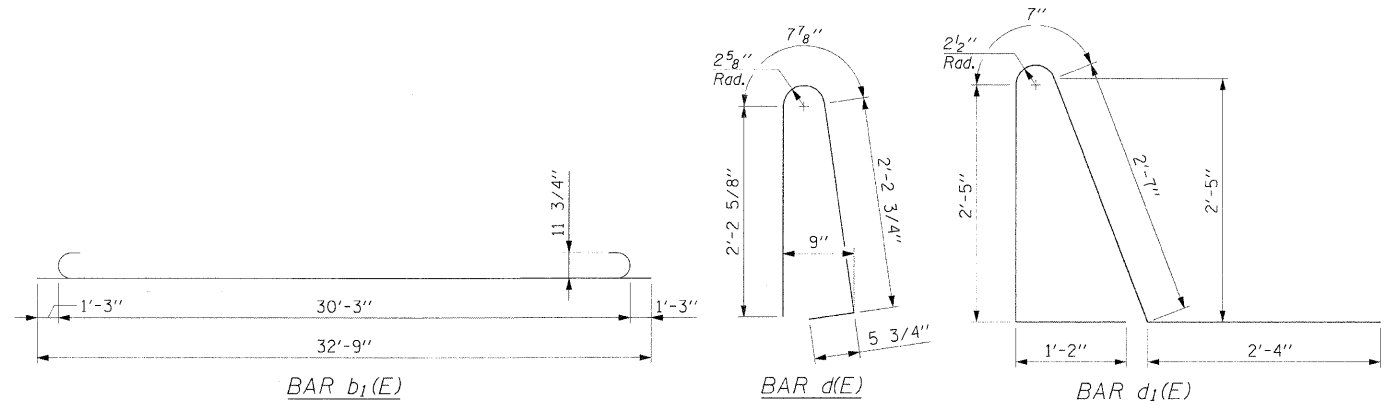


SECTION C-C: REMOVAL

SCALE: NTS

SECTION C-C: REPLACEMENT

SCALE: NTS



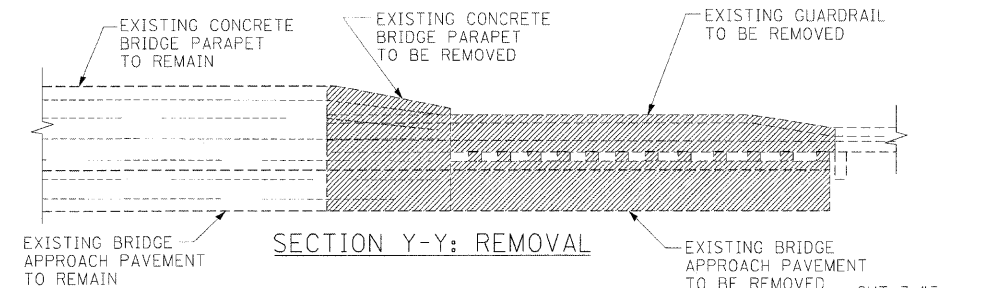
BAR b₁(E)

BAR d(E)

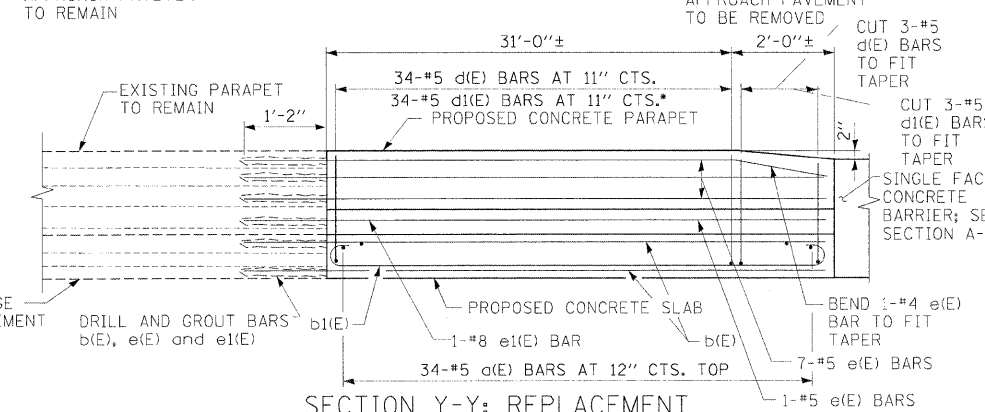
BAR d₁(E)

BILL OF MATERIAL

Bar	No.	Size	Length	Shape
a(E)	34	#5	3'-8"	—
b(E)	5	#4	32'-8"	—
b ₁ (E)	5	#9	32'-9"	—
d(E)	37	#5	5'-7"	—
d ₁ (F)	37	#5	9'-1"	—
e(E)	8	#5	32'-8"	—
e ₁ (E)	1	#8	32'-8"	—
Concrete Superstructure		Cu. Yd.	10.0	
Reinforcement Bars, Epoxy Coated		Pound	1,800	
Drill and Grout Bars		Each	85	
Concrete Removal		Cu. Yd.	8.0	



SECTION Y-Y: REMOVAL



SECTION Y-Y: REPLACEMENT

• DRILL AND GROUT INTO EXISTING PAVEMENT AS SHOWN IN SECTION X-X

EXTENSION OF EXISTING WB I-80 BRIDGE PARAPET AT RAMP C

FILE NAME =	USER NAME = USER	DESIGNED - CGC	REVISED -
11812cadd sheets(0366408-sht-detail).dgn		DRAWN - CGC	REVISED -
PLOT SCALE = SCALES		CHECKED - AKK	REVISED -
PLOT DATE = 5/19/2010		DATE - 5/19/2010	REVISED -

STATE OF ILLINOIS
DEPARTMENT OF TRANSPORTATION

CONSTRUCTION DETAILS

SCALE: AS NOTED SHEET NO. 164 OF 351 SHEETS STA. TO STA.

FAI 80 & FAS 297 / FAU 392				
F.A.U. RTE.	SECTION	COUNTY	TOTAL SHEETS	SHEET NO.
	(32,47-4) HBK-4 & C(N)	GRUNDY	351	164
			CONTRACT NO. 66408	
ILLINOIS FED. AID PROJECT				