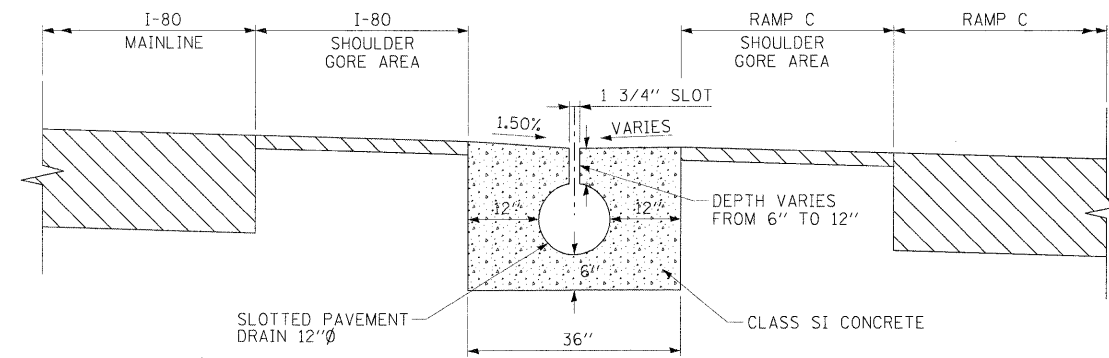


US-6 SLOTTED DRAIN PIPE

SCALE: NTS

NOTE:
SEE DISTRICT DETAIL 601-2 SLOTTED DRAIN PIPE FOR ADDITIONAL INFORMATION

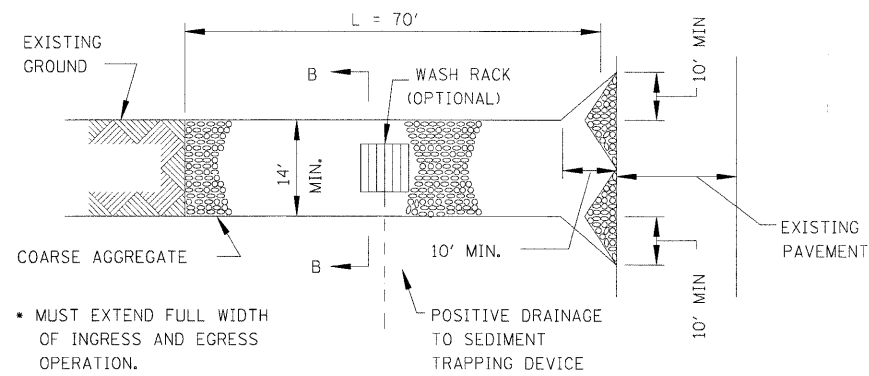


I-80 AT RAMP C SLOTTED DRAIN PIPE

SCALE: NTS

NOTE:
SEE DISTRICT DETAILS 601-2 SLOTTED DRAIN PIPE, 542546-01 FLUSH INLET BOX FOR MEDIAN, AND 420301-04 EXIT RAMP TERMINAL, FOR ADDITIONAL INFORMATION

STABILIZED CONSTRUCTION ENTRANCE

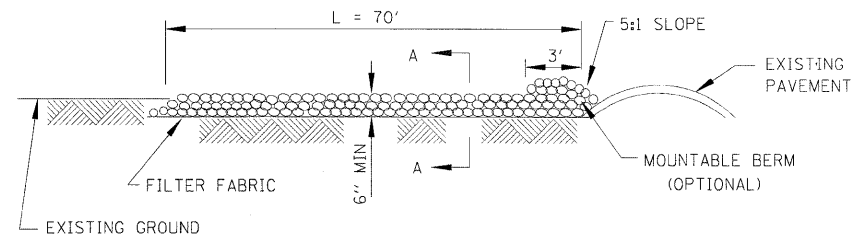


PLAN VIEW

SCALE: NTS

MUST EXTEND FULL WIDTH OF INGRESS AND EGRESS OPERATION.

POSITIVE DRAINAGE TO SEDIMENT TRAPPING DEVICE

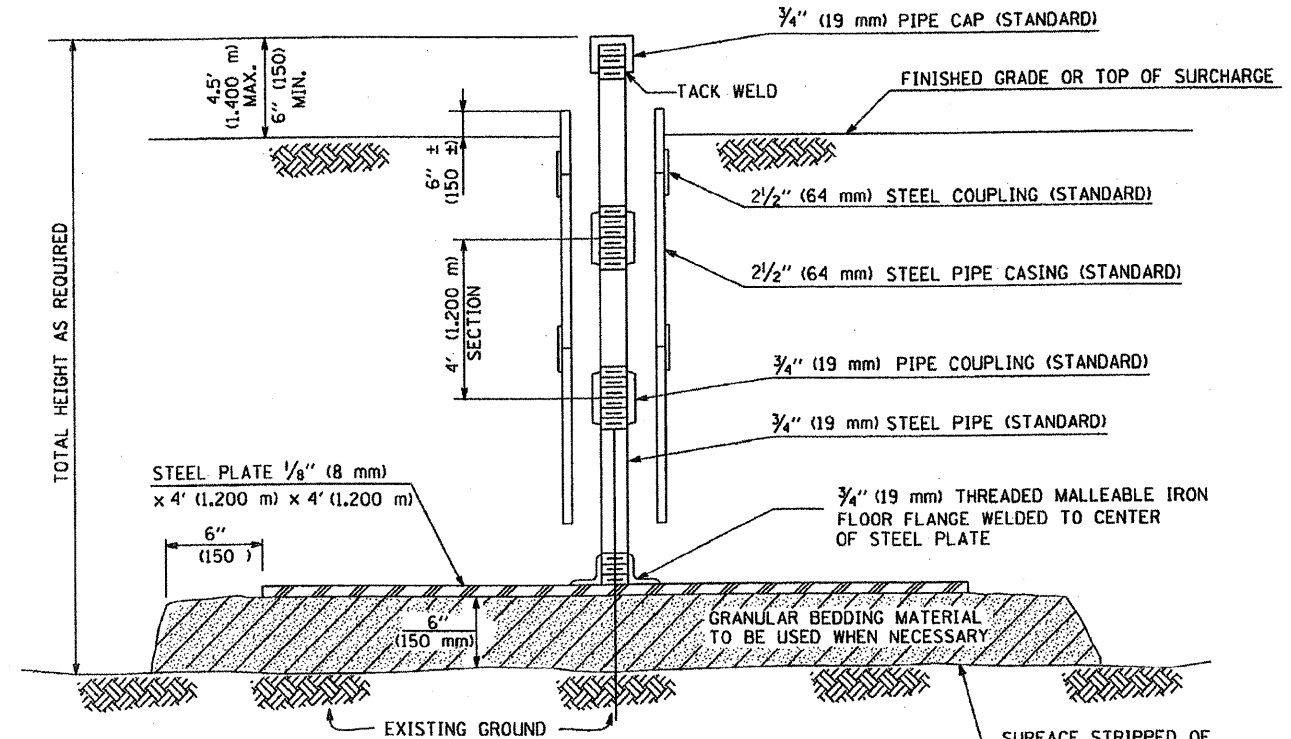


SIDE ELEVATION

SCALE: NTS

NOTES:

1. FILTER FABRIC SHALL MEET THE REQUIREMENTS OF SECTION 282 OF THE STANDARD SPECIFICATIONS AND SHALL BE PLACED OVER THE CLEARED AREA PRIOR TO THE PLACING OF ROCK.
2. ROCK OR RECLAIMED CONCRETE SHALL MEET ONE OF THE FOLLOWING IDOT COARSE AGGREGATE GRADATIONS, CA-1, CA-2, CA-3 OR CA-4 AND BE PLACED ACCORDING TO SECTION 351 OF THE STANDARD SPECIFICATIONS.
3. ANY DRAINAGE FACILITIES REQUIRED BECAUSE OF WASHING SHALL BE CONSTRUCTED ACCORDING TO MANUFACTURERS SPECIFICATIONS.
4. IF WASH RACKS ARE USED THEY SHALL BE INSTALLED ACCORDING TO THE MANUFACTURER'S SPECIFICATIONS.



SETTLEMENT PLATFORM DETAIL

NOTES:

1. SEE SECTION 204.06 OF THE STANDARD SPECIFICATIONS FOR ROAD AND BRIDGE CONSTRUCTION.
2. SETTLEMENT PLATFORM WILL BE CONSIDERED AS INCLUDED IN THE COST OF FURNISHED EXCAVATION.

FILE NAME = t:\1812\cadd sheets\0366408-sht-detail.dgn	USER NAME = .USER.	DESIGNED - JJPW	REVISED -
PLOT SCALE = #SCALE#	CHECKED - AKK	DATE - 5/19/2010	REVISED -
PLOT DATE = 5/19/2010			

STATE OF ILLINOIS
DEPARTMENT OF TRANSPORTATION

DISTRICT DETAILS

SCALE: AS NOTED SHEET NO. 166 OF 351 SHEETS STA. TO STA.

F.A.U. RTE.	SECTION	COUNTY	TOTAL SHEETS	SHEET NO.
	(32,47-4) HBK-4 & G(N)	GRUNDY	351	166
CONTRACT NO. 66408				
ILLINOIS FED. AID PROJECT				