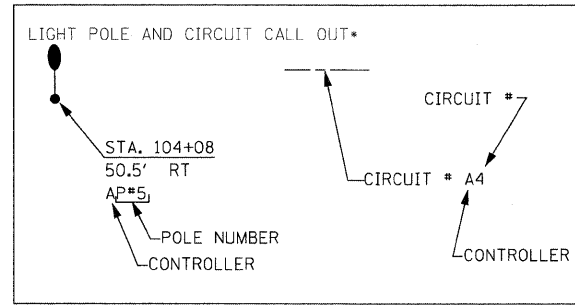


**GENERAL NOTES:**

- ALL NEW CONDUIT, UNIT DUCTS, DIRECT BURIAL CABLE, AND APPURTENANCES ARE INDICATED DIAGRAMMATICALLY ON THE DRAWINGS. THE ACTUAL LOCATIONS IN THE FIELD ARE TO BE SURVEYED AND STAKED BY THE CONTRACTOR. THESE LOCATIONS SHALL MEET WITH APPROVAL OF THE ENGINEER PRIOR TO INSTALLATION AND CONSTRUCTION.
- THE ELECTRICAL WORK SHALL BE PERFORMED IN ACCORDANCE WITH THE IDOT STANDARD SPECIFICATIONS FOR ROAD AND BRIDGE CONSTRUCTION AND ASSOCIATED SUPPLEMENTAL SPECIFICATIONS.
- THE CONTRACTOR SHALL FURNISH AND INSTALL LUMINAIRE LAMPS IN ACCORDANCE WITH THE SUPPLIER'S RECOMMENDATIONS AND IN ACCORDANCE WITH THE SPECIFICATIONS. ALL LUMINAIRES SHALL BE ORIENTED WITH THE OPTICS PERPENDICULAR TO THE ROADWAY UNLESS OTHERWISE INDICATED OR DIRECTED BY THE ENGINEER. THE COST OF THIS WORK AND MATERIAL SHALL BE INCLUDED IN THE APPLICABLE LUMINAIRE PAY ITEM.
- CONDUITS AND UNIT DUCTS SHALL BE INSTALLED AT A MINIMUM 30 INCHES DEPTH BELOW GRADE AND POSITIONED IN THE FIELD TO AVOID CONFLICT WITH ROADWAY UNDER DRAINS AND OTHER EXISTING AND PROPOSED UTILITIES. THE CONTRACTOR SHALL INCREASE DEPTH OF UNIT DUCT AND CONDUIT AS REQUIRED AT NO ADDITIONAL COST. THE CONTRACTOR SHALL COORDINATE RACEWAY DEPTH WITH THE ELECTRICAL DETAILS AND THE ENGINEER.
- WHERE MULTIPLE UNIT DUCTS ADJACENT TO EACH OTHER ARE INSTALLED IN A COMMON TRENCH, TRENCH AND BACKFILL WILL NOT BE PAID FOR EACH UNIT DUCTS, BUT WILL BE PAID FOR THE LENGTH OF THE COMMON TRENCH ONLY.
- WHERE THE CONTRACTOR'S EXCAVATION MEETS AN OBSTRUCTION, THE CONTRACTOR SHALL NOTIFY THE ENGINEER FOR DIRECTION IN WRITING PRIOR TO EXCAVATION. THE CONTRACTOR SHALL RESTORE ANY DAMAGE TO EXISTING SYSTEMS OR UTILITIES AND REMOVE EXISTING OBSTRUCTIONS AND FOUNDATIONS TO THE SATISFACTION OF THE ENGINEER. THIS WORK SHALL BE PAID ACCORDING TO 109.04(B) OF THE IDOT STANDARD SPECIFICATIONS FOR ROAD AND BRIDGE CONSTRUCTION, LATEST EDITION.
- WHEREVER THE TEMPORARY AERIAL CABLE IS REQUIRED TO CROSS AN EXISTING AND/OR PROPOSED ROADWAY, THE CONTRACTOR SHALL MAINTAIN A MINIMUM OF 20 FEET OF VERTICAL CLEARANCE OVER THE ROADWAY AT ALL TIMES.



\* ALL TOWERS POWERED FROM CONTROLLER "A", LOCATED AT STA. 110+95, 80' LT

- LEGEND**
- PROPOSED 100 M.H. HIGH MAST TOWER WITH 4 400W HPS LUMINAIRES
  - PROPOSED 100 M.H. HIGH MAST TOWER WITH 6 400W HPS LUMINAIRES
  - PROPOSED 50' M.H. LIGHT POLE WITH 400W HPS M-C-III TYPE LUMINAIRE AND 15' DAVIT ARM
  - PROPOSED COMBINATION POLE WITH 15' DAVIT ARM AND 400W M-C-III TYPE LUMINAIRE MOUNTED AT 45' (SEE TRAFFIC SIGNAL PLANS FOR EXACT POLE LOCATION)
  - PROPOSED 150W UNDERPASS LUMINAIRE
  - PROPOSED 480V LIGHTING CONTROLLER, SINGLE PHASE, 60 HZ
  - PROPOSED POLE MOUNTED ELECTRICAL SERVICE, SINGLE PHASE, 3 WIRE
  - PROPOSED JUNCTION BOX, SIZE AS NOTED
  - UNIT DUCT IN PUSHED CONDUIT, SIZE AS NOTED
  - PROPOSED UNIT DUCT IN TRENCH, SIZE AS NOTED
  - PROPOSED CONDUIT EMBEDDED IN STRUCTURE, SIZE AS NOTED
  - EXISTING LIGHT POLE
  - UNIT DUCT, 600V, 2-1C NO.2, 1/C NO.2 GROUND, (XLP-TYPE USE), 1/4" DIA. POLYETHYLENE
  - UNIT DUCT, 600V, 2-1C NO.4, 1/C NO.4 GROUND, (XLP-TYPE USE), 1" DIA. POLYETHYLENE
  - UNIT DUCT, 600V, 2-1C NO.6, 1/C NO.6 GROUND, (XLP-TYPE USE), 1" DIA. POLYETHYLENE
  - UNIT DUCT, 600V, 2-1C NO.8, 1/C NO.8 GROUND, (XLP-TYPE USE), 3/4" DIA. POLYETHYLENE
  - UNIT DUCT, 600V, 2-1C NO.10, 1/C NO.10 GROUND, (XLP-TYPE USE), 3/4" DIA. POLYETHYLENE
  - IMC INTERMEDIATE METAL CONDUIT
  - RGS RIGID GALVANIZED STEEL
  - ATS ATTACHED TO STRUCTURE

**HIGHWAY STANDARD**

- 825016 LIGHTING CONTROLLER 480V, PEDESTAL MOUNTED
- 825026 LIGHTING CONTROLLER 480V, BASE MOUNTED
- 836001 LIGHT POLE FOUNDATION
- 837001 LIGHT TOWER FOUNDATION

**LIGHTING REQUIREMENTS (FOR INFORMATION ONLY)**

	ILLUMINANCE		LUMINANCE			Maximum Lv to Lavg Ratio
	Average Illuminance (lux)	Uniformity (Avg To Min)	Average luminance (cd/sq. m)	Uniformity (Avg To Min)	Uniformity (Max To Min)	
Interstate 80 Ramps	9.0	3.0	0.6	3.5	6.0	0.3
Brisbin Road	9.0	3.0	0.6	3.5	6.0	0.3
US Route 6	9.0	3.0	0.6	3.5	6.0	0.3

**SCHEDULE OF QUANTITIES**

PAY ITEM	DESCRIPTION	UNIT	QUANTITY
50200400	ROCK EXCAVATION FOR STRUCTURES	CU YD	2
80400100	ELECTRIC SERVICE INSTALLATION	EACH	2
81018500	CONDUIT PUSHED, 2" DIA., GALVANIZED STEEL	FOOT	55
81020500	CONDUIT PUSHED, 2" DIA., INTERMEDIATE METAL	FOOT	840
81020700	CONDUIT PUSHED, 3" DIA., INTERMEDIATE METAL	FOOT	145
81020900	CONDUIT PUSHED, 4" DIA., INTERMEDIATE METAL	FOOT	85
81100600	CONDUIT ATTACHED TO STRUCTURE, 2" DIA., GALVANIZED STEEL	FOOT	20
81200120	CONDUIT EMBEDDED IN STRUCTURE, 2" DIA., GALVANIZED STEEL	FOOT	15
81300530	JUNCTION BOX, STAINLESS STEEL, ATTACHED TO STRUCTURE, 12" X 10" X 6"	EACH	1
81300550	JUNCTION BOX, STAINLESS STEEL, ATTACHED TO STRUCTURE, 12" X 12" X 6"	EACH	8
81603010	UNIT DUCT, 600V, 2-1C NO.10, 1/C NO.10 GROUND, (XLP-TYPE USE), 3/4" DIA. POLYETHYLENE	FOOT	5865
81603000	UNIT DUCT, 600V, 2-1C NO.8, 1/C NO.8 GROUND, (XLP-TYPE USE), 3/4" DIA. POLYETHYLENE	FOOT	1040
81603025	UNIT DUCT, 600V, 2-1C NO.4, 1/C NO.4 GROUND, (XLP-TYPE USE), 1" DIA. POLYETHYLENE	FOOT	8350
81603035	UNIT DUCT, 600V, 2-1C NO.6, 1/C NO.6 GROUND, (XLP-TYPE USE), 1" DIA. POLYETHYLENE	FOOT	2160
81603065	UNIT DUCT, 600V, 2-1C NO.2, 1/C NO.2 GROUND, (XLP-TYPE USE), 1 1/4" DIA. POLYETHYLENE	FOOT	3820
81702140	ELECTRIC CABLE IN CONDUIT, 600V (XLP-TYPE USE) 1/C NO. 4	FOOT	470
81702150	ELECTRIC CABLE IN CONDUIT, 600V (XLP-TYPE USE) 1/C NO. 2	FOOT	455
81900200	TRENCH AND BACKFILL FOR ELECTRICAL WORK	FOOT	16005
82102400	LUMINAIRE, SODIUM VAPOR, HORIZONTAL MOUNT, 400 WATT	EACH	26
82105600	LUMINAIRE, SODIUM VAPOR, HIGH MAST, HORIZONTAL MOUNT, 400 WATT	EACH	110
82107300	UNDERPASS LUMINAIRE, 150 WATT, HIGH PRESSURE SODIUM VAPOR	EACH	4
82500340	LIGHTING CONTROLLER, PEDESTAL MOUNTED, 480VOLT, 60AMP	EACH	1
82500380	LIGHTING CONTROLLER, BASE MOUNTED, 480VOLT, 200AMP	EACH	1
83004600	LIGHT POLE, ALUMINUM, 50 FT. M.H., 15 FT. DAVIT ARM	EACH	22
83502300	LIGHT TOWER, 100 FT. MOUNTING HEIGHT, LUMINAIRE MT. - 4	EACH	2
83502400	LIGHT TOWER, 100 FT. MOUNTING HEIGHT, LUMINAIRE MT. - 6	EACH	17
83600300	LIGHT POLE FOUNDATION, 30" DIAMETER	FOOT	154
83700300	LIGHT TOWER FOUNDATION, 48" DIAMETER	FOOT	261
83800205	BREAKAWAY DEVICE, TRANSFORMER BASE, 15 INCH BOLT CIRCLE	EACH	22
84400115	RELOCATION OF EXISTING LIGHTING UNIT	L SUM	1

\* FAI 80 & FAS 297 / FAU 392

E-1

FILE NAME ...D366408-shr-Lightgennote.dgn	USER NAME =	DESIGNED - RDP/JH	REVISED -	<b>STATE OF ILLINOIS DEPARTMENT OF TRANSPORTATION</b>	<b>LIGHTING GENERAL NOTES AND LEGEND</b>	F.A.U. RTE.	SECTION	COUNTY	TOTAL SHEETS	SHEET NO.
		DRAWN - RDP	REVISED -			(32,47-4) HBK-4 & (GN)	GRUNDY	351	167	
		CHECKED - JH/JDM	REVISED -			PROJECT 91-034-07/91-153-80	JOB NO. D-93-011-04	CONTRACT NO. 66408		
		PLOT SCALE = 1:50	REVISED -			SCALE: NONE	SHEET NO. 1 OF 15 SHEETS	STA. TO STA.	FED. ROAD DIST. NO. ILLINOIS FED. AID PROJECT	
		PLOT DATE = 5/4/2010	DATE - 04/30/2010	REVISED -						