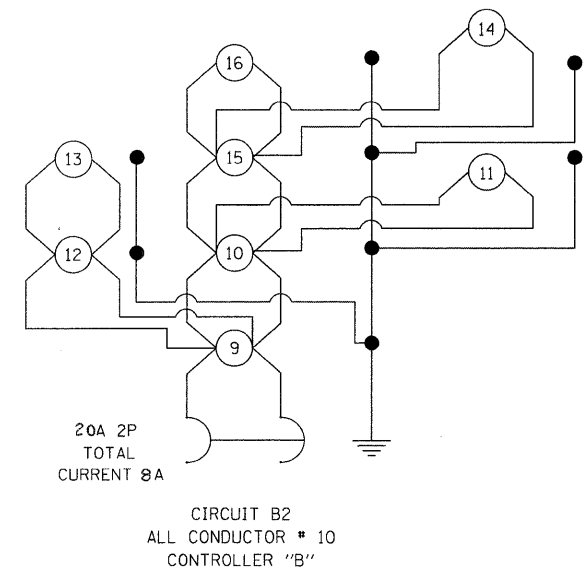
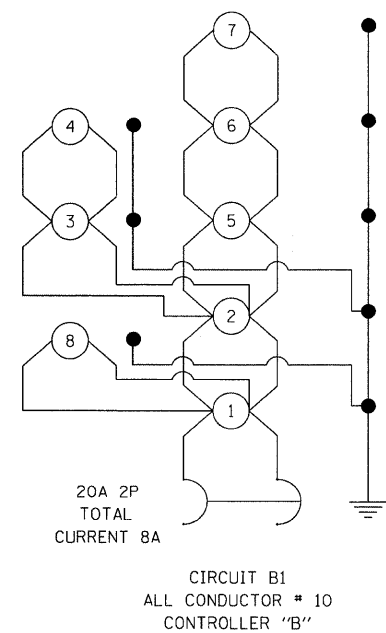


**LEGEND**

- 400W HPS LUMINAIRE
- ⚡ INDICATES LUMINAIRES PER TOWER
- ⬆️ # 400W HPS TOWER LUMINAIRE
- △ 150W HPS UNDERPASS LUMINAIRE

**NOTE**  
 1. THE CONTRACTOR SHALL FURNISH AND INSTALL A LIGHT POLE IDENTIFICATION ON EACH NEW LIGHT POLE AS SPECIFIED IN ARTICLE 1069.06 OF THE IDOT STANDARD SPECIFICATIONS FOR ROAD AND BRIDGE CONSTRUCTION. THE LOCATION NUMBER FOR I-80 AND BRISBIN ROAD IS 130. THIS WORK IS INCIDENTAL TO THE RESPECTIVE LIGHT POLE PAY ITEM.



FILE NAME ...D366408-sht-Light8.dgn	USER NAME =	DESIGNED - RDP/JH	REVISED -	<b>STATE OF ILLINOIS DEPARTMENT OF TRANSPORTATION</b>	<b>WIRING DIAGRAM</b>		F.A.U. RTE.	SECTION	COUNTY	TOTAL SHEETS	SHEET NO.
	PLOT SCALE = 1:50	DRAWN - RDP	REVISED -		PROJECT 91-034-07/91-153-80	JOB NO. D-93-011-04	(32,47-4) HBK-4 & (G)N	GRUNDY	351	175	
	PLOT DATE = 5/4/2010	CHECKED - JH/JDM	REVISED -		SCALE: NONE	SHEET NO. 9 OF 15 SHEETS	STA. TO STA.	CONTRACT NO. 66408		FED. ROAD DIST. NO.	ILLINOIS FED. AID PROJECT