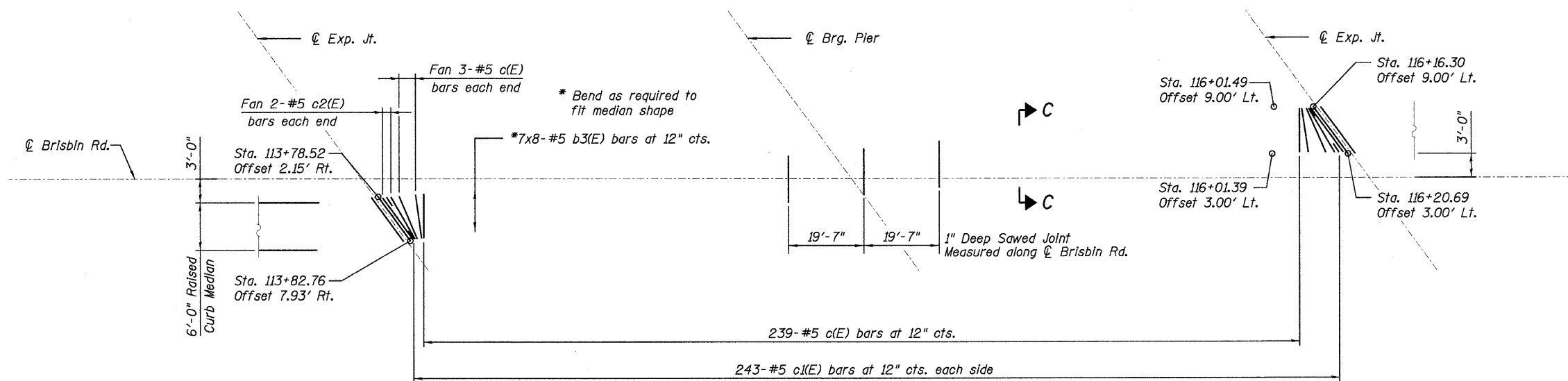
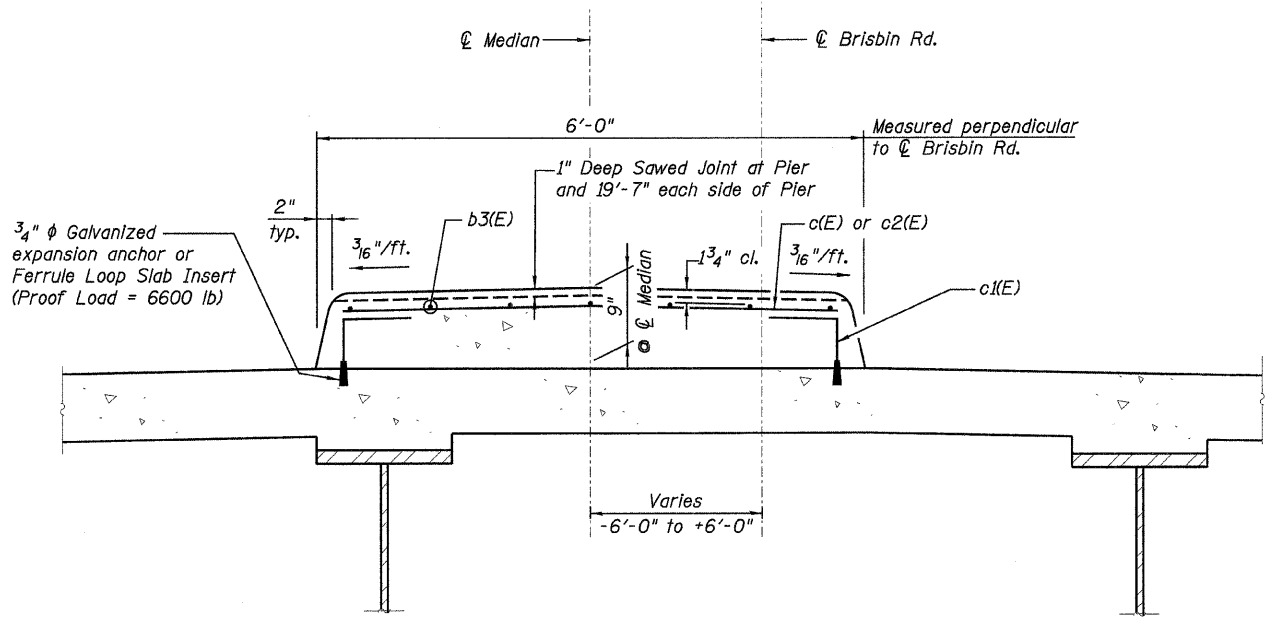


STATE OF ILLINOIS  
DEPARTMENT OF TRANSPORTATION



RAISED CURB MEDIAN PLAN



SECTION C-C

Note  
Cost of expansion anchors/Inserts is included  
with Reinforcement Bars, Epoxy Coated.

SUPERSTRUCTURE DETAILS I  
STRUCTURE NO. 032-0115

DESIGNED - B J N
CHECKED - C M M
DRAWN - G J S
CHECKED - C M M

**LOCHNER**  
H.W. LOCHNER, INC.  
CONSULTING ENGINEERS & PLANNERS  
20 NORTH WACKER DRIVE SUITE 1200  
CHICAGO, IL 60606

SHEET NO. 13 OF 31 SHEETS	RTE.	SECTION	COUNTY	TOTAL SHEETS	SHEET NO.
	*	(32, 47-4) HBK-4 & (G)N	GRUNDY	351	295
CONTRACT NO. 66408					
FED. ROAD DIST. NO. - ILLINOIS FED. AID PROJECT					

\* FAI 80 & FAS 297 / FAU 392

t:\2608-bris\struct\dgn\0320058-66408-013-SD01.dgn