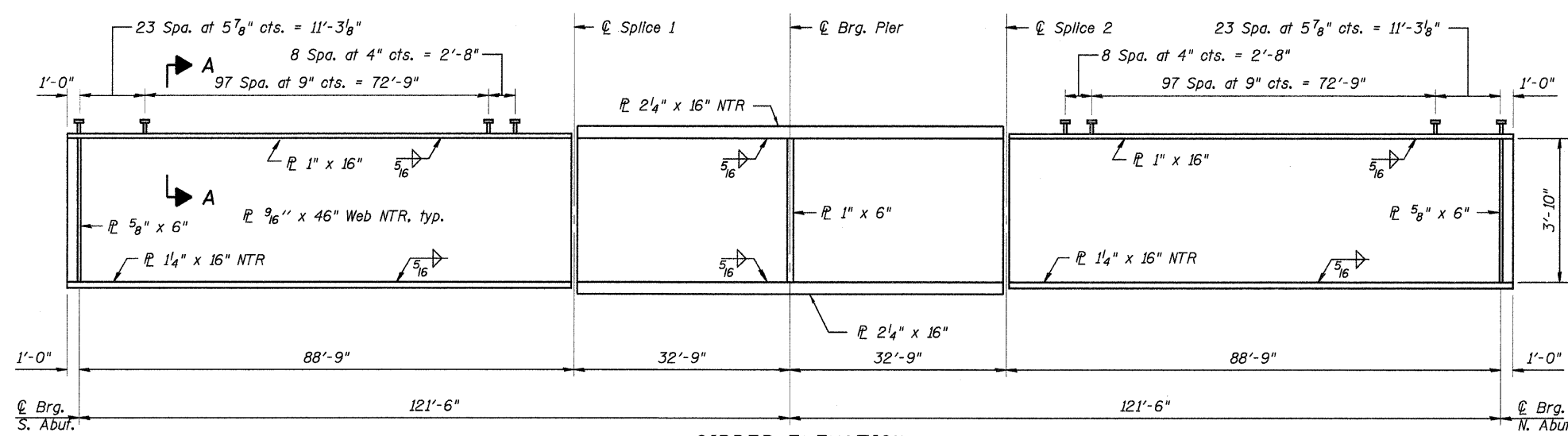
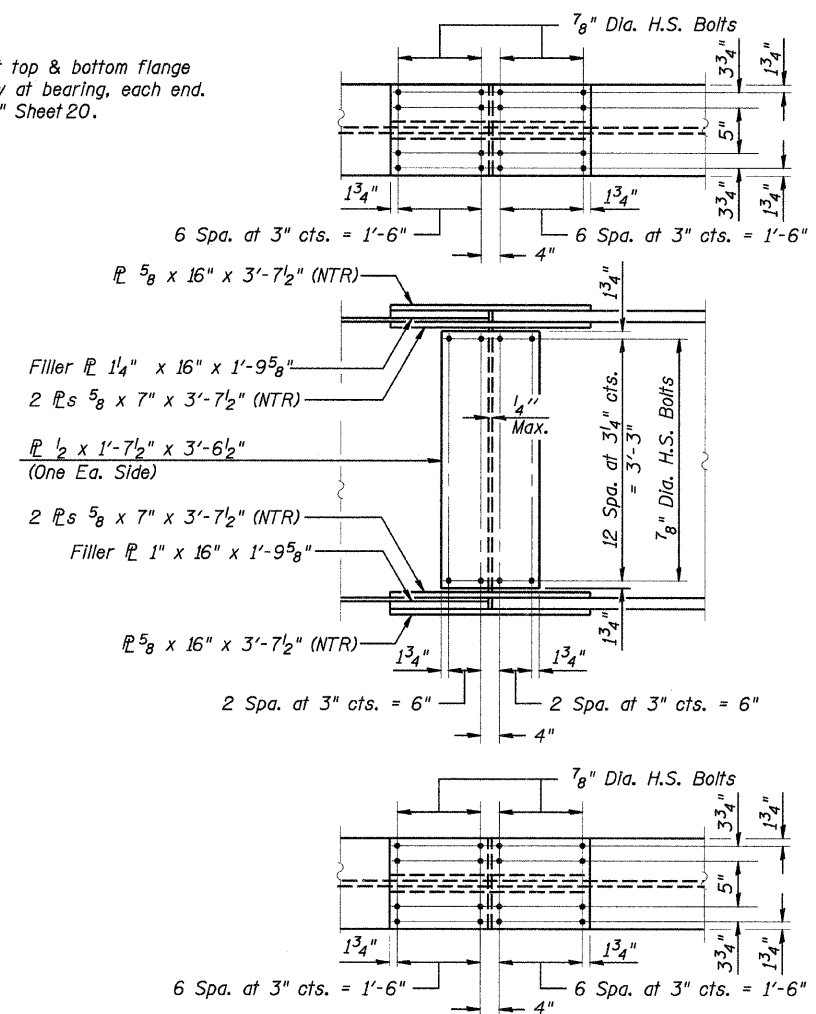
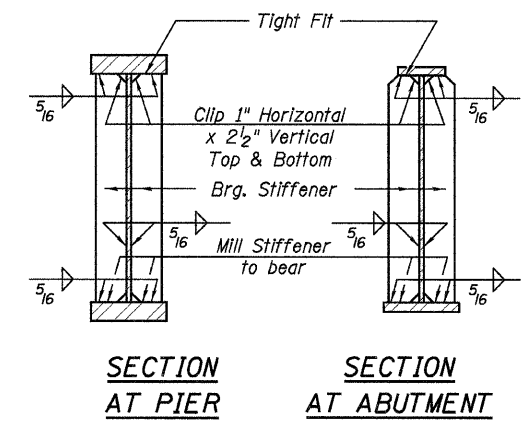
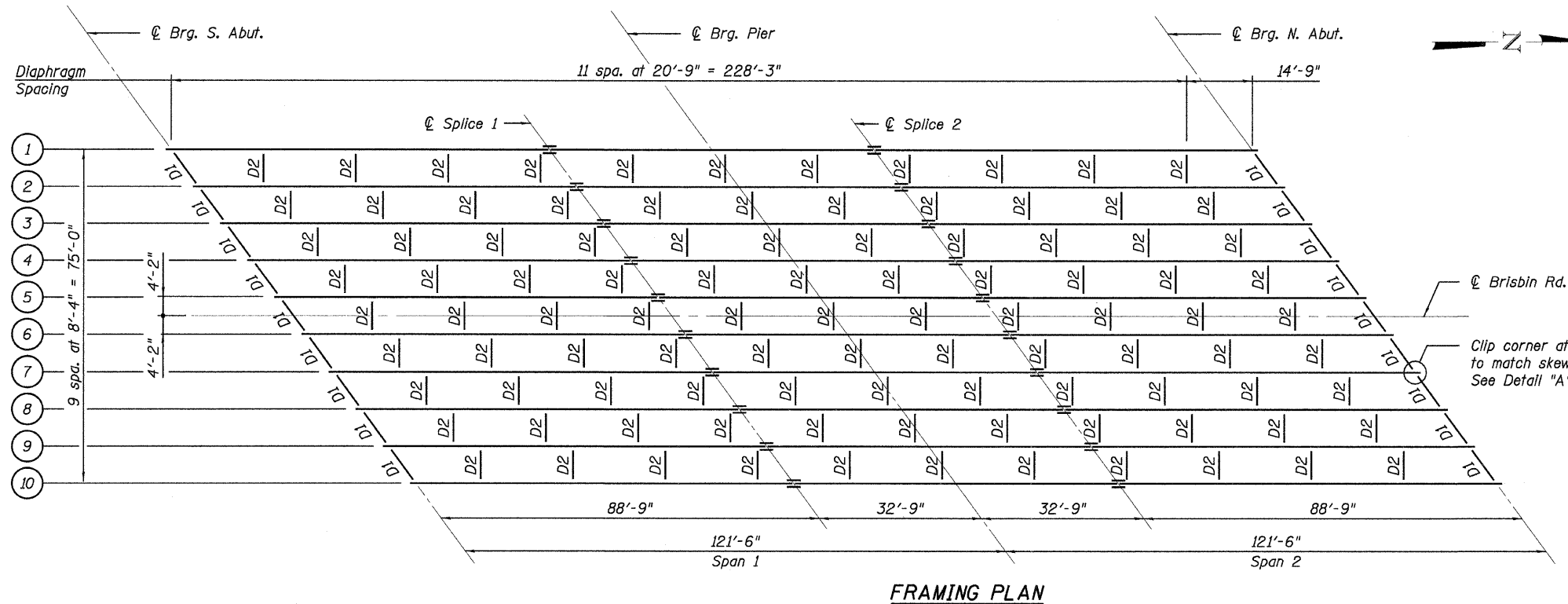


STATE OF ILLINOIS
DEPARTMENT OF TRANSPORTATION



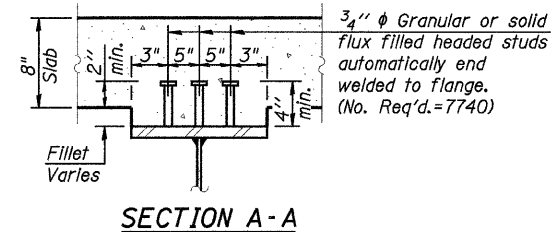
GIRDER ELEVATION
"NTR" denotes plates to which notch toughness requirements are applicable.

BILL OF MATERIAL

ITEM	UNIT	TOTAL
Stud Shear Connectors	Each	7740

FIELD SPLICE DETAIL

**FRAMING PLAN & DETAILS
STRUCTURE NO. 032-0115**



- Notes**
- All cross frames or diaphragms between beams or girders shall be installed as steel is erected and secured with erection pins and bolts except as otherwise noted. Individual cross frames or diaphragms at supports may be temporarily disconnected to install bearing anchor rods.
 - Load carrying components designated "NTR" shall conform to the Supplemental Requirements for Notch Toughness, Zone 2.

LOCHNER
H.W. LOCHNER, INC.
CONSULTING ENGINEERS & PLANNERS
20 NORTH WACKER DRIVE SUITE 1200
CHICAGO, IL 60606

SHEET NO.	RTE.	SECTION	COUNTY	TOTAL SHEETS	SHEET NO.
19 OF 31 SHEETS	*	(32, 47-4) HBK-4 & (G)N	GRUNDY	351	301
CONTRACT NO. 66408					
FED. ROAD DIST. NO. ILLINOIS FED. AID PROJECT					
* FAI 80 & FAS 297 / FAU 392					

t:\2608-bris\struct\dgn\0320058-66408-019-ST01.dgn

DESIGNED - DWH
CHECKED - JSD
DRAWN - GJS
CHECKED - JSD