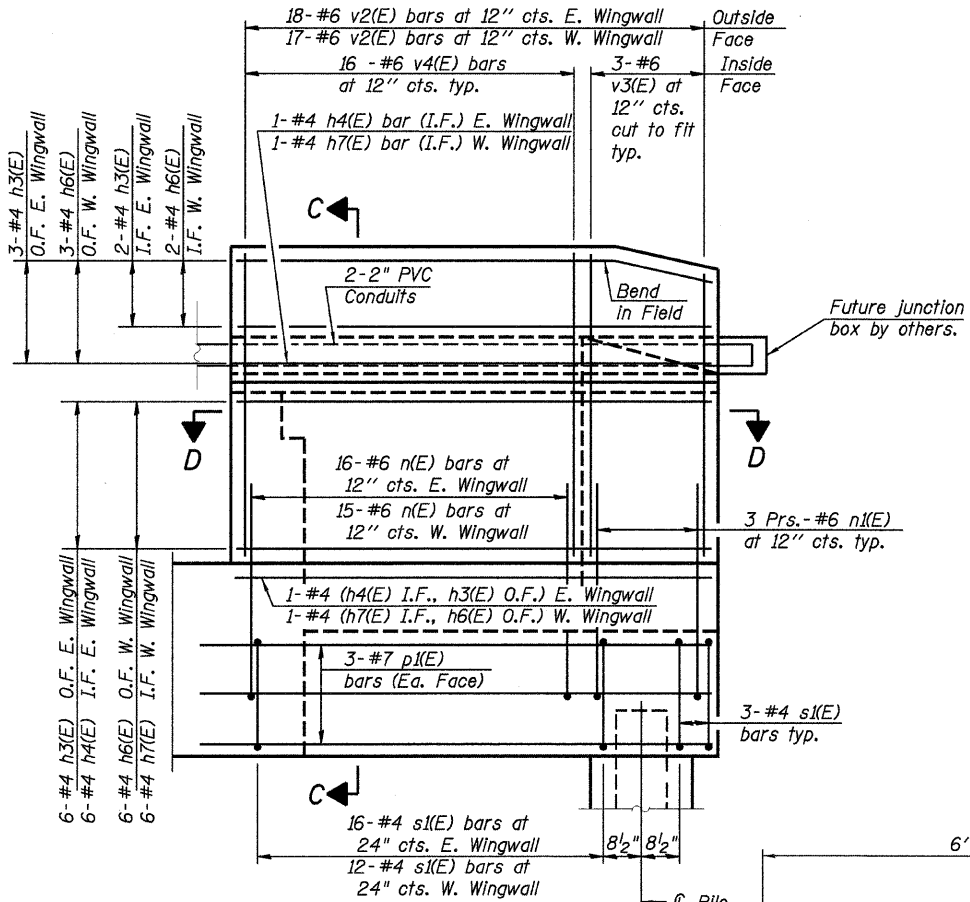
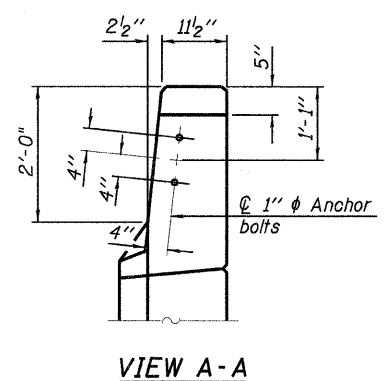


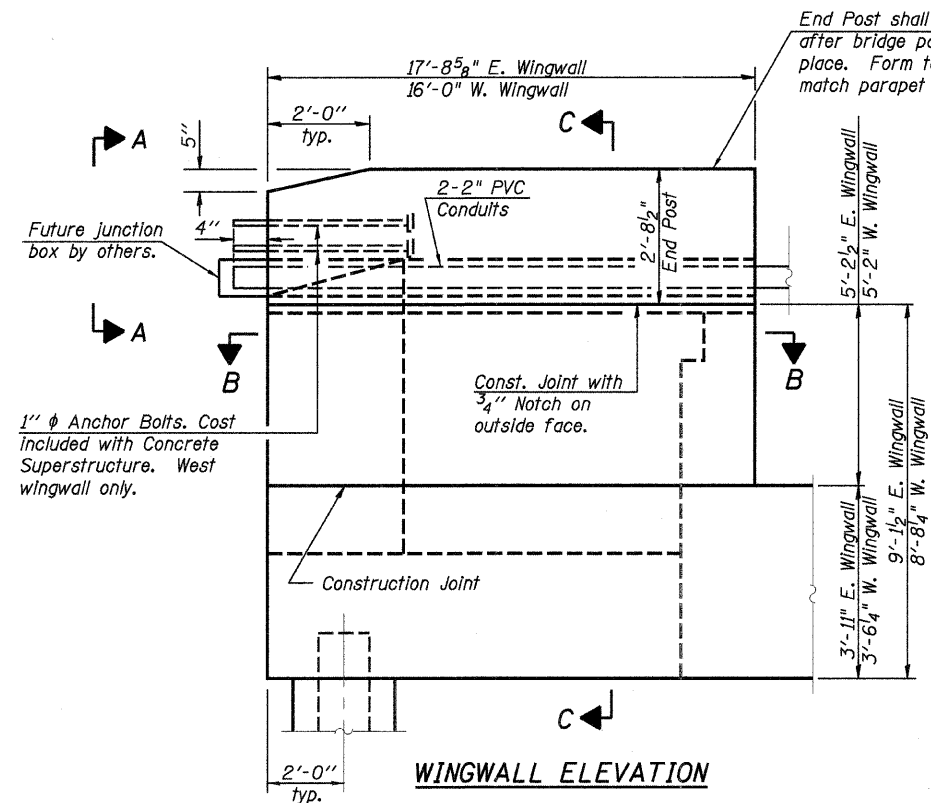
STATE OF ILLINOIS
DEPARTMENT OF TRANSPORTATION



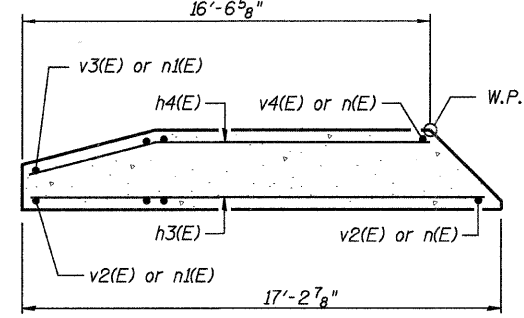
WINGWALL ELEVATION



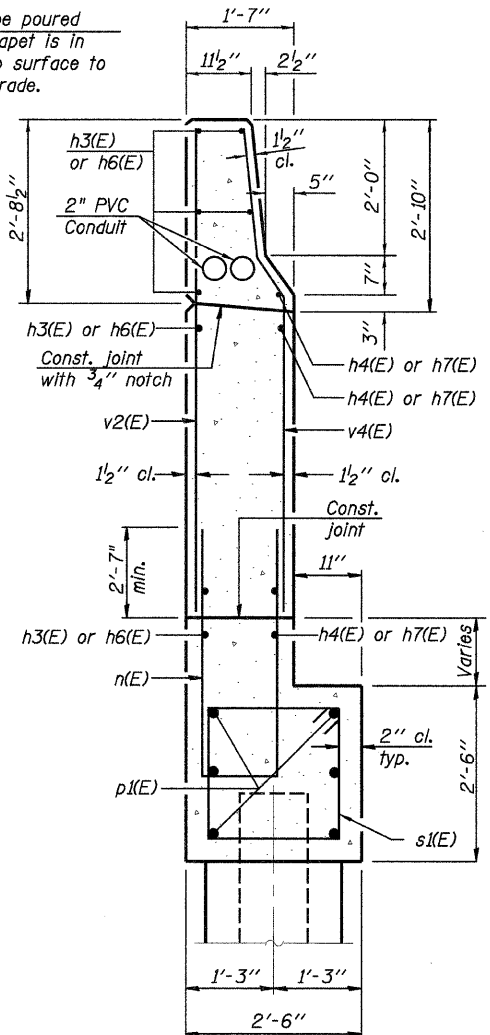
VIEW A-A



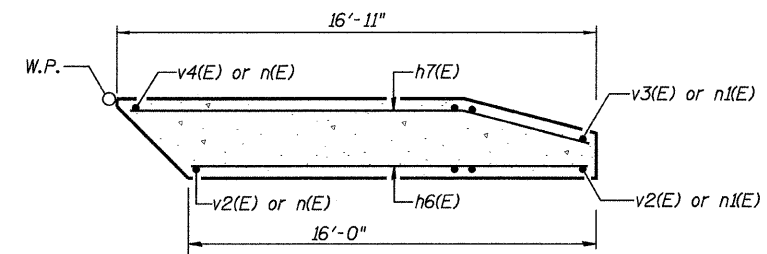
WINGWALL ELEVATION



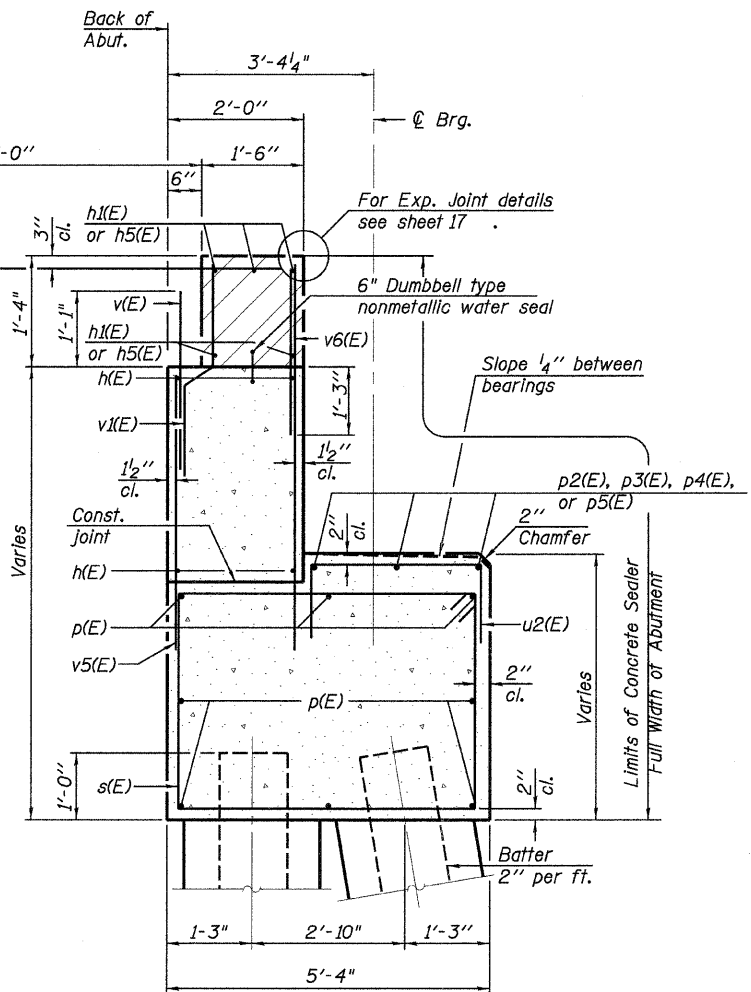
SECTION B-B
Showing E. Wingwall Reinforcement



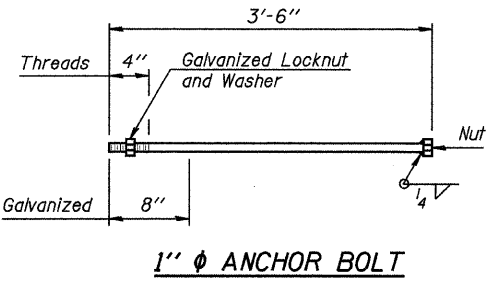
SECTION C-C



SECTION D-D
Showing E. Wingwall Reinforcement
(for reinforcement in W. Wingwall see Section B-B.)



SEC. THRU ABUT.



1" diameter ANCHOR BOLT

- Notes
- Hatched area to be poured after superstructure false work has been removed. Quantity of concrete included with Concrete Superstructure.
 - Space reinforcement in cap to miss anchor bolts.
 - Pour steps monolithically with cap.
 - Quantity of concrete in end post included with Concrete Superstructure on sheet 14.
 - For Concrete Encasement details, see sheet 28.
 - Cost of Conduit included with Conduit Embedded in Structure, 2" Dia. PVC.

SOUTH ABUTMENT SECTIONS & DETAILS
STRUCTURE NO. 032-0115

DESIGNED - MWM
CHECKED - JSD
DRAWN - MWM
CHECKED - JSD

LOCHNER
H.W. LOCHNER, INC.
CONSULTING ENGINEERS & PLANNERS
20 NORTH WACKER DRIVE SUITE 1200
CHICAGO, IL 60606

SHEET NO. 25 OF 31 SHEETS	RTE.	SECTION	COUNTY	TOTAL SHEETS	SHEET NO.
	*	(32, 47-4) HBK-4 & (G)N	GRUNDY	351	307
CONTRACT NO. 66408					
FED. ROAD DIST. NO.		ILLINOIS FED. AID PROJECT			

* FAI 80 & FAS 297 / FAU 392

\\2608-bris\struct\dgn\0320058-66408-025-AD02.dgn