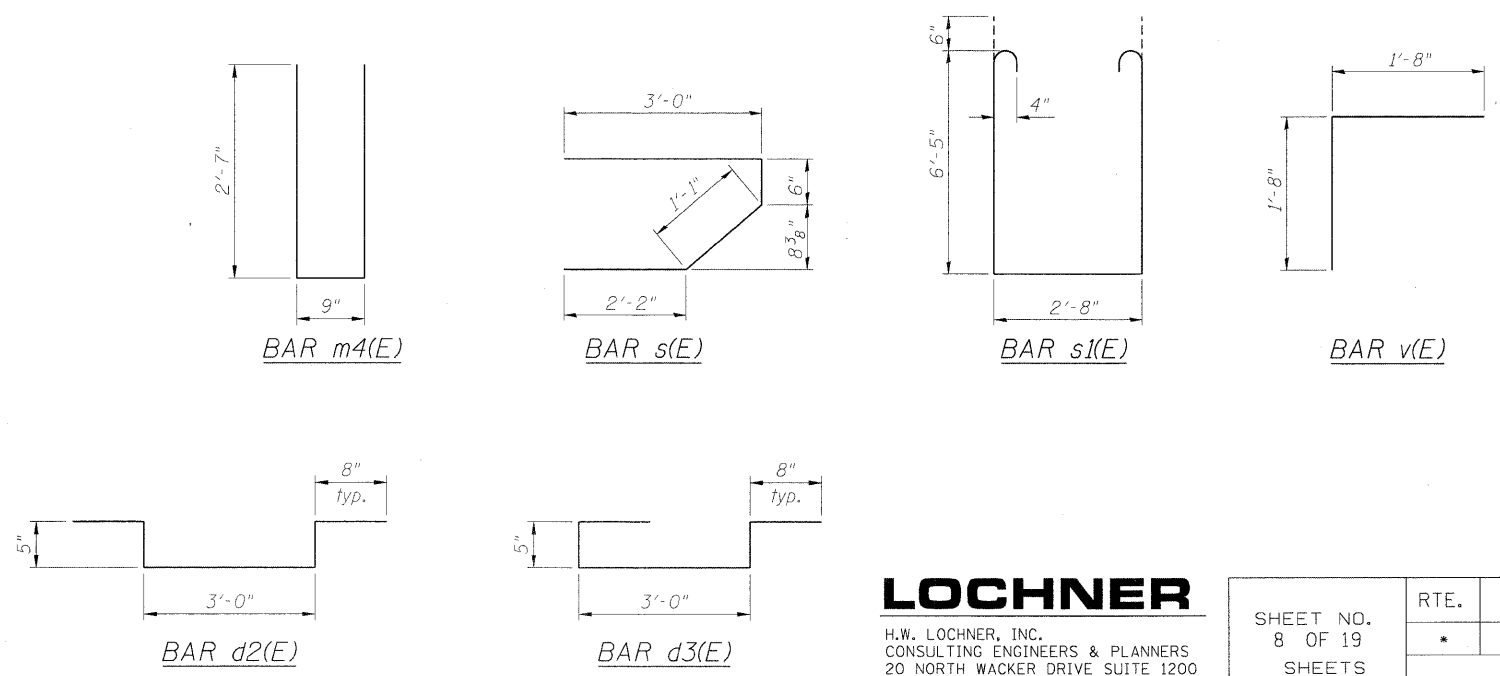
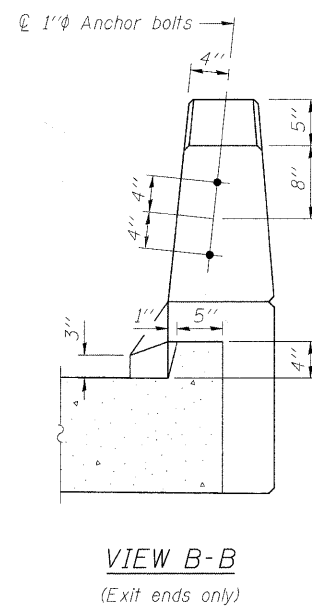
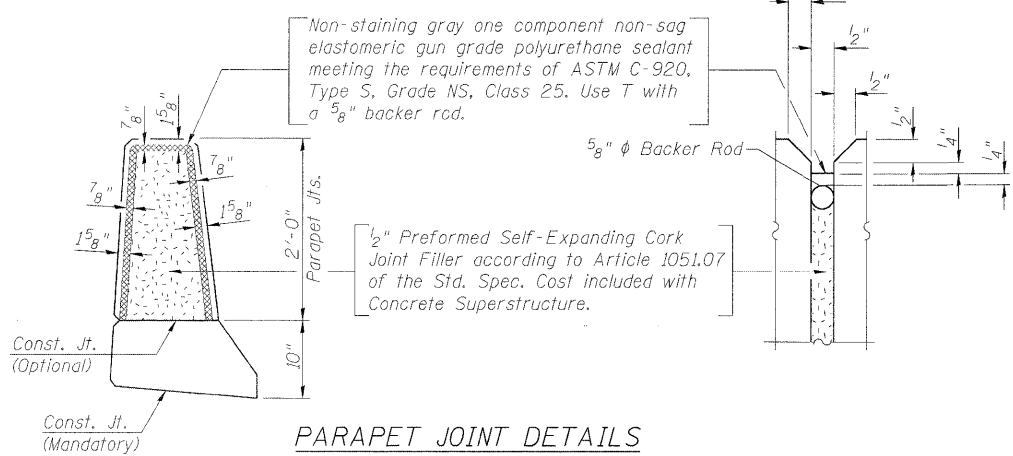
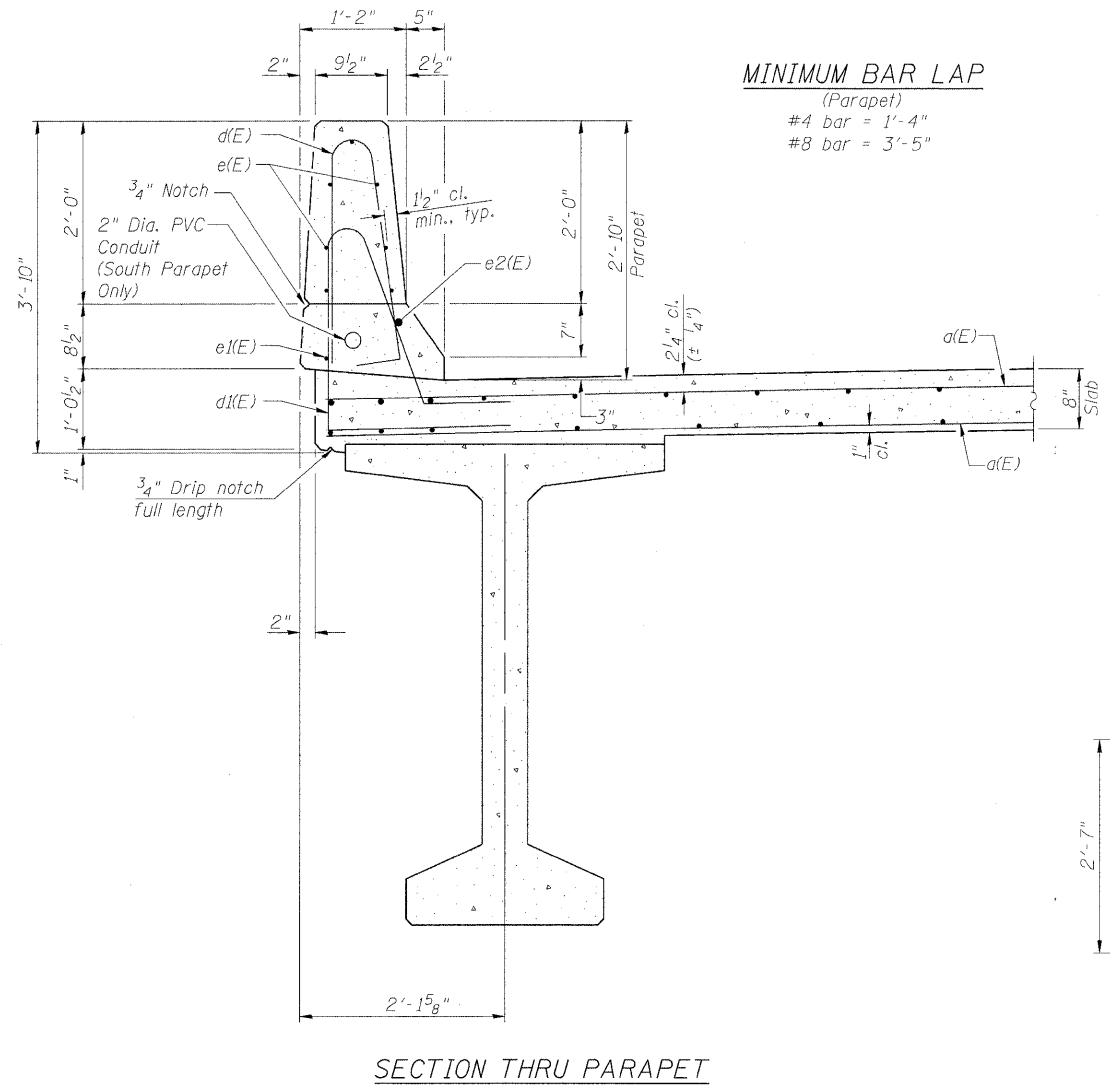
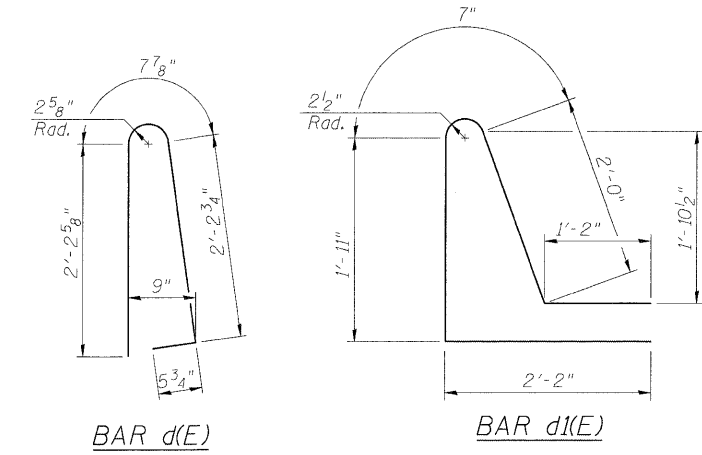
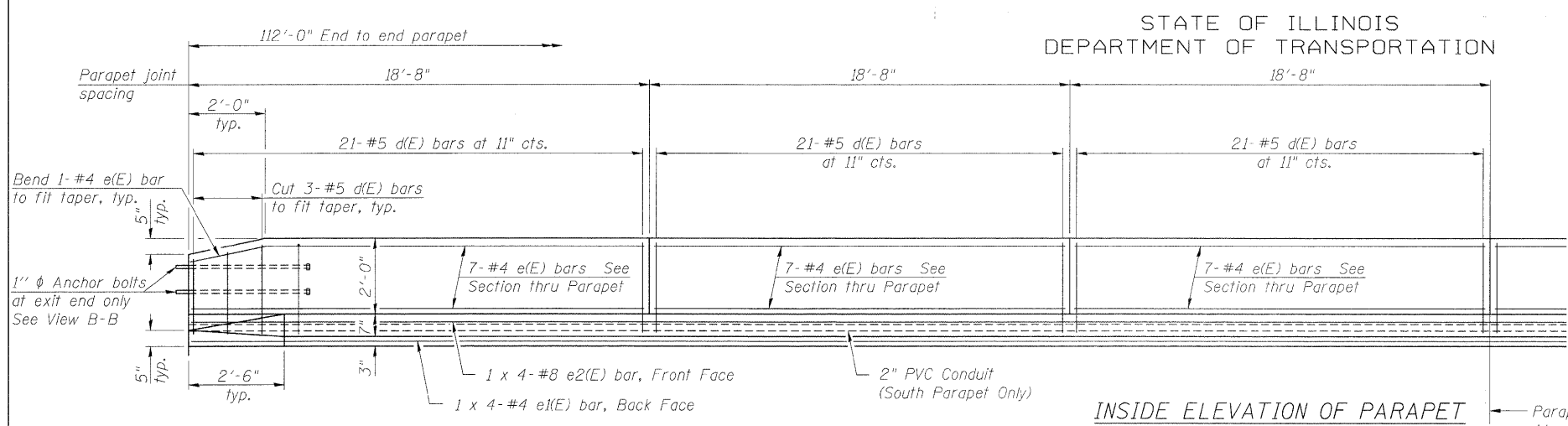


STATE OF ILLINOIS  
DEPARTMENT OF TRANSPORTATION



SUPERSTRUCTURE  
BILL OF MATERIAL

Bar	No.	Size	Length	Shape
d(E)	329	#5	29'-5"	—
a1(E)	4	#5	30'-6"	—
b(E)	132	#5	30'-5"	—
b1(E)	130	#5	25'-0"	—
b2(E)	48	#4	28'-5"	—
d(E)	252	#5	5'-7"	⌒
d1(E)	246	#5	7'-10"	⌒
d2(E)	512	#4	5'-2"	⌒
d3(E)	256	#4	5'-2"	⌒
e(E)	84	#4	18'-4"	—
e1(E)	8	#4	28'-11"	—
e2(E)	8	#8	30'-6"	—
m(E)	4	#6	29'-5"	—
m1(E)	8	#6	30'-10"	—
m2(E)	36	#6	8'-1"	—
m3(E)	10	#6	2'-9"	—
m4(E)	4	#6	5'-11"	⌒
s(E)	58	#5	6'-9"	⌒
s1(E)	24	#4	16'-6"	⌒
v(E)	60	#5	3'-4"	⌒
Reinforcement Bars, Epoxy Coated		Pound	28,620	
Concrete Superstructure		Cu. Yds.	167.8	

Bars indicated thus 1 x 3- #5 etc. indicates 1 line of bars with 3 lengths per line.

SUPERSTRUCTURE DETAILS  
STRUCTURE NO. 032-0117

DESIGNED - LJB
CHECKED - CMM
DRAWN - GJS
CHECKED - CMM

**LOCHNER**  
H.W. LOCHNER, INC.  
CONSULTING ENGINEERS & PLANNERS  
20 NORTH WACKER DRIVE SUITE 1200  
CHICAGO, IL 60606

SHEET NO. 8 OF 19 SHEETS	RTE.	SECTION	COUNTY	TOTAL SHEETS	SHEET NO.
	*	(32,47-4) HBK-4 & G(N)	GRUNDY	351	321
	CONTRACT NO. 66408				
FED. ROAD DIST. NO.		ILLINOIS	FED. AID PROJECT		

\* FAI 80 & FAS 297 / FAU 392

t:\1812\struct\dgn\0320117-66408-008-SD01.dgn