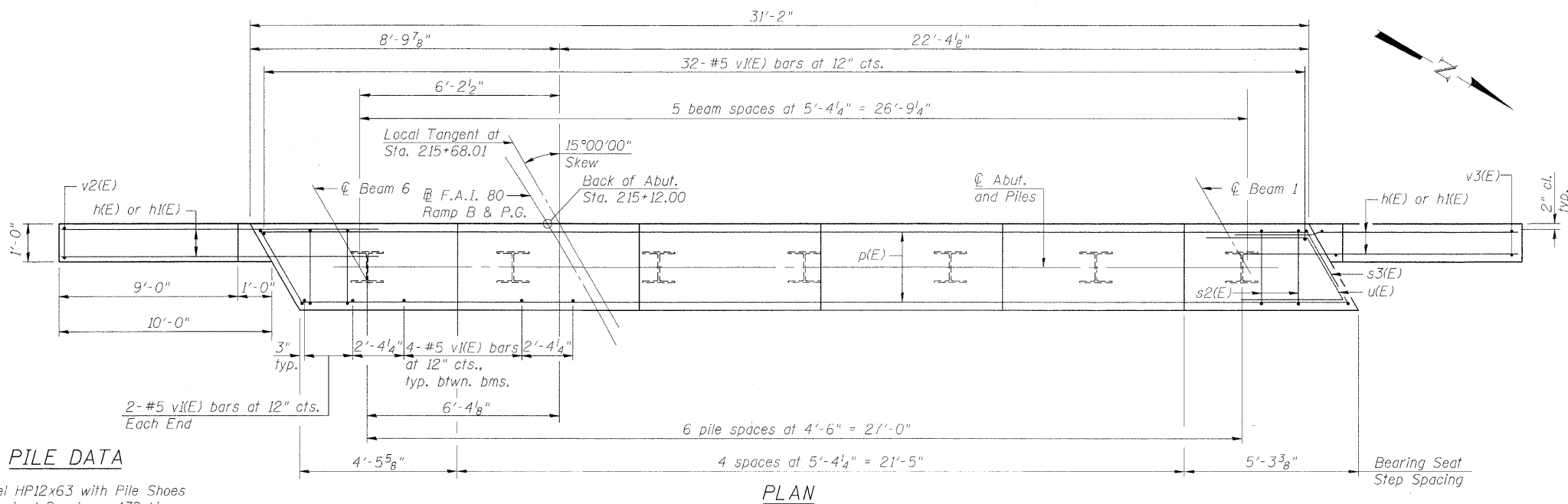
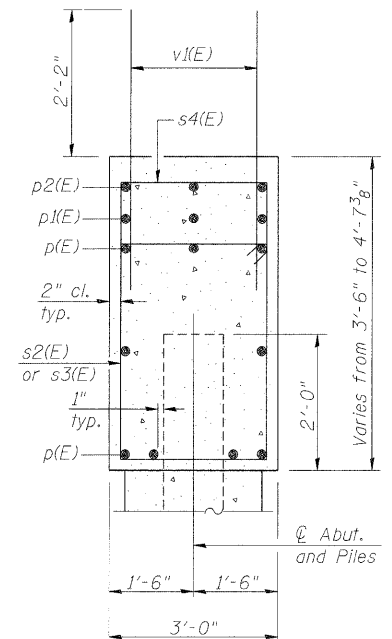
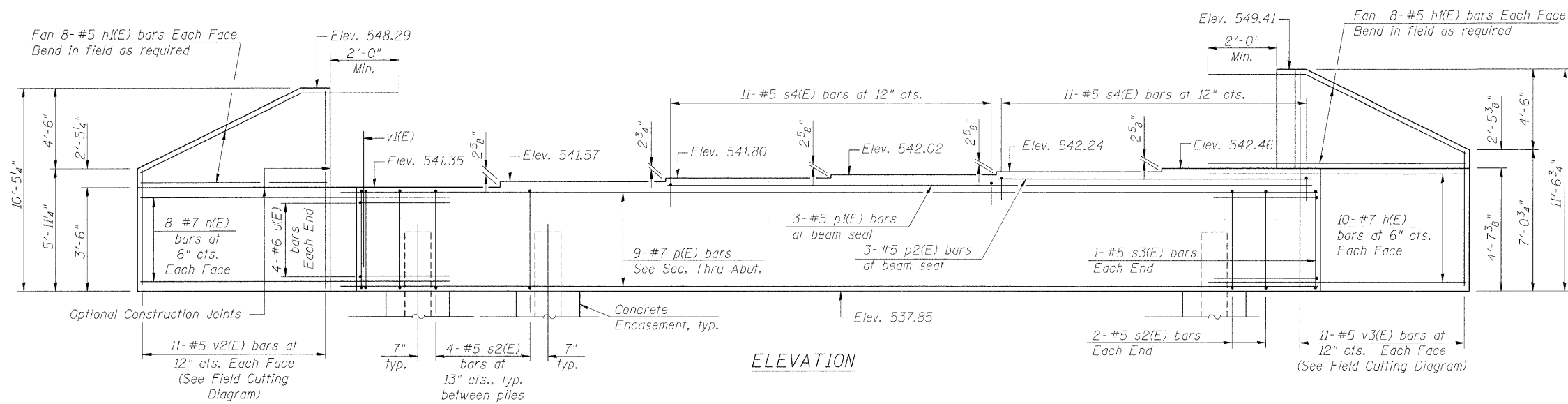


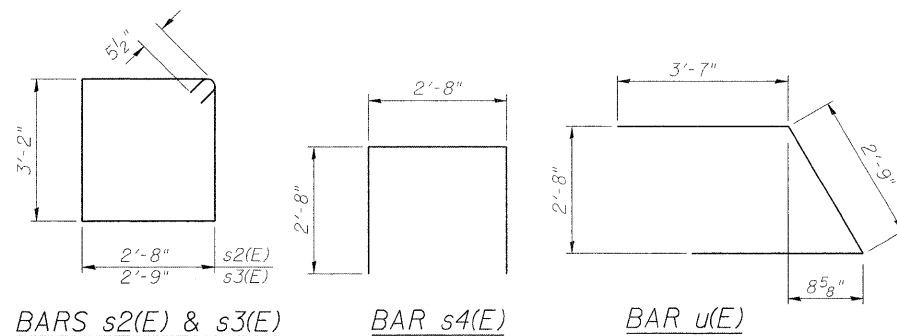
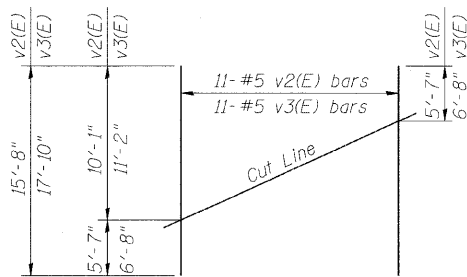
STATE OF ILLINOIS
DEPARTMENT OF TRANSPORTATION

Notes:
Pour steps monolithically with cap.



PILE DATA

Type: Steel HP12x63 with Pile Shoes
Nominal Required Bearing: 479 kips
Factored Resistance Available: 239 kips
Est. Length: 22 ft
No. Production Piles: 6
No. Test Piles: 1



BILL OF MATERIAL

Bar	No.	Size	Length	Shape
h(E)	36	#7	11'-10"	—
h1(E)	32	#5	12'-10"	—
p(E)	9	#7	30'-8"	—
p1(E)	3	#5	20'-3"	—
p2(E)	3	#5	9'-9"	—
s2(E)	28	#5	12'-7"	□
s3(E)	2	#5	12'-9"	□
s4(E)	23	#5	8'-0"	□
u(E)	8	#6	9'-11"	∇
v1(E)	56	#5	4'-4"	—
v2(E)	11	#5	15'-8"	—
v3(E)	11	#5	17'-10"	—
Structure Excavation		Cu. Yd.	3	
Concrete Structures		Cu. Yd.	20.7	
Reinforcement Bars, Epoxy Coated		Pound	3,300	
Furnishing Steel Piles HP12x63		Foot	132	
Driving Piles		Foot	132	
Test Pile Steel HP12x63		Each	1	
Pile Shoes		Each	7	
Concrete Encasement		Cu. Yd.	2.5	

For details of piles and Concrete Encasement, see sheet 16 of 19.

**WEST ABUTMENT PLAN & ELEVATION
STRUCTURE NO. 032-0117**

DESIGNED - BJB
CHECKED - CMM
DRAWN - GJS
CHECKED - CMM

LOCHNER
H.W. LOCHNER, INC.
CONSULTING ENGINEERS & PLANNERS
20 NORTH WACKER DRIVE SUITE 1200
CHICAGO, IL 60606

SHEET NO. 14 OF 19 SHEETS	RTE.	SECTION	COUNTY	TOTAL SHEETS	SHEET NO.
	*	(32,47-4) HBK-4 & G(N)	GRUNDY	351	327
CONTRACT NO. 66408					
FED. ROAD DIST. NO.		ILLINOIS FED. AID PROJECT			

* FAI 80 & FAS 297 / FAU 392