

STATE OF ILLINOIS
DEPARTMENT OF TRANSPORTATION

SOUTH EDGE OF SHOULDER

Location	Station	Offset	Theoretical Grade Elevations
End E. Appr. Pavement	307+75.47	-20.000	546.60
A	307+85.47	-20.000	546.65
B	307+95.47	-20.000	546.70
Bk. E. Abut.	308+05.47	-20.000	546.76
Bk. W. Abut.	309+08.97	-20.000	547.39
C	309+18.97	-20.000	547.45
D	309+28.97	-20.000	547.51
End W. Appr. Pavement	309+38.97	-20.000	547.57

NORTH EDGE OF PAVEMENT, @ F.A.I. 80 RAMP C & P.G.

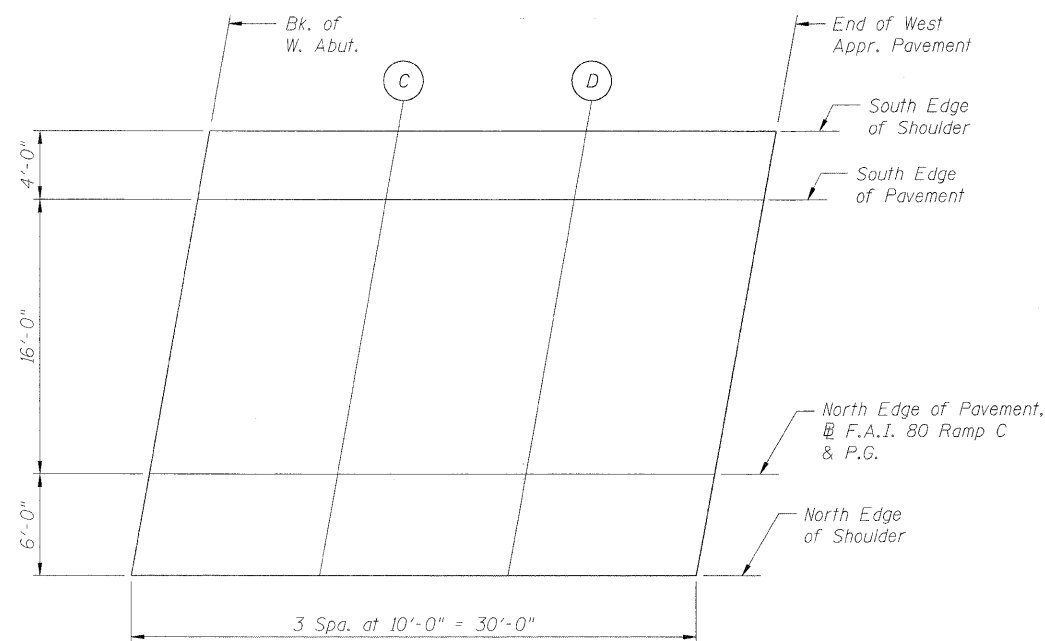
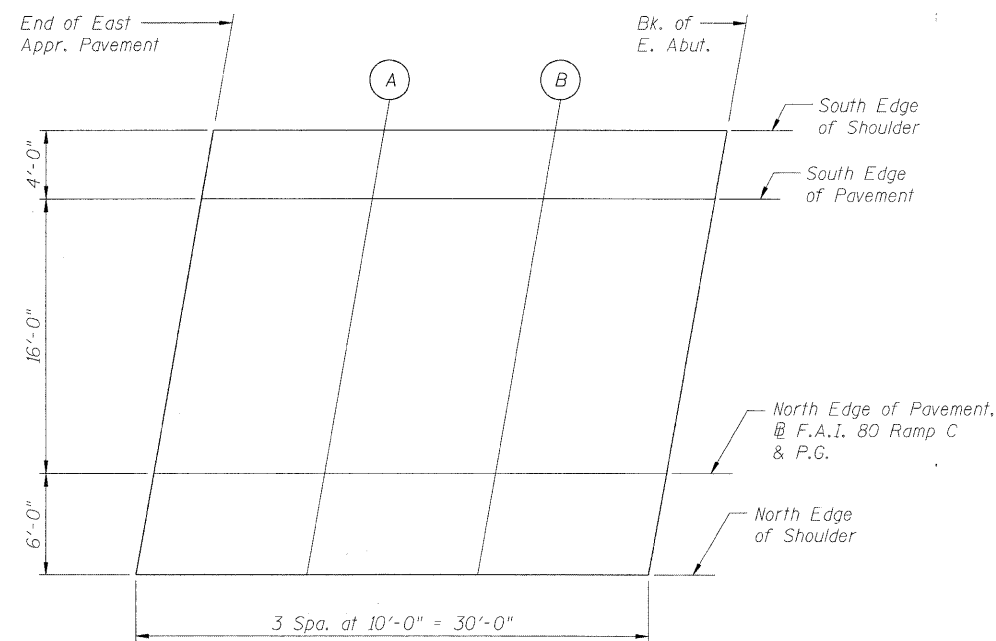
Location	Station	Offset	Theoretical Grade Elevations
End E. Appr. Pavement	307+71.94	0.000	546.17
A	307+81.94	0.000	546.22
B	307+91.94	0.000	546.26
Bk. E. Abut.	308+01.94	0.000	546.32
Bk. W. Abut.	309+05.44	0.000	546.95
C	309+15.44	0.000	547.01
D	309+25.44	0.000	547.07
End W. Appr. Pavement	309+35.44	0.000	547.14

SOUTH EDGE OF PAVEMENT

Location	Station	Offset	Theoretical Grade Elevations
End E. Appr. Pavement	307+74.76	-16.000	546.51
A	307+84.76	-16.000	546.57
B	307+94.76	-16.000	546.61
Bk. E. Abut.	308+04.76	-16.000	546.67
Bk. W. Abut.	309+08.26	-16.000	547.30
C	309+18.26	-16.000	547.36
D	309+28.26	-16.000	547.42
End W. Appr. Pavement	309+38.26	-16.000	547.49

NORTH EDGE OF SHOULDER

Location	Station	Offset	Theoretical Grade Elevations
End E. Appr. Pavement	307+70.88	6.000	546.04
A	307+80.88	6.000	546.09
B	307+90.88	6.000	546.13
Bk. E. Abut.	308+00.88	6.000	546.19
Bk. W. Abut.	309+04.38	6.000	546.82
C	309+14.38	6.000	546.88
D	309+24.38	6.000	546.94
End W. Appr. Pavement	309+34.38	6.000	547.00



PLAN

TOP OF APPROACH SLAB ELEVATIONS
STRUCTURE NO. 032-0118

DESIGNED - LJB
CHECKED - CMM
DRAWN - GJS
CHECKED - CMM

LOCHNER

H.W. LOCHNER, INC.
CONSULTING ENGINEERS & PLANNERS
20 NORTH WACKER DRIVE SUITE 1200
CHICAGO, IL 60606

SHEET NO. 5 OF 19 SHEETS	RTE.	SECTION	COUNTY	TOTAL SHEETS	SHEET NO.
	*	(32,47-4) HBK-4 & G(N)	GRUNDY	351	337
CONTRACT NO. 66408					
FED. ROAD DIST. NO.		ILLINOIS FED. AID PROJECT			

* FAI 80 & FAS 297 / FAU 392