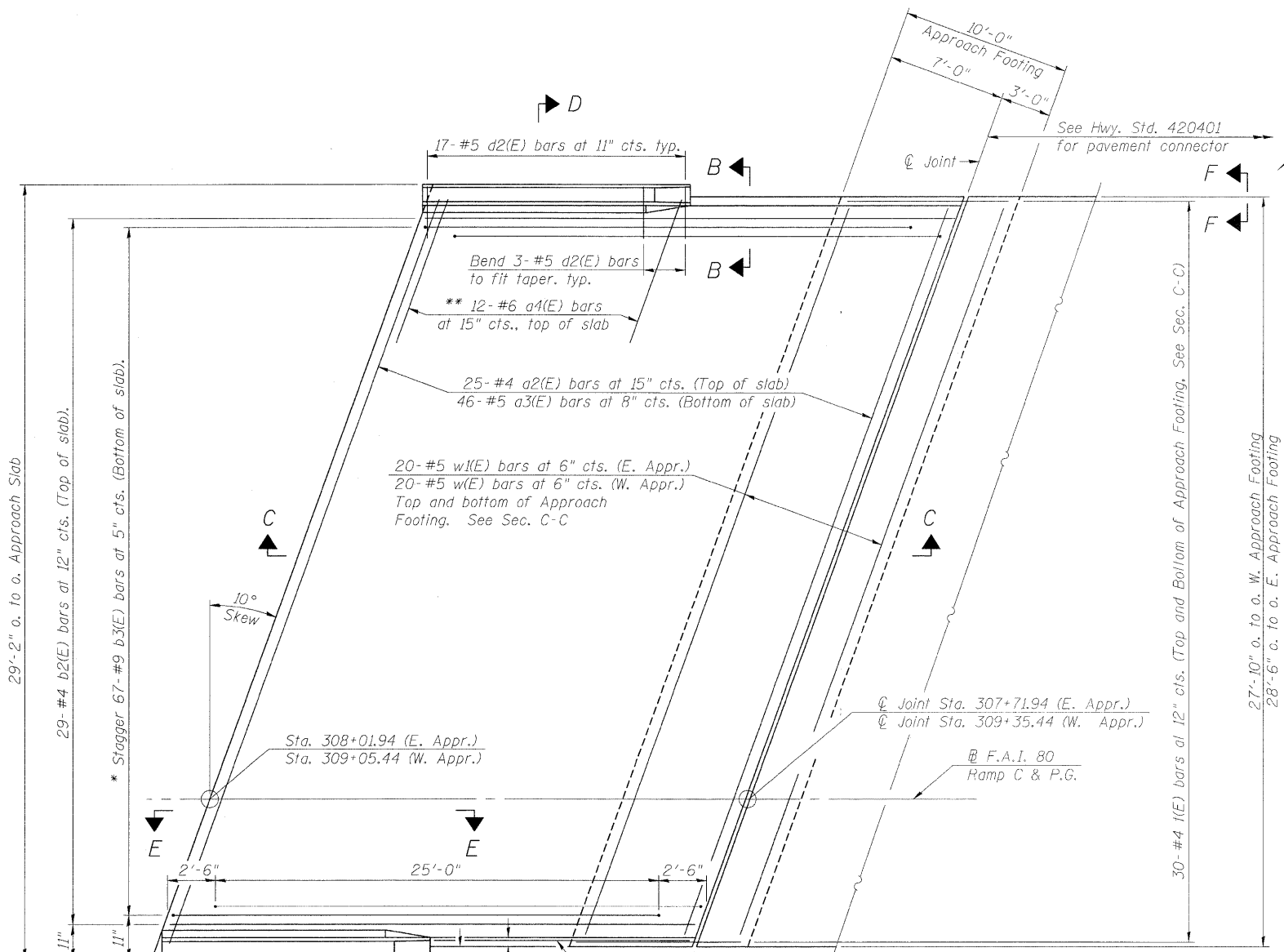
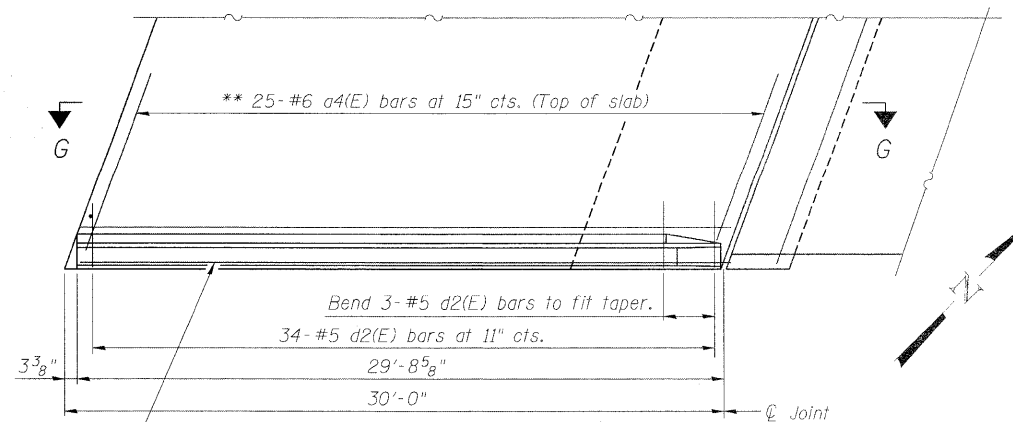


STATE OF ILLINOIS
DEPARTMENT OF TRANSPORTATION

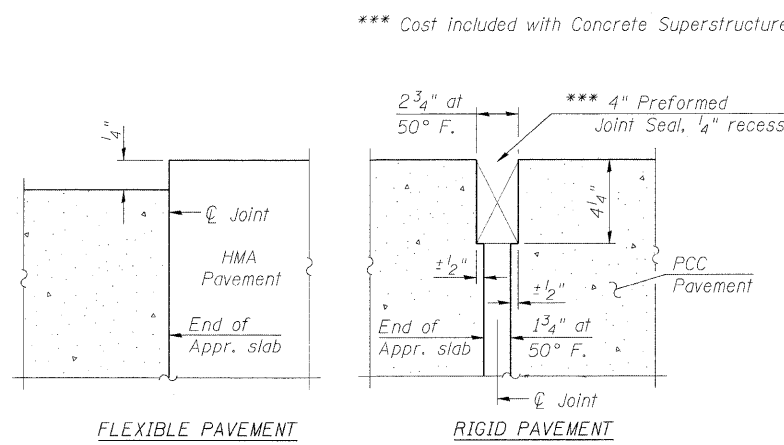
Notes:
See sheet 10 for Sections C-C & D-D and Views E-E and G-G.
a(E), a1(E), and w(E) bar spacings measured perpendicular to \varnothing Rdwy.



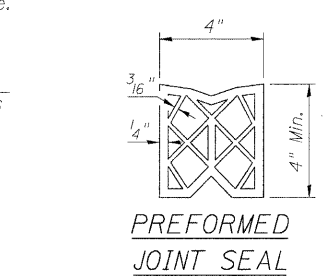
PLAN
(West Approach shown - East Approach similar, opposite hand).



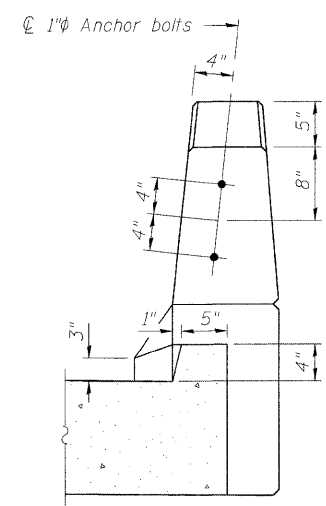
PARTIAL PLAN
(S. Parapet at E. Appr.)



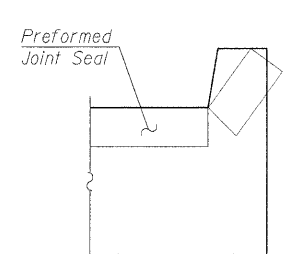
DETAIL A



PREFORMED JOINT SEAL



VIEW B-B
(Exit ends only)



VIEW F-F

Angle Preformed Joint Seal at 45° at curbs when req'd for drainage.

DESIGNED - B J N
CHECKED - C M M
DRAWN - G J S
CHECKED - C M M

LOCHNER
H.W. LOCHNER, INC.
CONSULTING ENGINEERS & PLANNERS
20 NORTH WACKER DRIVE SUITE 1200
CHICAGO, IL 60606

SHEET NO. 9 OF 19 SHEETS	RTE.	SECTION	COUNTY	TOTAL SHEETS	SHEET NO.
	*	(32,47-4) HBK-4 & G(N)	GRUNDY	351	341
CONTRACT NO. 66408					
FED. ROAD DIST. NO.		ILLINOIS FED. AID PROJECT			

* FAI 80 & FAS 297 / FAU 392

t:\1812\struct\dgn\0320118-66408-009-BA01.dgn