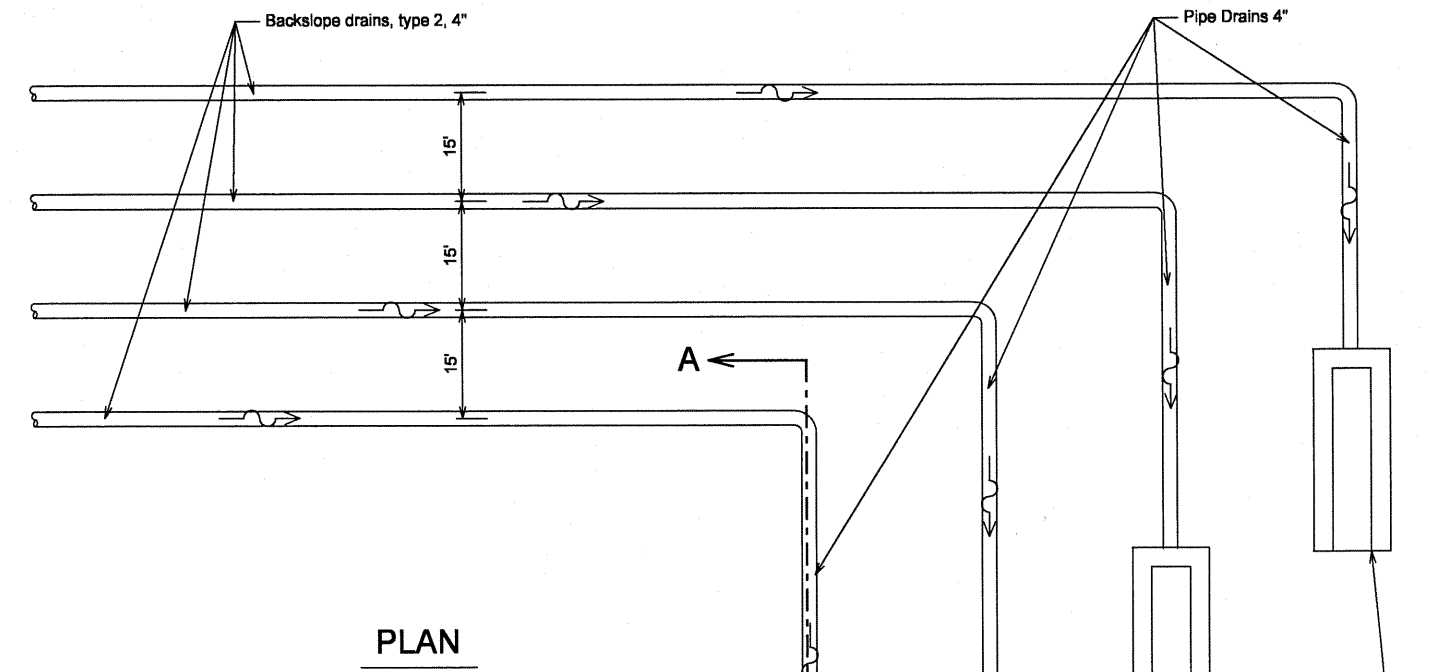
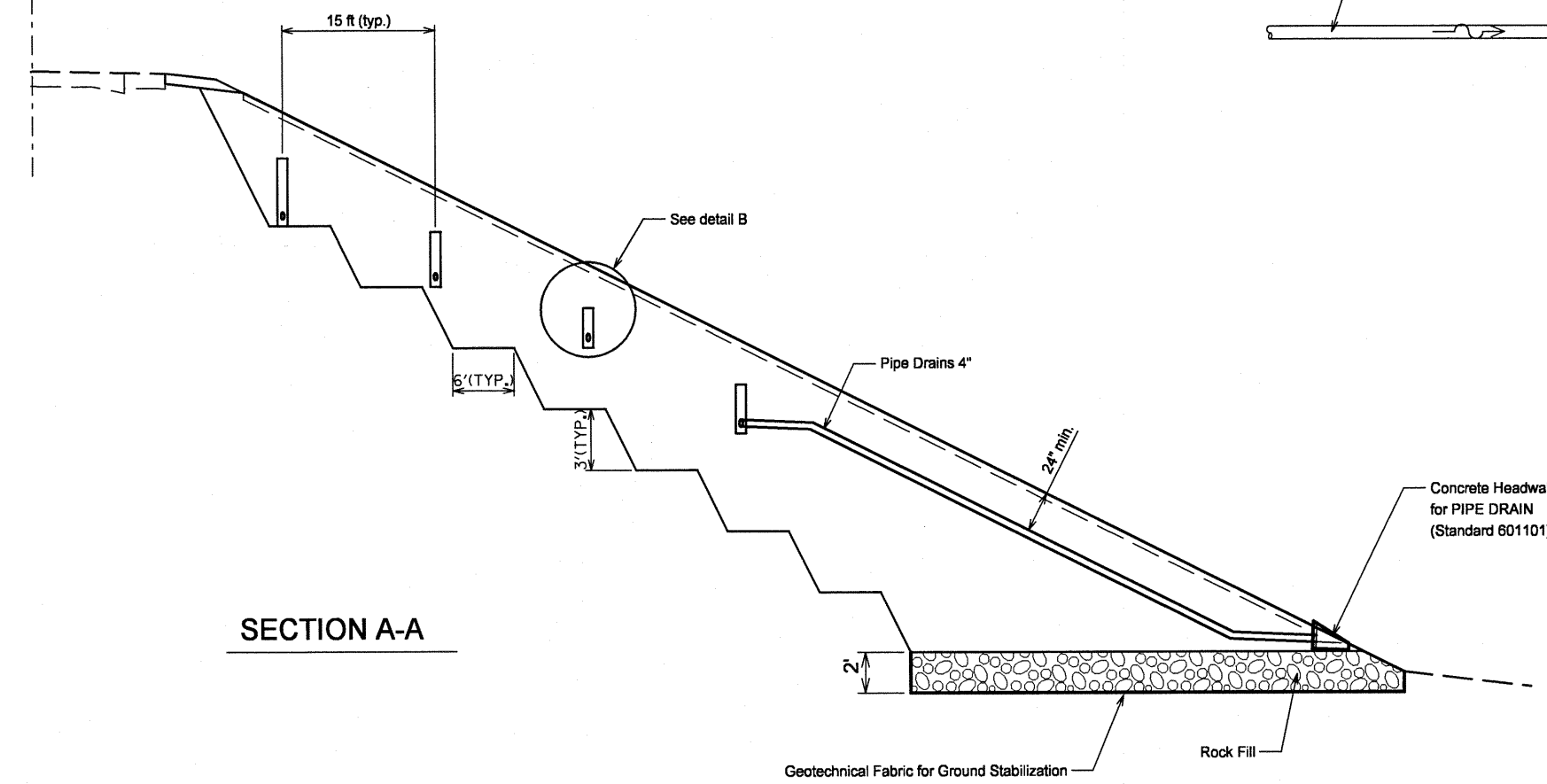
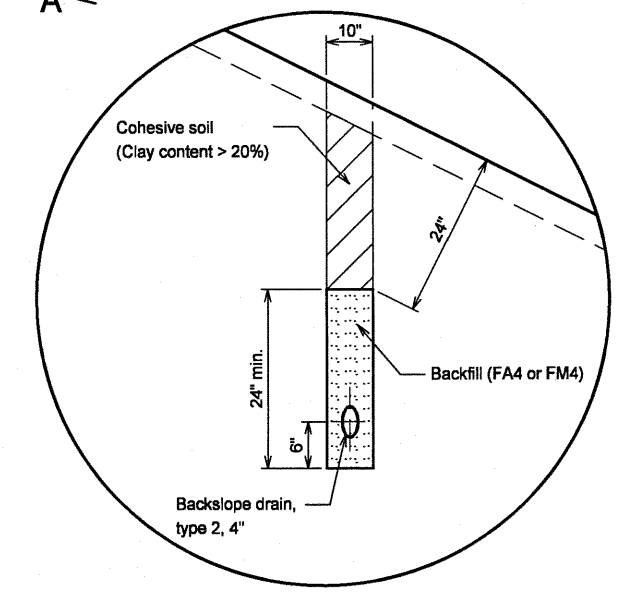


EXIST
CL

SECTION A-A



PLAN



DETAIL "B"

GENERAL NOTES:

1. The District Geotechnical Engineer will determine the Backslope Drain design, after the backslope has been constructed.
2. This work shall be done in accordance with the applicable portion of articles 601 and 207 of the Standard Specifications and the District Special Provision for "Pipe Underdrain".

FILE NAME = D468974-SHT-DETAILS.DGN	USER NAME = crespole	DESIGNED - _____	REVISED - _____	STATE OF ILLINOIS DEPARTMENT OF TRANSPORTATION	IL RTE 41 SLOPE REPAIR BACKSLOPE DRAIN DETAIL		F.A.P. RTE. 574	SECTION 12E-1	COUNTY Fulton	TOTAL SHEETS 31	SHEET NO. 16	
	PLOT SCALE = 48,0000' / IN.	DRAWN - _____	REVISED - _____		SCALE: _____	SHEET NO. _____ OF _____ SHEETS	STA. _____ TO STA. _____	CONTRACT NO. 68974				
	PLOT DATE = 6/15/2010	CHECKED - _____	REVISED - _____		ILLINOIS FED. AID PROJECT							
		DATE - _____	REVISED - _____									