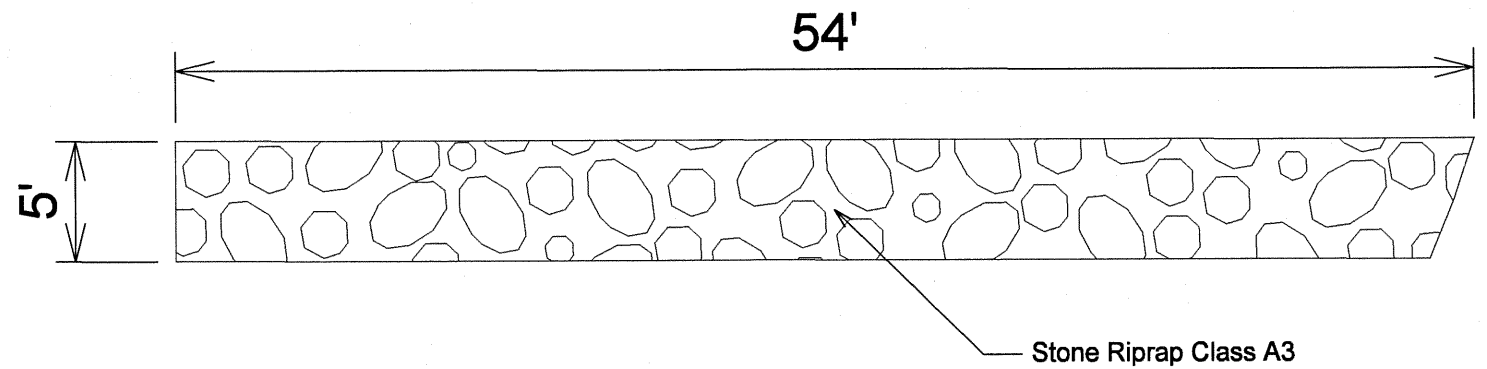
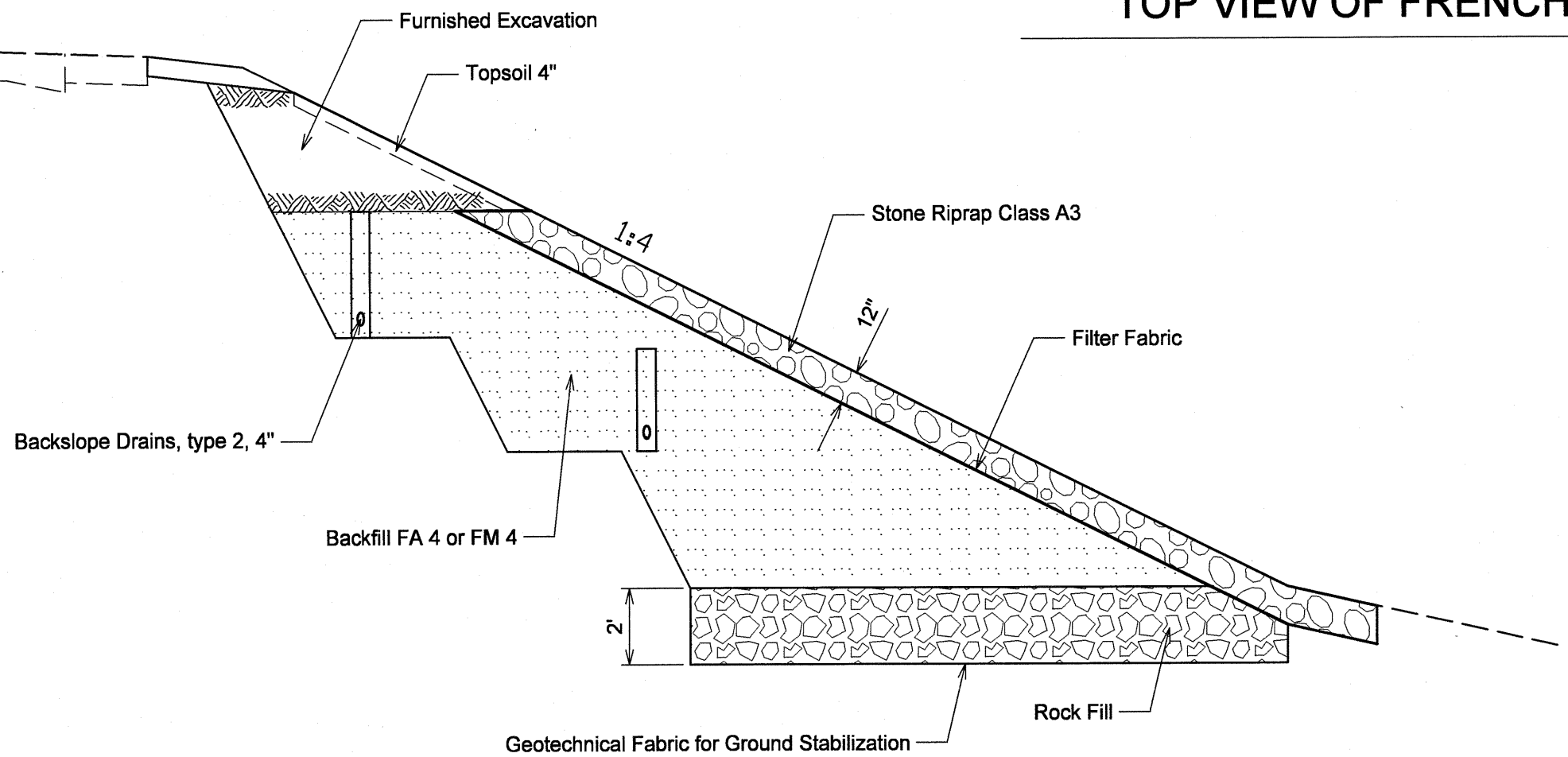


EXIST
CL



TOP VIEW OF FRENCH DRAIN

NTS



ELEVATION VIEW OF FRENCH DRAIN

NTS

FILE NAME =
D46B974-SHT-DETAILS.DGN

USER NAME = crespole

DESIGNED -

REVISED -

DRAWN -

REVISED -

PLOT SCALE = 40.0000' / IN.

CHECKED -

REVISED -

PLOT DATE = 6/15/2010

DATE -

REVISED -

**STATE OF ILLINOIS
DEPARTMENT OF TRANSPORTATION**

**IL RTE 41 SLOPE REPAIR
FRENCH DRAIN DETAIL**

SCALE: _____ SHEET NO. _____ OF _____ SHEETS STA. _____ TO STA. _____

F.A.P. RTE.	SECTION	COUNTY	TOTAL SHEETS	SHEET NO.
574	12E-1	Fulton	31	17
CONTRACT NO. 68974				
ILLINOIS FED. AID PROJECT				