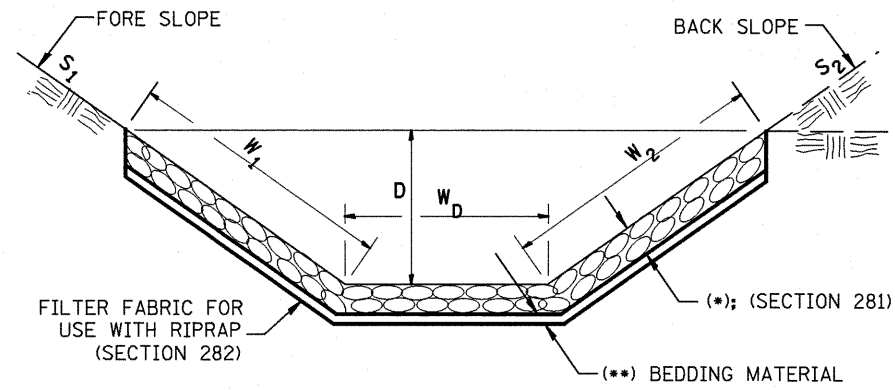


Designer NOTES:
 1. Designer to modify this Special Detail Sheet, as needed for inclusion in plans.
 2. (*) Designer to specify pay item including material, quality, and gradation.
 3. (**) Designer to specify thickness of bedding material.
 4. Include District Special Provision if needed.

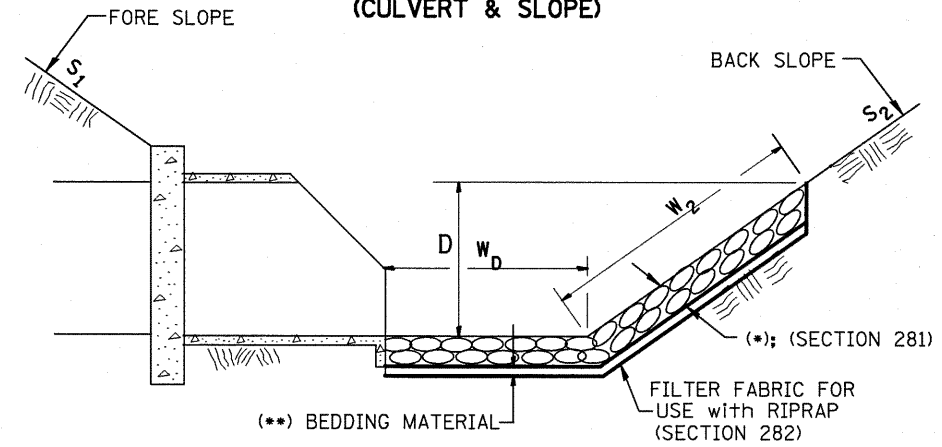
**CASE 1
(DITCH)**



(STONE RIPRAP CLASS B3)				
LOCATION	WIDTH (1)	LENGTH	RIPRAP	FABRIC
STA TO STA	lin ft (m)	lin ft (m)	tons (m tons)	sq yds (m ²)
Lt. Sta. 212+50 to 213+20.98	11.67	79	153	
Lt. Sta. 213+30.98 to 214+06.57	11.4	80.4	154.5	
TOTAL			307.5	

(1) WIDTH = $W_1 + W_2 + W_D$

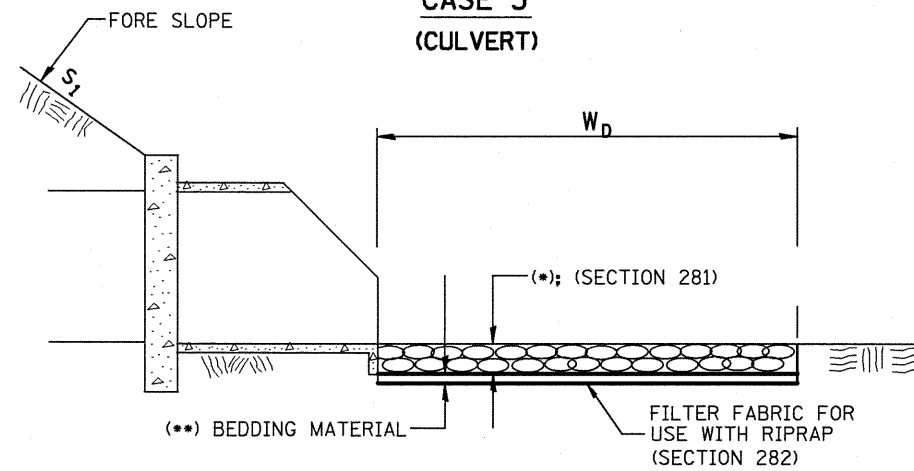
**CASE 2
(CULVERT & SLOPE)**



(STONE RIPRAP CLASS A4)				
LOCATION	WIDTH (1)	LENGTH	RIPRAP	FABRIC
STA TO STA	lin ft (m)	lin ft (m)	tons (m tons)	sq yds (m ²)
Lt Sta. 213+25.96	10	22.5	25.1	25
TOTAL			25.1	25

(1) WIDTH = $W_2 + W_D$

**CASE 3
(CULVERT)**



(STONE RIPRAP CLASS A4)				
LOCATION	WIDTH (1)	LENGTH	RIPRAP	FABRIC
STA TO STA	lin ft (m)	lin ft (m)	tons (m tons)	sq yds (m ²)
Rt Sta. 213+25.96	10	25	37.1	27.8
TOTAL			37.1	27.8

(1) WIDTH = W_D

All slope ratios are expressed as units of vertical displacement to units of horizontal displacement (V:H).

All dimensions are in Inches (millimeters) unless otherwise noted.

1-1-97	RENUM. A-12.02, NEW REVISION BOX	T.P.
12-1-97	CORRECT FILTER FABRIC LEADER ARROW	J.A.
10-16-06	REVISED TO 2007 SPEC.	M.A.

**STATE OF ILLINOIS
DEPARTMENT OF TRANSPORTATION**

RIPRAP DITCH FOR EROSION PROTECTION

NOT TO SCALE

CADD STD. 281001-D4

F.A.P. RTE.	SECTION	COUNTY	TOTAL SHEETS	SHEET NO.
574	12I-1	Fulton	31	28
CONTRACT NO. 68974			FED. ROAD DIST. NO. [ILLINOIS] FED. AID PROJECT	