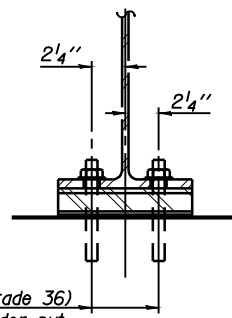


**ELEVATION AT ABUTMENT**

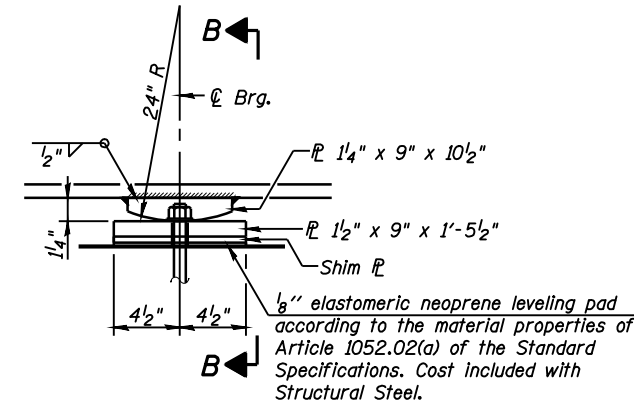
**FIXED BEARING AT ABUTMENT**  
(28 Required)

1/8" elastomeric neoprene leveling mat according to the material properties of Article 1052.02a of the Standard Specifications. Cost included with Structural Steel.

1"  $\phi$  x 12" anchor bolts (F1554, Grade 36) with 2 1/4" x 2 1/4" x 5/16"  $\phi$  washer under nut. 1 3/8" x 2" slotted hole in flange. 1 1/2"  $\phi$  holes in bearing plate.

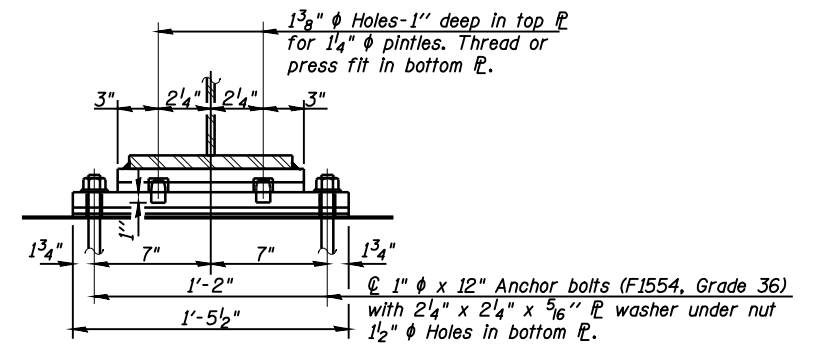


**SECTION A-A**

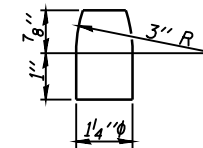


**ELEVATION AT PIER**

**FIXED BEARING AT PIERS**  
(28 Required)



**SECTION B-B**



**PINTLE**

**Notes:**

Anchor bolts shall be ASTM F1554 all-thread (or an Engineer-approved alternate material) of the grade(s) and diameter(s) specified. ASTM A307 Grade C anchor bolts may be used in lieu of ASTM F1554 Grade 36 (Fy=36ksi). The corresponding specified grade of AASHTO M314 anchor bolts may be used in lieu of ASTM F1554.

Anchor bolts at fixed bearings may be either cast in place or installed in holes drilled after the supported member is in place.

Drilled and set anchor bolts shall be installed according to Article 521.06 of the Standard Specifications.

Two 1/8" adjusting shims shall be provided for each bearing in addition to all other plates or shims and placed as shown on bearing details.

The structural steel bearing plates of the fixed bearings shall conform to the requirements of AASHTO M 270, Grade 50.

**BILL OF MATERIAL**

Item	Unit	Total
Anchor Bolts, 1"	Each	112

**BEARING DETAILS**  
S.N. 084-0521



**Allen Henderson & Associates, Inc.**  
Civil and Structural Engineers Springfield, IL.  
62703 Phone: (217)544-8033 IL. Design Firm  
No. 184-001907

SHEET NO. 20  
30 SHEETS

F.A.P. RTE.	SECTION	COUNTY	TOTAL SHEETS	SHEET NO.
662	H(RS-10,B-2)	SANGAMON	84	64
CONTRACT NO. 72A73				
FED. ROAD DIST. NO.		ILLINOIS FED. AID PROJECT		