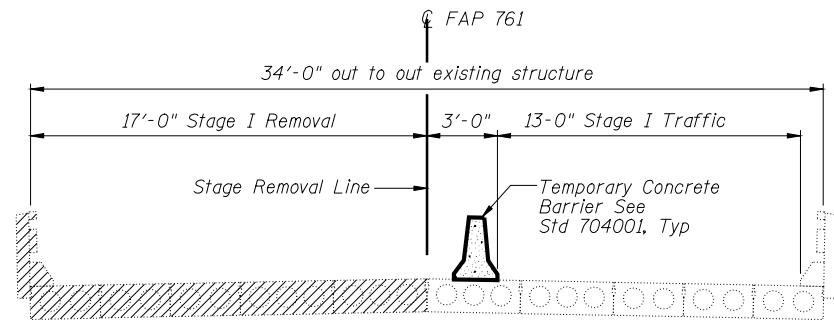
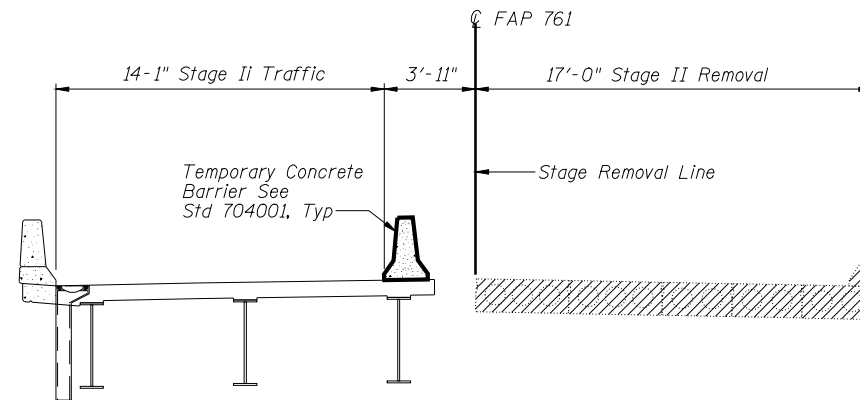


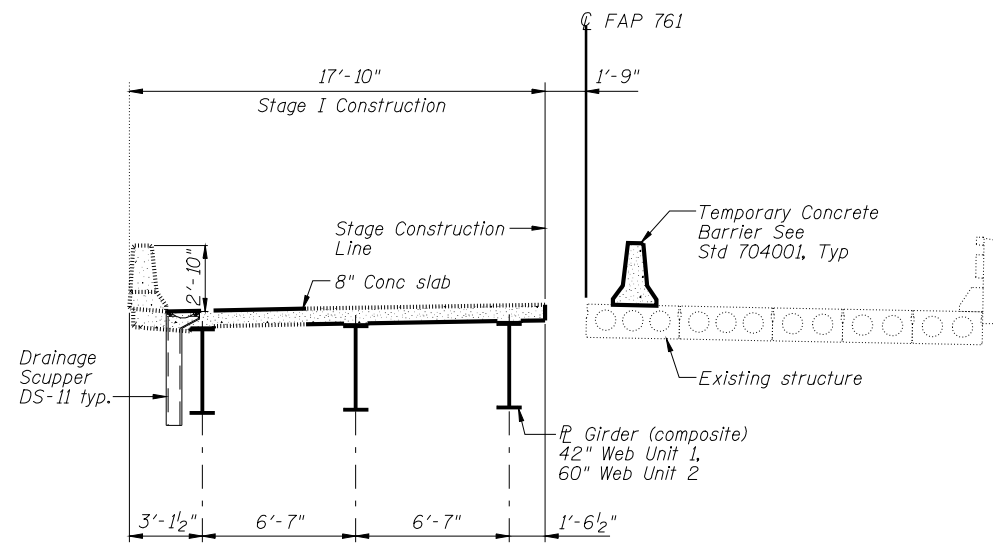
STATE OF ILLINOIS
DEPARTMENT OF TRANSPORTATION



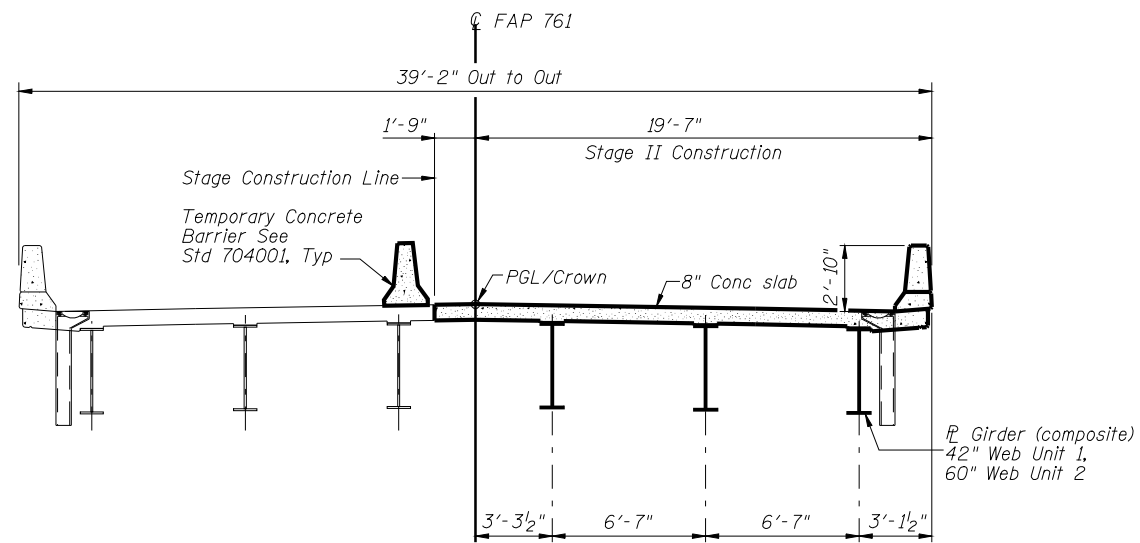
STAGE I REMOVAL
(Looking West)



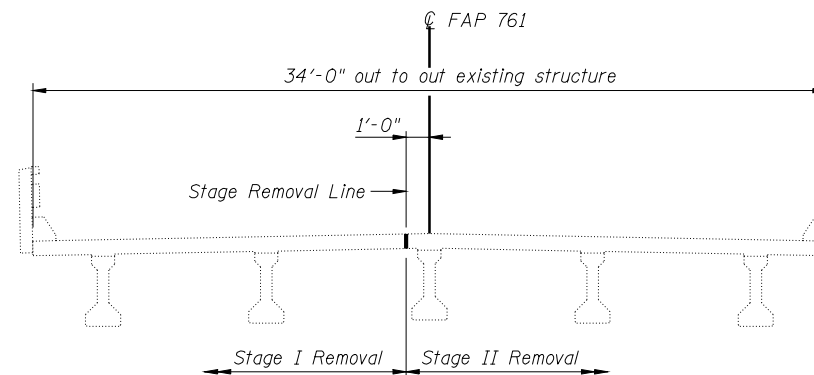
STAGE II REMOVAL
(Looking West)



STAGE I CONSTRUCTION
(Looking West)



STAGE II CONSTRUCTION
(Looking West)



CROSS SECTION THRU EXISTING SPAN 11
(Looking West)

Note:
For quantity of Temporary Concrete Barrier See Roadway Plans.

DESIGNED -	J.M.B.
CHECKED -	T.E.S.
DRAWN -	R KING
CHECKED -	J.M.B.

HOMER L. CHASTAIN & ASSOCIATES, LLP
CONSULTING ENGINEERS
DECATUR (217) 422-8544
CHICAGO (773) 714-0050
ROCKFORD (815) 489-0050
184-001397

STAGE CONSTRUCTION DETAILS
STRUCTURE NUMBER 059-0510

SHEET NO. 4 OF 51 SHEETS	F.A.P. RTE.	SECTION	COUNTY	TOTAL SHEETS	SHEET NO.
	761	107B-2	MACOUPIN	98	34
FAP ROUTE 761 (IL RT 108)			CONTRACT NO. 72A94		
FED. ROAD DIST. NO.		ILLINOIS FED. AID PROJECT			