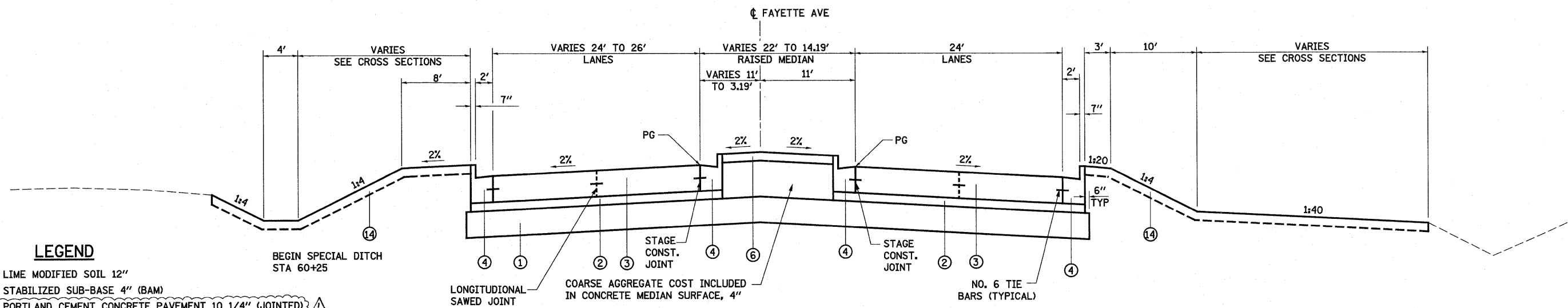


• PROPOSED SIDEWALK ENDS STA 57+24.20

•• 12' RT TURN LANE ENDS STA 57+30.00

**PROPOSED TANGENT SECTION**  
STA 53+68.00 TO STA 59+30.00

••• RAISED MEDIAN BEGINS 5' R NOSE, 6' LT STA 53+91.34



BEGIN SPECIAL DITCH STA 60+25

**PROPOSED TANGENT SECTION**  
STA 59+30.00 TO STA 63+17.80

**PROPOSED FAYETTE AVE**

**LEGEND**

- ① PROPOSED LIME MODIFIED SOIL 12"
- ② PROPOSED STABILIZED SUB-BASE 4" (BAM)
- ③ PROPOSED PORTLAND CEMENT CONCRETE PAVEMENT 10 1/4" (JOINTED)
- ④ PROPOSED COMBINATION CONCRETE CURB AND GUTTER, TYPE B-6.24
- ⑤ PROPOSED PORTLAND CEMENT CONCRETE SIDEWALK 4"
- ⑥ PROPOSED CONCRETE MEDIAN SURFACE, 4"
- ⑦ PROPOSED CORRUGATED MEDIAN
- ⑧ PROPOSED COMBINATION CONCRETE CURB AND GUTTER, TYPE B-6.06
- ⑨ PROPOSED BRIDGE APPROACH SLAB (SEE STRUCTURE PLANS)
- ⑩ PROPOSED SUB-BASE GRANULAR MATERIAL, TYPE C
- ⑪ PROPOSED CONCRETE MEDIAN, TYPE SB (DOWELLED)
- ⑫ PROPOSED PORTLAND CEMENT CONCRETE PAVEMENT 10 1/2" (JOINTED)
- ⑬ PROPOSED AGGREGATE SHOULDERS, TYPE B 6"
- ⑭ PROPOSED TOPSOIL 4"
- ⑮ PROPOSED PIPE UNDERDRAINS 4"
- ⑯ PROPOSED PORTLAND CEMENT CONCRETE PAVEMENT, 12"
- ⑰ PROPOSED PAVEMENT FABRIC
- ⑱ PROPOSED AGGREGATE BASE COURSE, TYPE B, 8"
- ⑲ PROPOSED AGGREGATE SHOULDER TYPE B
- ⑳ PROPOSED LIME MODIFIED SOIL 18"

FILE NAME =	USER NAME = lunde	DESIGNED - JWS	REVISED - 08-02-10	<b>STATE OF ILLINOIS DEPARTMENT OF TRANSPORTATION</b>	<b>PROPOSED TYPICAL SECTIONS - FAYETTE AVE</b>			F.A.I. RTE.	SECTION	COUNTY	TOTAL SHEETS	SHEET NO.
5:\Projects\403-00072-57-70\dgn\FayetteAddendum\TYPICAL.dgn		DRAWN - BOB	REVISED - (08-26-10)					57/70	(25-3)I-6	EFFINGHAM	839	21
PLOT SCALE = 1/8" = 1' / IN.		CHECKED - BRM	REVISED -		SCALE: 1"=50'			SHEET NO. 6 OF 8 SHEETS STA. TO STA.				
PLOT DATE = 8/26/2010		DATE - 11-05-07	REVISED -		CONTRACT NO. 74293							