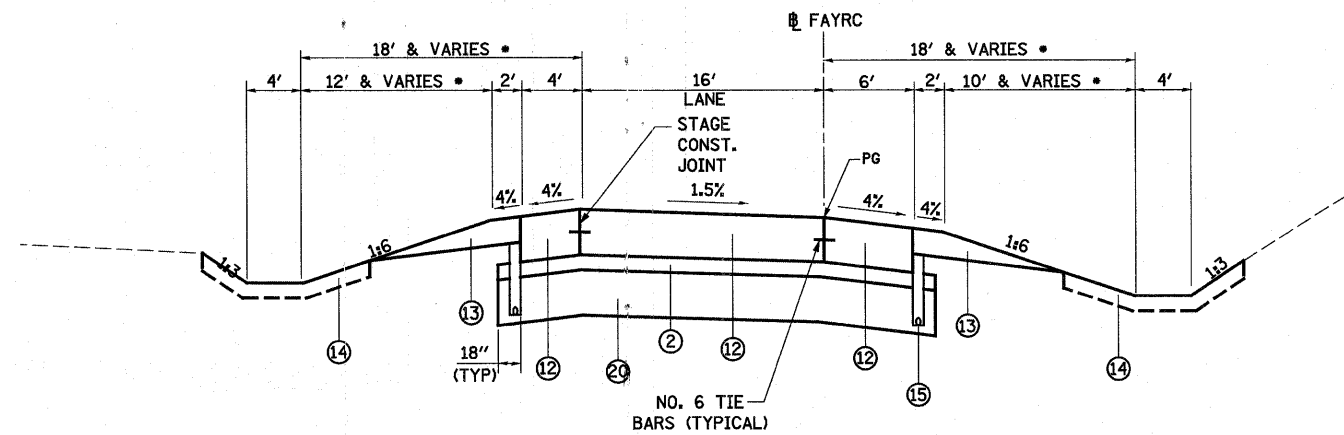


PROPOSED SUPERELEVATED SECTION

STA 11+00.00 TO STA 14+90.68
STA 15+85.00 TO STA 19+72.08 (REVERSED)

** PROPOSED LIME MODIFIED SOIL BEGINS AT STA 12+00.00 AND ENDS STA 18+00.00

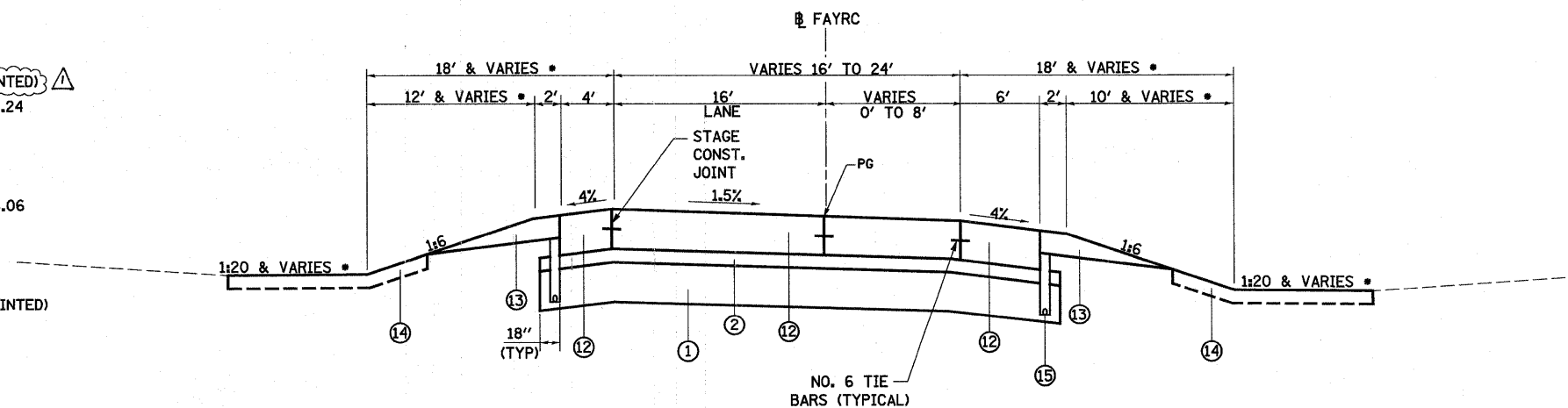


PROPOSED TANGENT SECTION

STA 14+90.68 TO STA 15+42.71

LEGEND

- ① PROPOSED LIME MODIFIED SOIL 12"
- ② PROPOSED STABILIZED SUB-BASE 4" (BAM)
- ③ PROPOSED PORTLAND CEMENT CONCRETE PAVEMENT 10 1/4" (JOINTED) △
- ④ PROPOSED COMBINATION CONCRETE CURB AND GUTTER, TYPE B-6.24
- ⑤ PROPOSED PORTLAND CEMENT CONCRETE SIDEWALK 4"
- ⑥ PROPOSED CONCRETE MEDIAN SURFACE, 4"
- ⑦ PROPOSED CORRUGATED MEDIAN
- ⑧ PROPOSED COMBINATION CONCRETE CURB AND GUTTER, TYPE B-6.06
- ⑨ PROPOSED BRIDGE APPROACH SLAB (SEE STRUCTURE PLANS)
- ⑩ PROPOSED SUB-BASE GRANULAR MATERIAL, TYPE C
- ⑪ PROPOSED CONCRETE MEDIAN, TYPE SB (DOWELLED)
- ⑫ PROPOSED PORTLAND CEMENT CONCRETE PAVEMENT 10 1/2" (JOINTED)
- ⑬ PROPOSED AGGREGATE SHOULDERS, TYPE B 6"
- ⑭ PROPOSED TOPSOIL 4"
- ⑮ PROPOSED PIPE UNDERDRAINS 4"
- ⑯ PROPOSED PORTLAND CEMENT CONCRETE PAVEMENT, 12"
- ⑰ PROPOSED PAVEMENT FABRIC
- ⑱ PROPOSED AGGREGATE BASE COURSE, TYPE B, 8"
- ⑲ PROPOSED AGGREGATE SHOULDER TYPE B
- ⑳ PROPOSED LIME MODIFIED SOIL 18"



PROPOSED TANGENT SECTION

STA 19+72.08 TO STA 20+95.90

PROPOSED FAYETTE AVE. RAMP C

• SEE CROSS SECTIONS

FILE NAME =	USER NAME = lunde	DESIGNED - JWS	REVISED - 08-02-10	STATE OF ILLINOIS DEPARTMENT OF TRANSPORTATION	PROPOSED TYPICAL SECTIONS - FAYETTE AVE, RAMP C	F.A.I. RTE.	SECTION	COUNTY	TOTAL SHEETS	SHEET NO.
S:\Projects\1403-00072-57-70\Drawn\Fayette\Addendum\Drawings\FayetteRamp.dgn	DRAWN - PDB	REVISED - 08-26-10 △	57/70			(25-3)1-6	EFFINGHAM	839	27	
PLOT SCALE = 1/8"=1'-0" / IN.	CHECKED - BRM	REVISED -	CONTRACT NO. 74293							
PLOT DATE = 8/26/2010	DATE - 11-05-07	REVISED -	ILLINOIS FED. AID PROJECT							
				SCALE: 1"=50'		SHEET NO. 3 OF 4 SHEETS		STA. TO STA.		