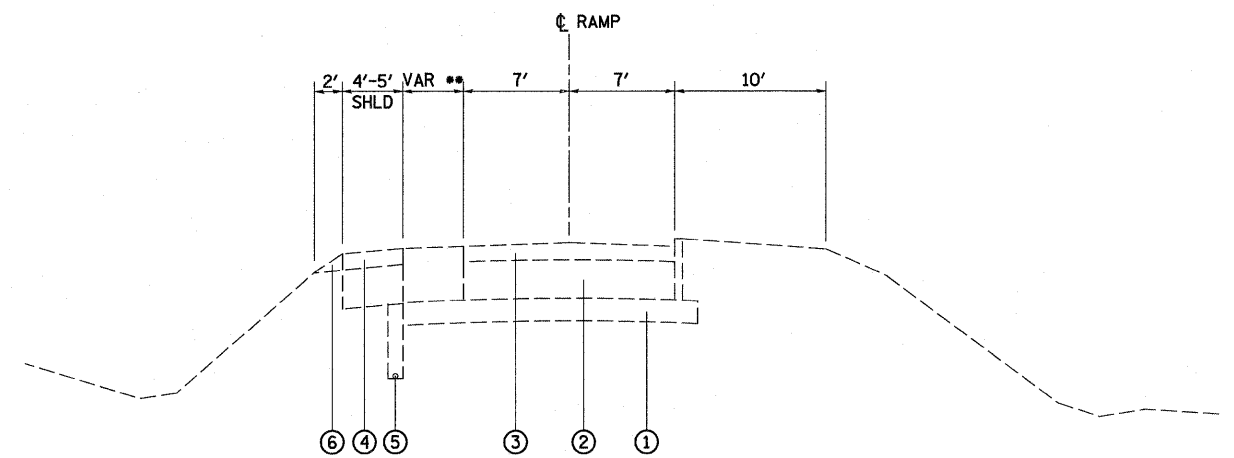


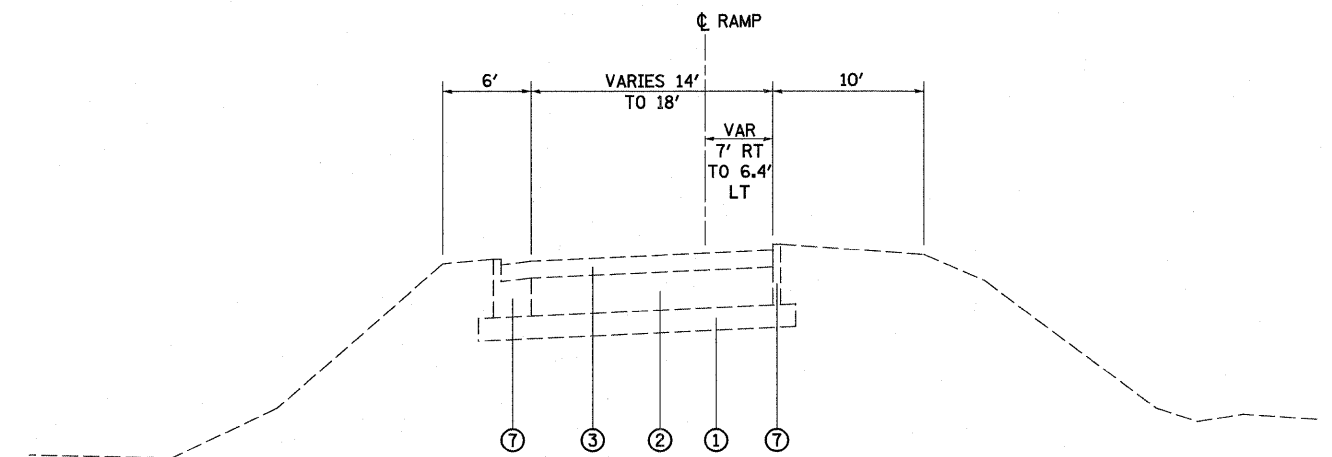
**EXISTING SUPERELEVATED SECTION**  
STA 0+00.00 TO STA 14+06.29

**EXISTING RAMP E  
(FAYETTE AVE)**



\*\* ENDS STA 1+14.56

**EXISTING TANGENT SECTION**  
STA 0+30.94 TO STA 1+64.50



**EXISTING SUPERELEVATED SECTION  
W/CURBS**  
STA 1+64.50 TO STA 2+67.52

**EXISTING RAMP F  
(FAYETTE AVE)**

**LEGEND**

- ① EXISTING SUB-BASE GRANULAR MATERIAL, TYPE A 6"
- ② EXISTING PCC PAVEMENT 10" (w/LONG METAL JT & PAVT FABRIC)
- ③ EXISTING ASPHALT RESURFACING 6"±
- ④ EXISTING PAVED SHOULDER
- ⑤ EXISTING PIPE UNDERDRAINS
- ⑥ EXISTING AGGREGATE SHOULDERS
- ⑦ EXISTING CURB OR CURB & GUTTER

FILE NAME =	USER NAME = paul	DESIGNED -	REVISED -	<b>STATE OF ILLINOIS DEPARTMENT OF TRANSPORTATION</b>	<b>EXISTING TYPICAL SECTIONS - FAYETTE AVE, RAMPS E &amp; F</b>	F.A.I. RTE.	SECTION	COUNTY	TOTAL SHEETS	SHEET NO.
S:\Projects\403-00072.51-70\dm\Fayette\Types\Typical.dgn		DRAWN -	REVISED -			57/70	(25-3)I-6	EFFINGHAM	839	14
PLOT SCALE = 1/8" = 1' / IN.		CHECKED -	REVISED -			<b>CONTRACT NO. 74293</b>				
PLOT DATE = 6/23/2010		DATE -	REVISED -			SCALE: 1"=50'		SHEET NO. 3 OF 4 SHEETS		STA. TO STA.
						FED. ROAD DIST. NO. ILLINOIS FED. AID PROJECT				