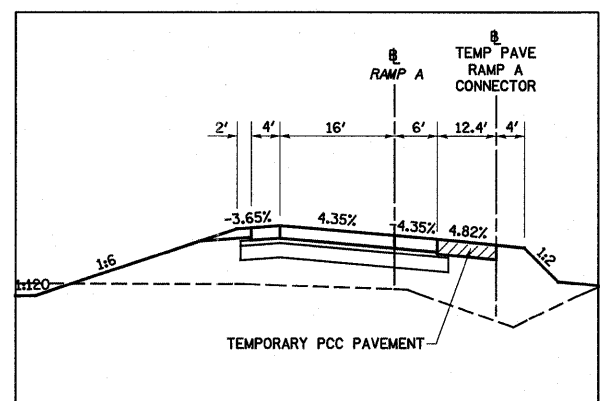
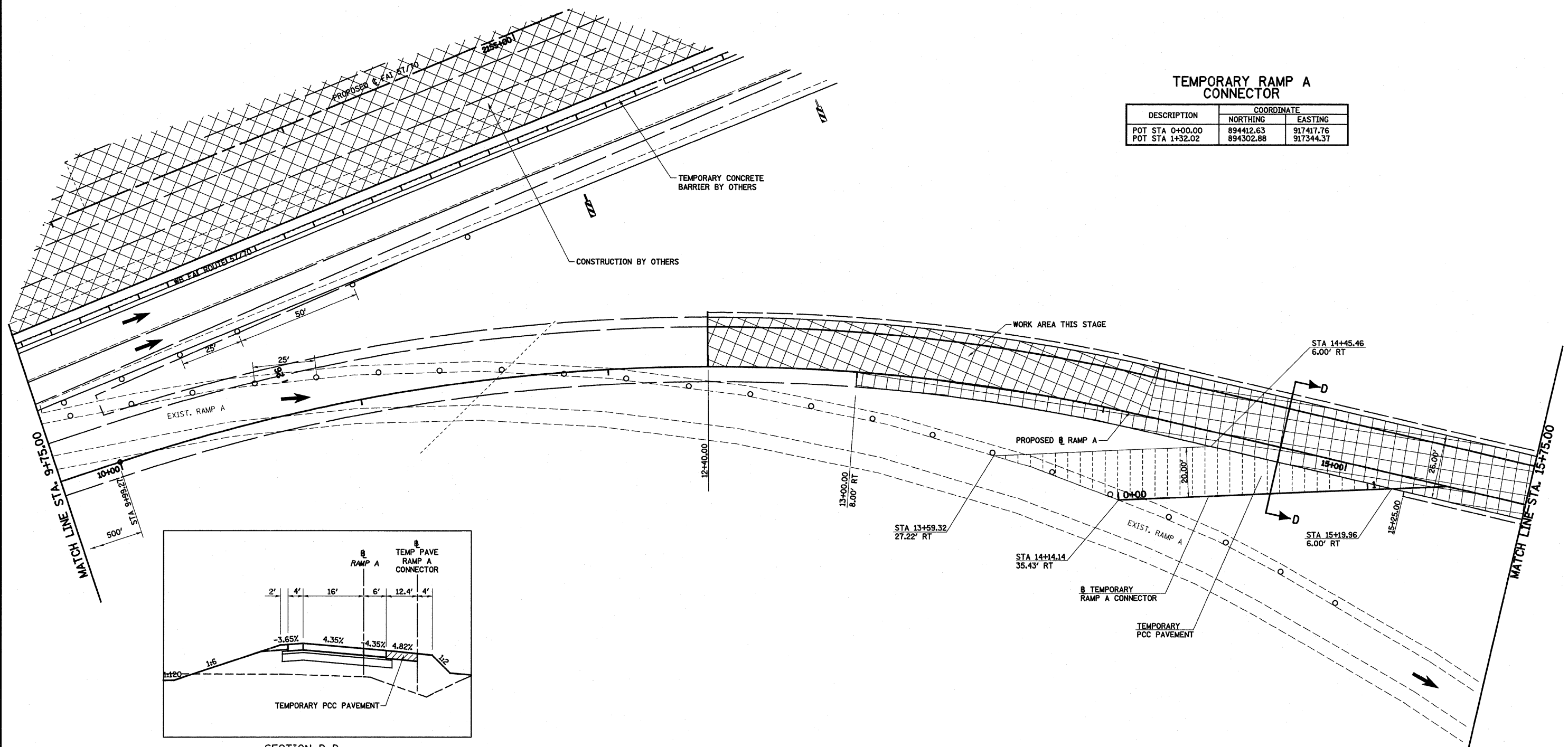


TEMPORARY RAMP A CONNECTOR

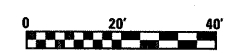
DESCRIPTION	COORDINATE	
	NORTHING	EASTING
POT STA 0+00.00	894412.63	917417.76
POT STA 1+32.02	894302.88	917344.37



SECTION D-D

NOTE: STATIONING OF FAI 57/70 IS REVERSED.

LEGEND	
	WORK AREA THIS STAGE
	TEMPORARY PCC PAVEMENT
	TEMPORARY HOT-MIX ASPHALT RAMP
	SIGN
	BY OTHERS
	DIRECTION OF TRAFFIC
	TYPE II BARRICADES OR DRUMS WITH MONO-DIRECTIONAL STEADY BURNING LIGHTS UNLESS OTHER WISE NOTED
	VERTICAL PANEL
	TYPE III BARRICADES



FILE NAME =	USER NAME = paul	DESIGNED - JWS	REVISED -	STATE OF ILLINOIS DEPARTMENT OF TRANSPORTATION	MAINTENANCE OF TRAFFIC, STAGE 2, RAMP A, FAYETTE AVENUE	F.A.I. RTE.	SECTION	COUNTY	TOTAL SHEETS	SHEET NO.	
S:\Projects\403-00072.51-70\dm\Yayette\NoRamp.s2.dgn		DRAWN - PDB	REVISED -			57/70	(25-3)I-6	EFFINGHAM	839	128	
PLOT SCALE = 40.0000' / IN.		CHECKED - BRM	REVISED -			SCALE: 1"=20'		SHEET NO. 15 OF 19 SHEETS		STA. 9+75.00 TO STA. 15+75.00	
PLOT DATE = 6/24/2010		DATE - 11-16-07	REVISED -			FED. ROAD DIST. NO.		ILLINOIS FED. AID PROJECT		CONTRACT NO. 74293	