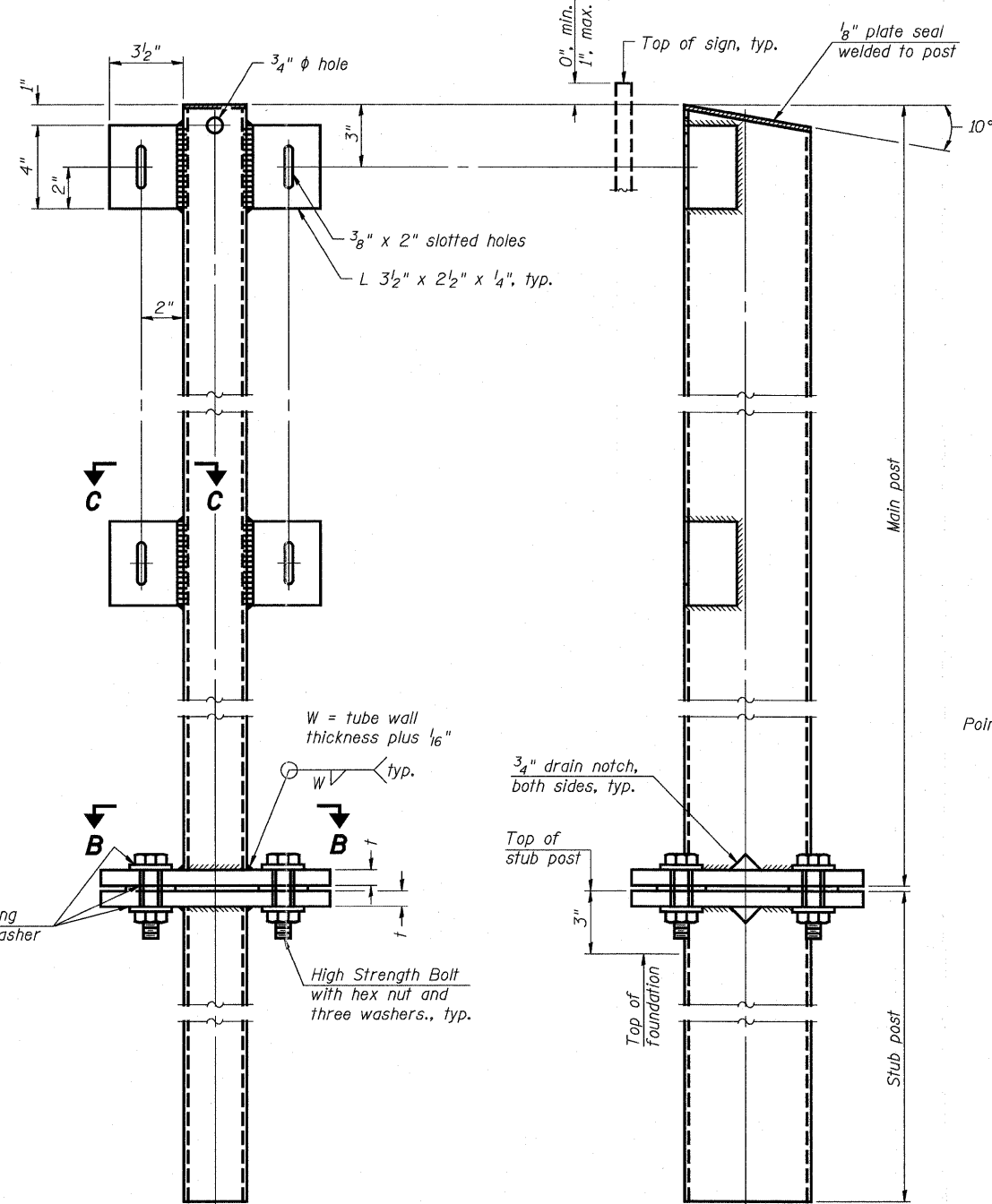


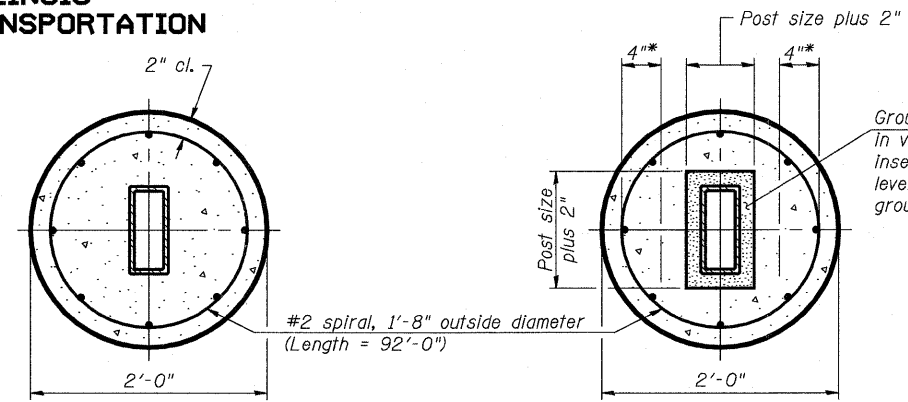
STATE OF ILLINOIS
DEPARTMENT OF TRANSPORTATION



FRONT ELEVATION

SIDE ELEVATION

MAIN POST & STUB POST

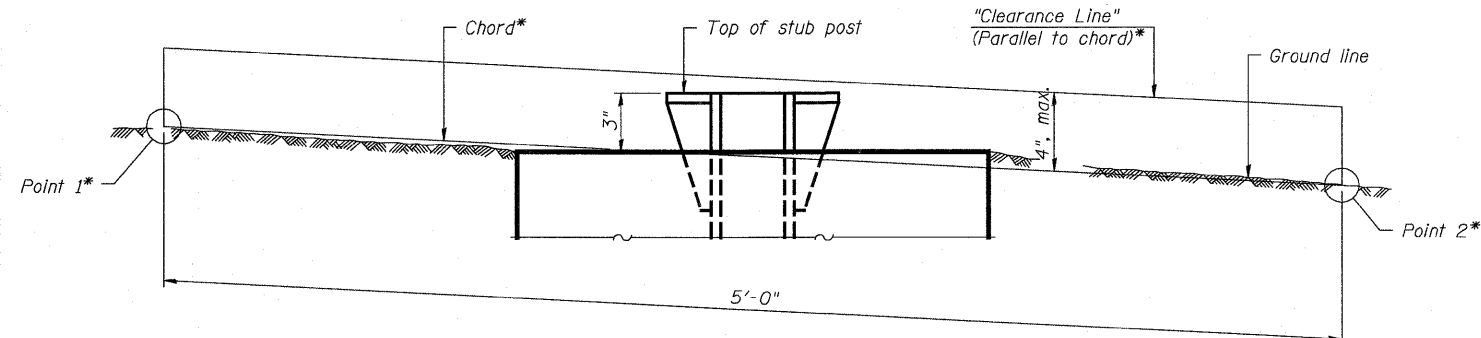


**SECTION A-A
(CAST-IN-PLACE)**

OR

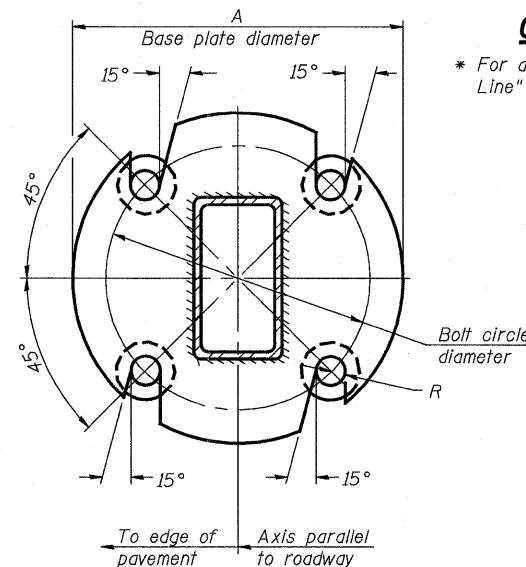
**SECTION A-A
(PRECAST)**

* Hot dip galvanized lifting loops or inserts may be placed in precast foundation inside the spiral reinforcement but not within 6" of the long axis of the post. Inserts must be adequate for safely lifting a total of 3,000 pounds and must not interfere with installation of the stub post or proper functioning of the slip base.

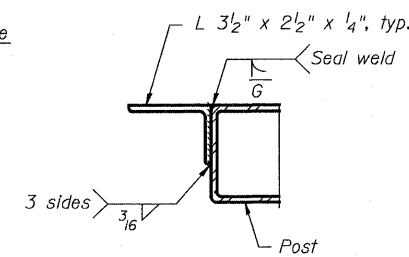


**ELEVATION
GROUND LINE & STUB POST**

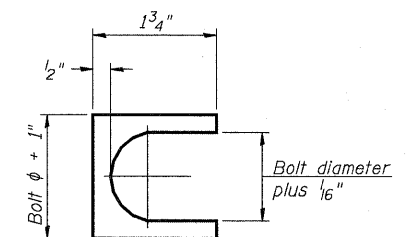
* For all "Point 1" and "Point 2" locations, "Clearance Line" must be at or above top of stub post.



SECTION B-B



SECTION C-C



SHIM DETAIL

Furnish two 0.01" thick and two 0.03" thick stainless steel or brass (ASTM B36) shims per post.

DESIGNED	-	ESW
CHECKED	-	JWS
DRAWN	-	PDB
CHECKED	-	BRM

BAT-A-2

12-1-08

NUMBER	REVISION	DATE

**BREAK-AWAY TUBULAR STEEL
SIGN POSTS AND DETAILS**

SHEET NO. 10	F.A.I. RTE.	SECTION	COUNTY	TOTAL SHEETS	SHEET NO.
	57/70	(25-3)I-6	EFFINGHAM	839	226
SHEETS 10	CONTRACT NO. 74293				
FED. ROAD DIST. NO.		ILLINOIS FED. AID PROJECT			