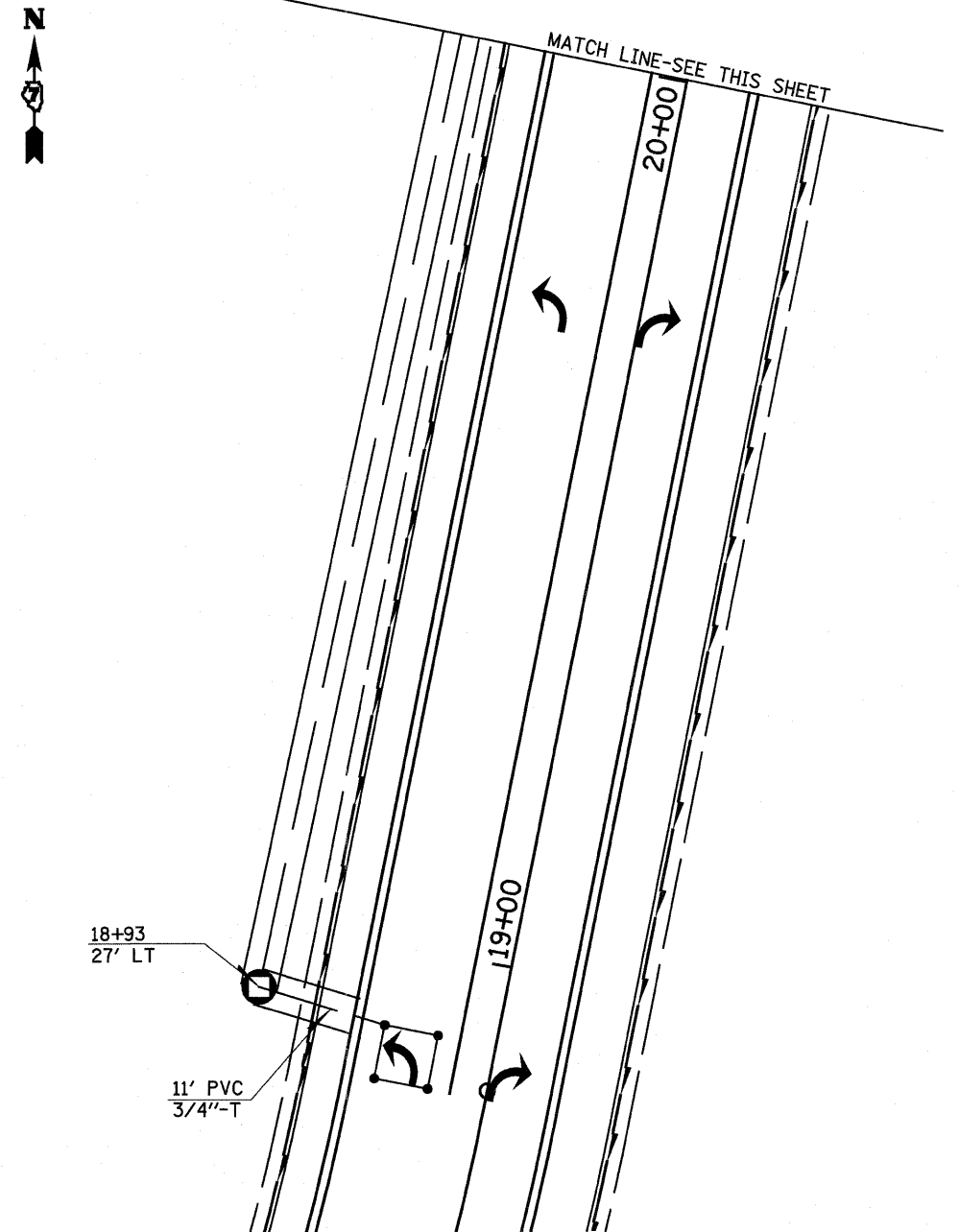
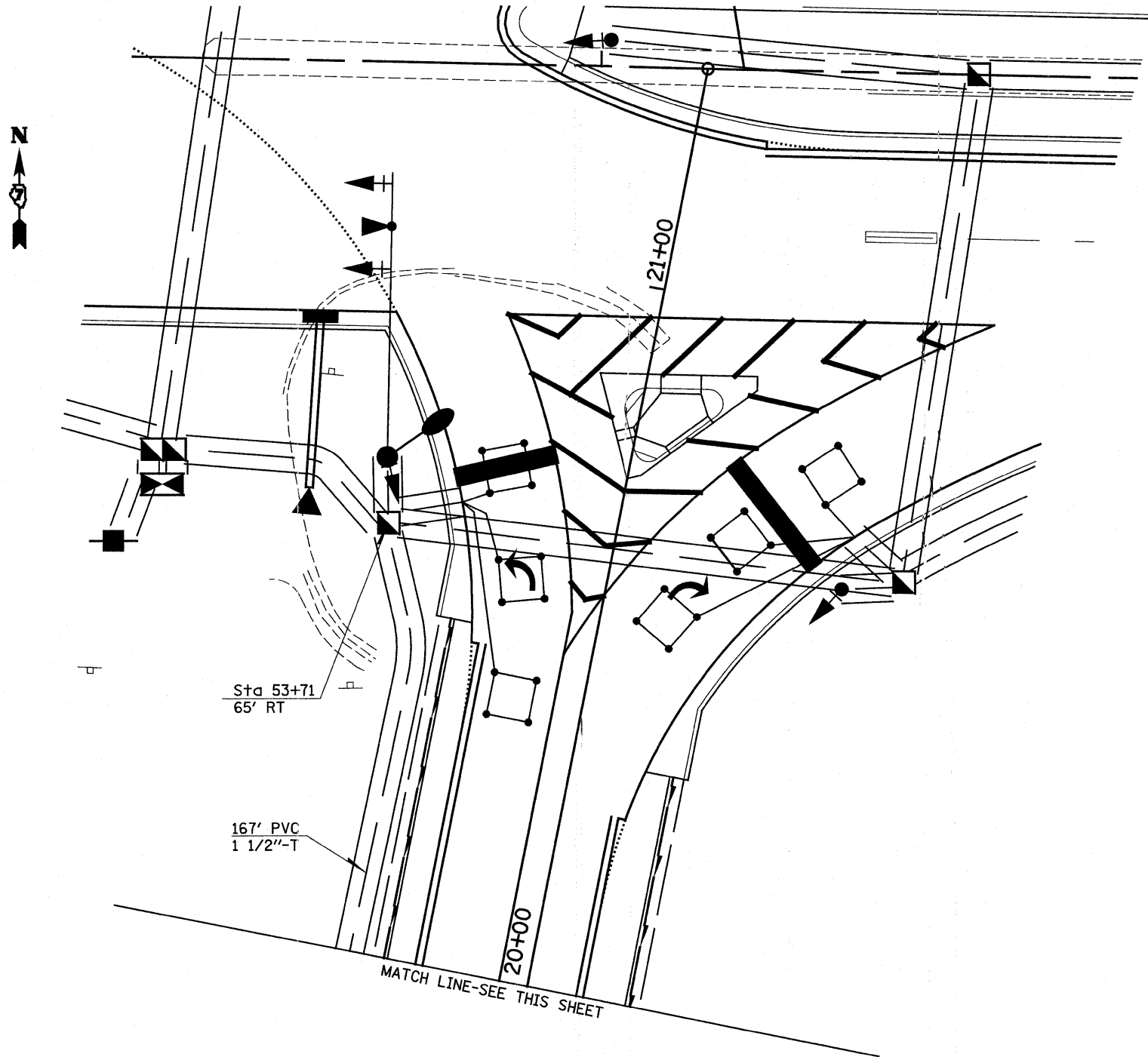


See Sheet 2 of 3
 "Fayette Avenue Interchange
 Ramps B & C Signal Layout"



FILE NAME = #FILEL#	USER NAME = paul	DESIGNED -	REVISED -	STATE OF ILLINOIS DEPARTMENT OF TRANSPORTATION	FAYETTE AVENUE INTERCHANGE RAMPS B & C SIGNAL LAYOUT		F.A.I. RTE.	SECTION	COUNTY	TOTAL SHEETS	SHEET NO.
	PLOT SCALE = 200.0000 ' / IN.	DRAWN -	REVISED -				70	(25-3)I-6 & (25-3)B-2)B	EFFINGHAM	839	248
	PLOT DATE = 6/24/2018	CHECKED -	REVISED -				CONTRACT NO. 74293				
	DATE -	REVISED -		SCALE:	SHEET NO. 3 OF 3 SHEETS	STA.	TO STA.	ILLINOIS FED. AID PROJECT			