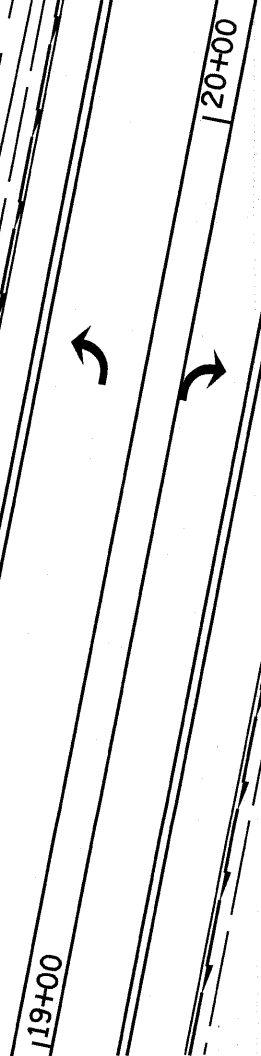


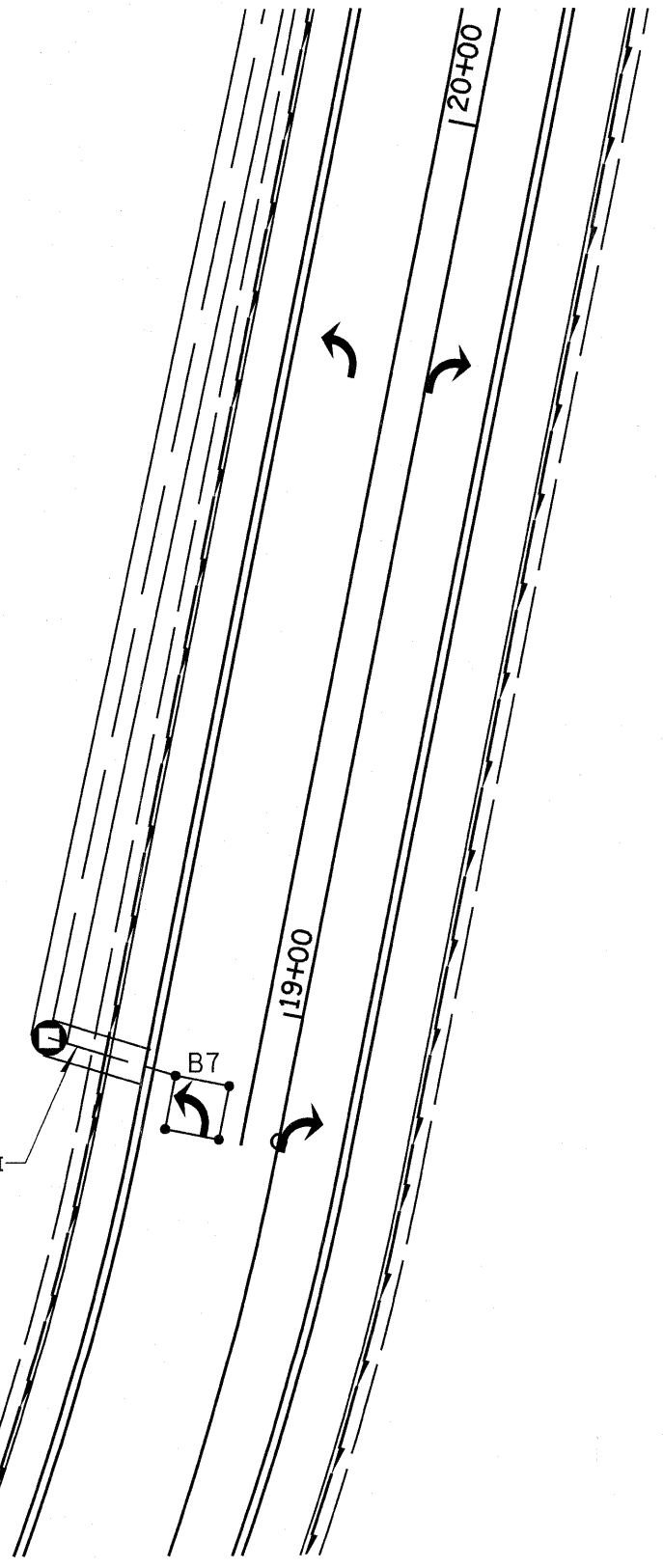
See Sheet 2 of 3
 "Fayette Avenue Interchange
 Ramps B & C Signal Layout"



1 No 14 1 PR-LI



1 No 14 1 PR-LI



FILE NAME =	USER NAME = paul	DESIGNED -	REVISED -
#FILE#		DRAWN -	REVISED -
	PLOT SCALE = 200.0000' / IN.	CHECKED -	REVISED -
	PLOT DATE = 6/24/2010	DATE -	REVISED -

STATE OF ILLINOIS
 DEPARTMENT OF TRANSPORTATION

FAYETTE AVENUE INTERCHANGE-RAMPS B & C
 CABLE LAYOUT

SCALE: SHEET NO. 3 OF 3 SHEETS STA. TO STA.

F.A.I. RTE.	SECTION	COUNTY	TOTAL SHEETS	SHEET NO.
70	(25-3)I-6 & (25-3)B-2)B	EFFINGHAM	839	251
CONTRACT NO. 74293				
ILLINOIS FED. AID PROJECT				