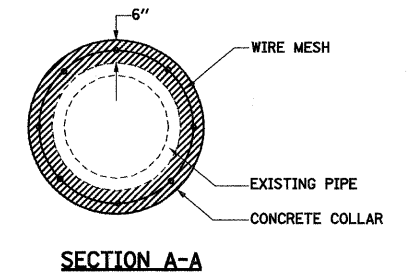
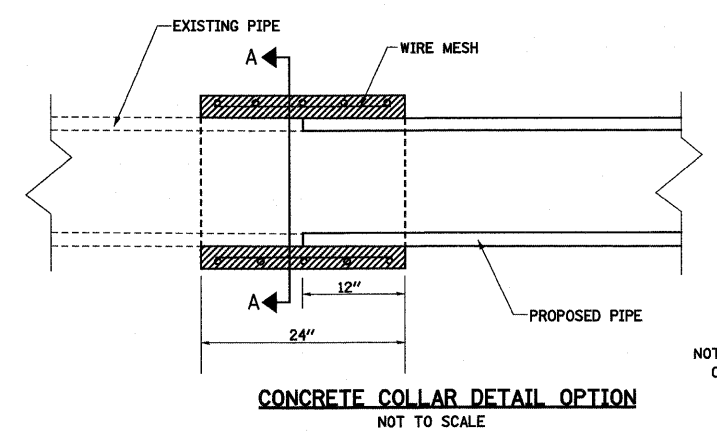
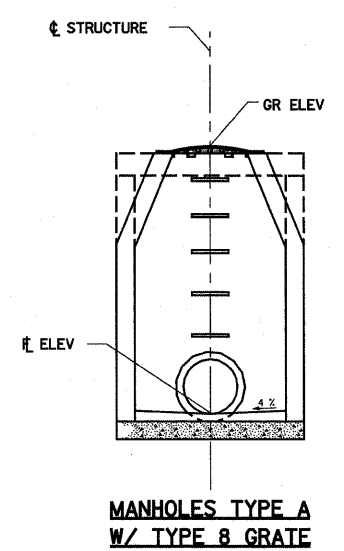
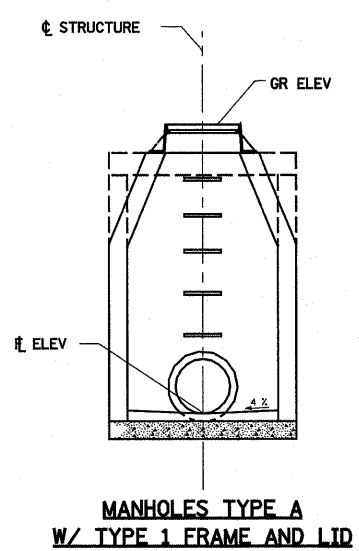
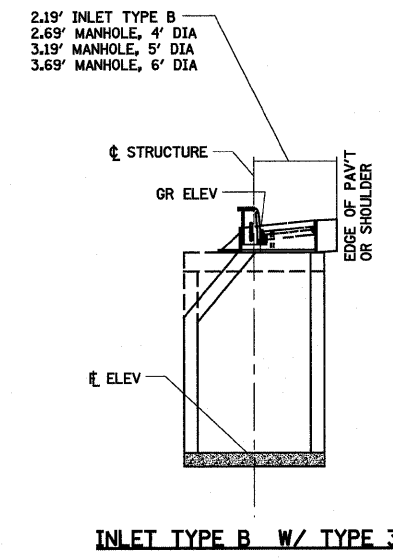
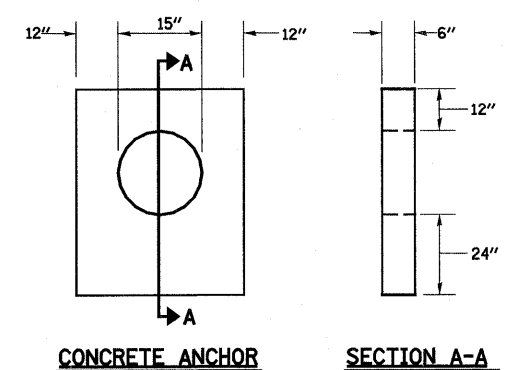
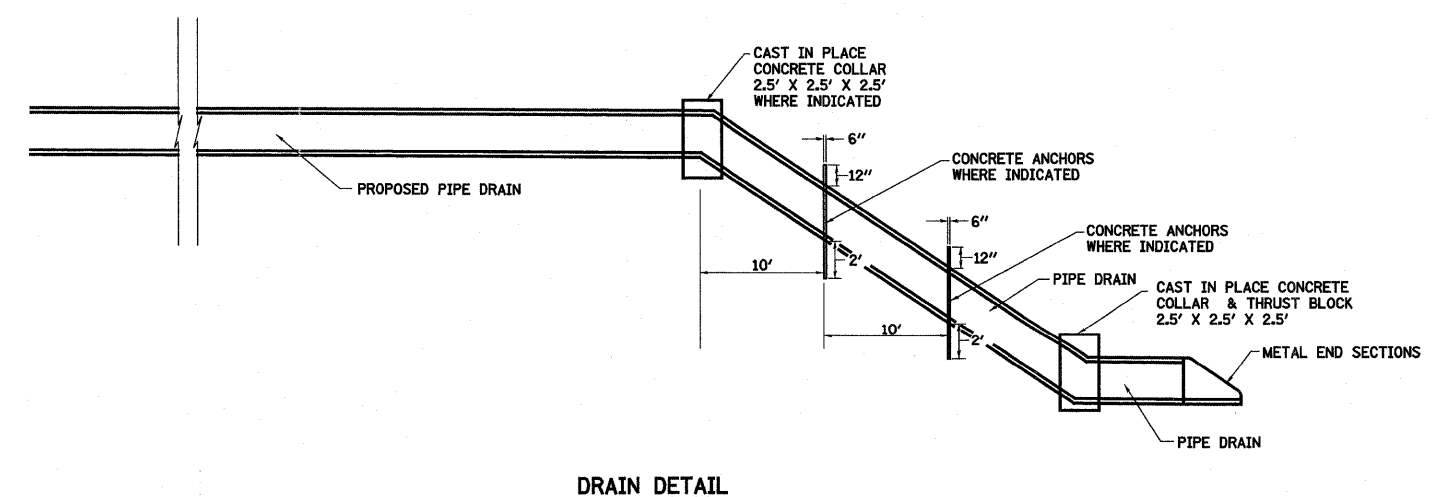


UTILITY SECTION AT LT. STA 70+80.00



NOTE:
CLASS SI CONCRETE SHALL BE USED.



FILE NAME =	USER NAME = paul	DESIGNED - JWS	REVISED -	STATE OF ILLINOIS DEPARTMENT OF TRANSPORTATION	MISCELLANEOUS DETAILS		F.A.I. RTE.	SECTION	COUNTY	TOTAL SHEETS	SHEET NO.	
S:\Projects\403-00072-51-70\dgn\miscellaneous\miscellaneous.dgn	PLOT SCALE = 100.0000' / IN.	DRAWN - PDB	REVISED -		SCALE:	SHEET NO. 1 OF 1 SHEETS	STA.	TO STA.	57/70	(25-31I-6 & (25-3HB-2)B	EFFINGHAM	839 328
	PLOT DATE = 6/24/2018	CHECKED - BRM	REVISED -									
		DATE - 11-05-07	REVISED -									
								CONTRACT NO. 74293		ILLINOIS FED. AID PROJECT		