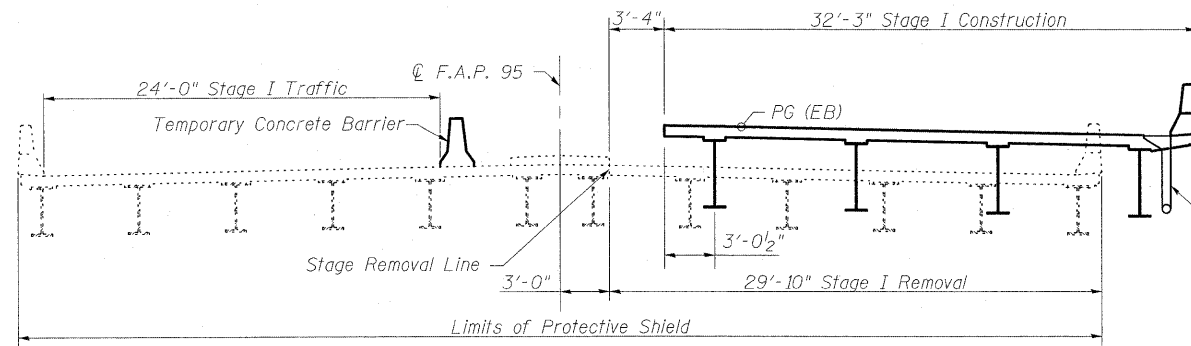
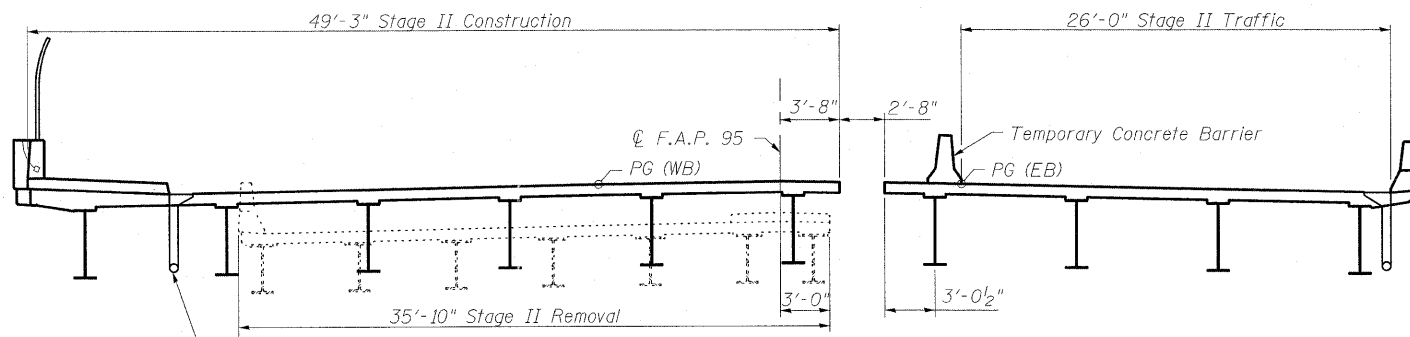


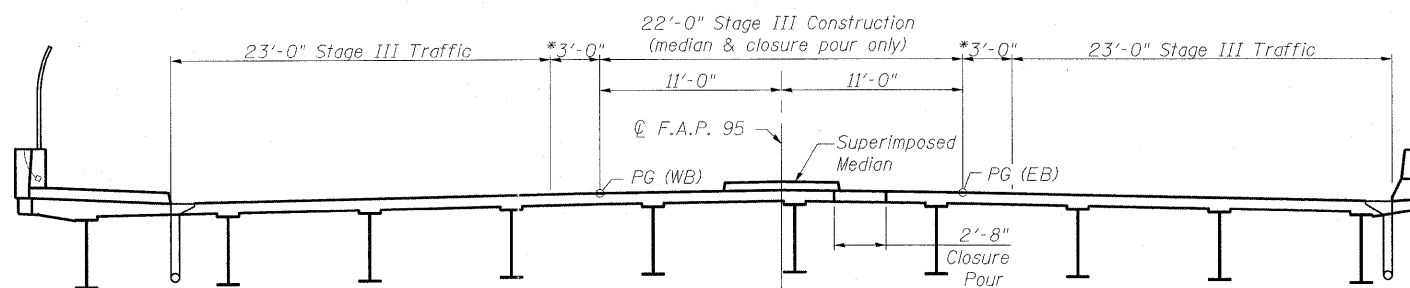
STATE OF ILLINOIS
DEPARTMENT OF TRANSPORTATION



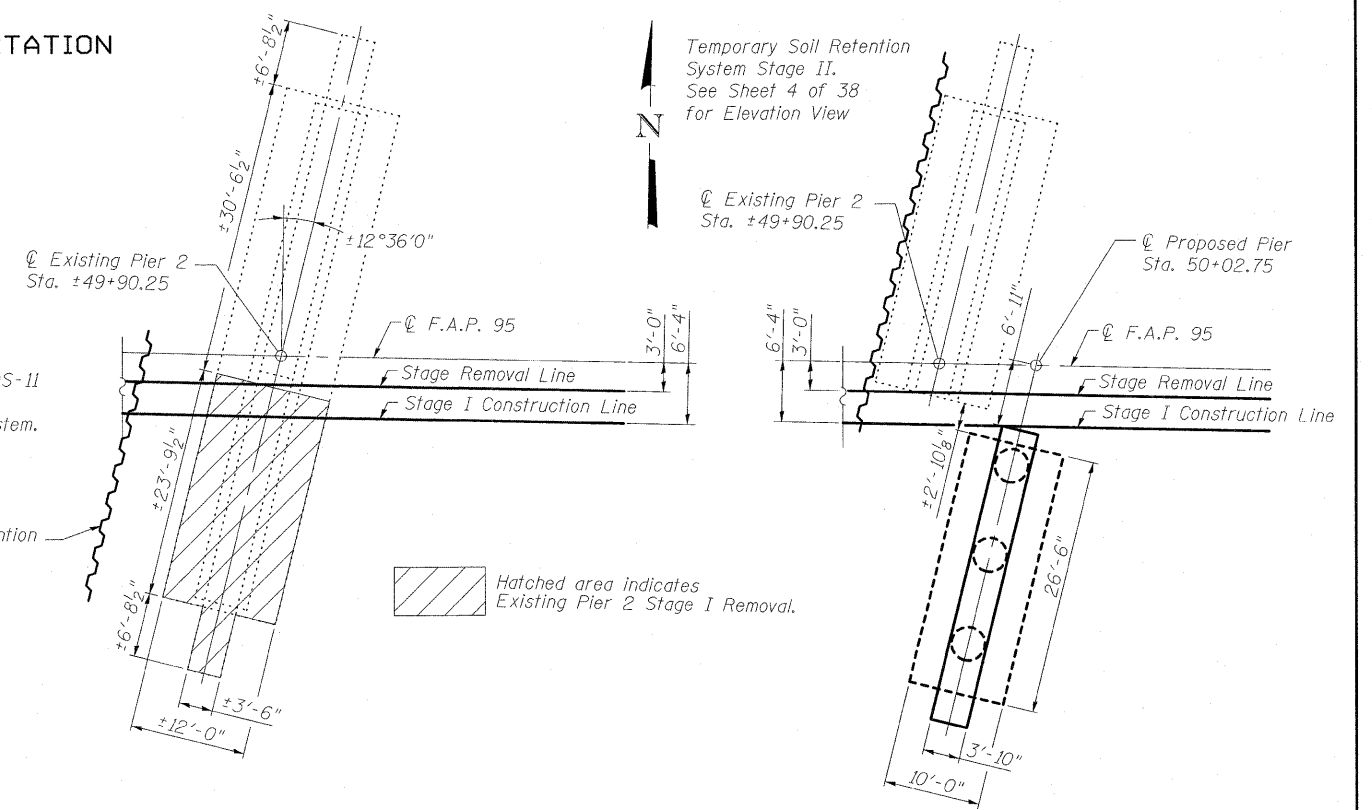
STAGE I CONSTRUCTION
(Looking East)



STAGE II CONSTRUCTION
(Looking East)

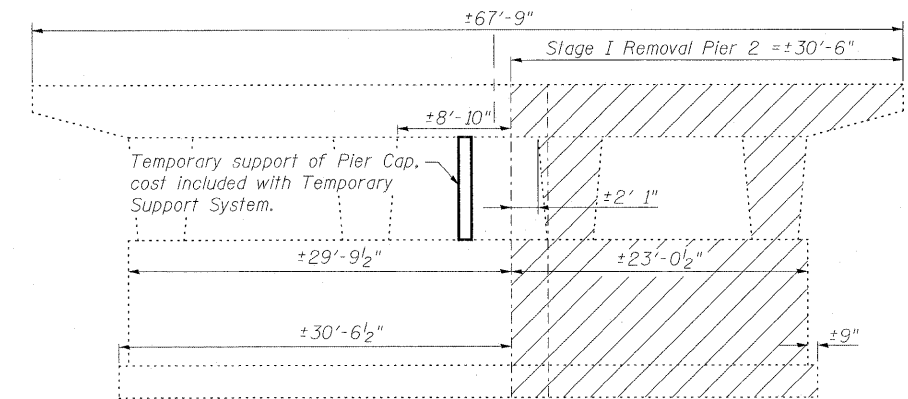


* Temporary Barriers Required See Roadway Plans for type & location.
STAGE III CONSTRUCTION
(Looking East)



EXISTING PIER 2
STAGE I REMOVAL

NEW PIER
STAGE I CONSTRUCTION



EXISTING PIER 2
STAGE I REMOVAL

STAGE CONSTRUCTION DETAILS
STRUCTURE NO. 025-0106

DESIGNED	A.C.S.
CHECKED	B.B.
DRAWN	W.J.S.
CHECKED	C.J.F.



**BERNARDIN
LOCHMUELLER &
ASSOCIATES, INC.**

3 Oak Drive
Maryville, IL 62062-5655
Local (618) 398-4665
Fax 618-288-4666

SHEET NO. 3 38 SHEETS	F.A.I. RTE.	SECTION	COUNTY	TOTAL SHEETS	SHEET NO.
	57/70	(25-3HB-2)B	EFFINGHAM	839	332
SN 025-0106			CONTRACT NO. 74293		
FED. ROAD DIST. NO. 7 ILLINOIS FED. AID PROJECT					