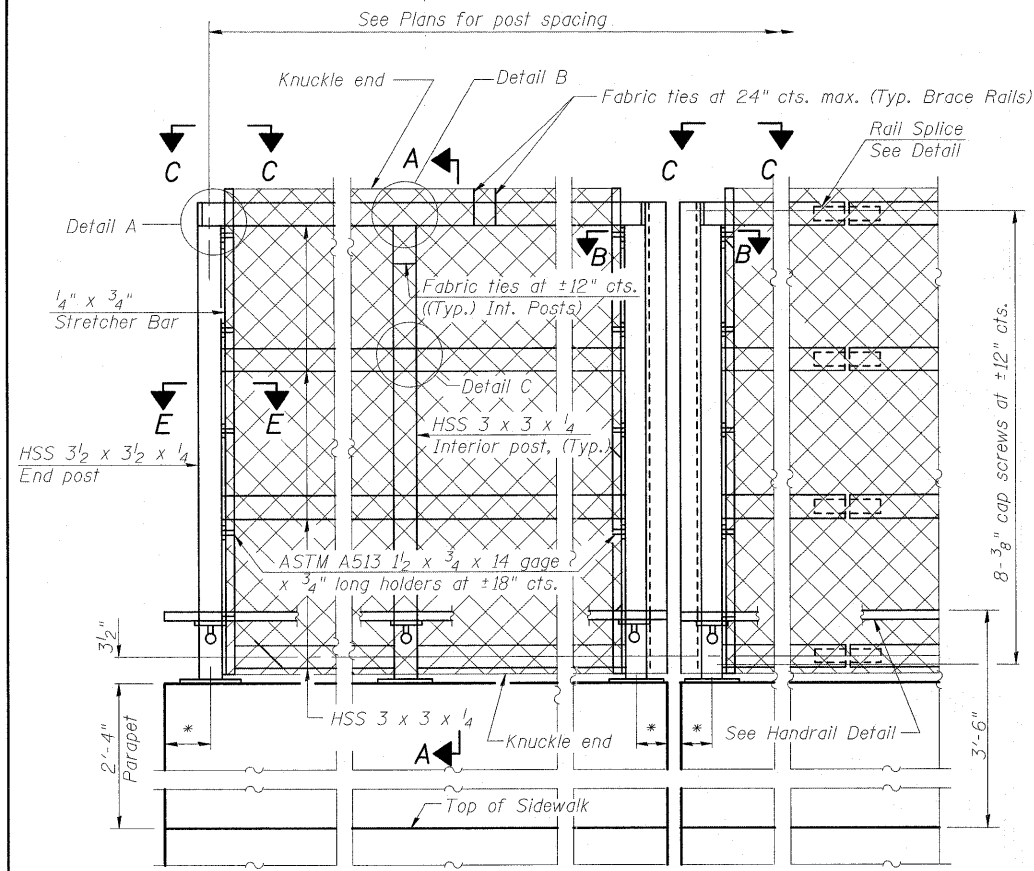
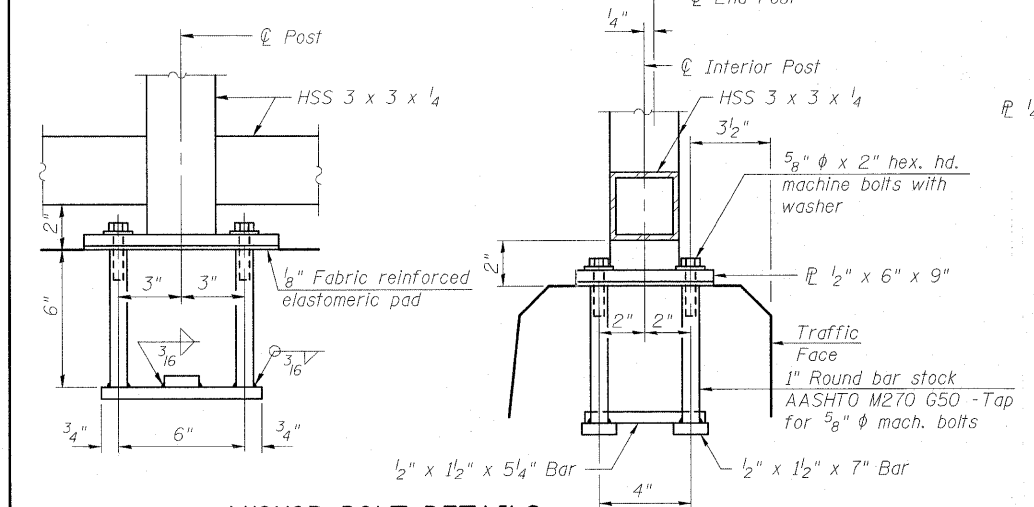


STATE OF ILLINOIS
DEPARTMENT OF TRANSPORTATION



ELEVATION
(Inside Face)



ANCHOR BOLT DETAILS

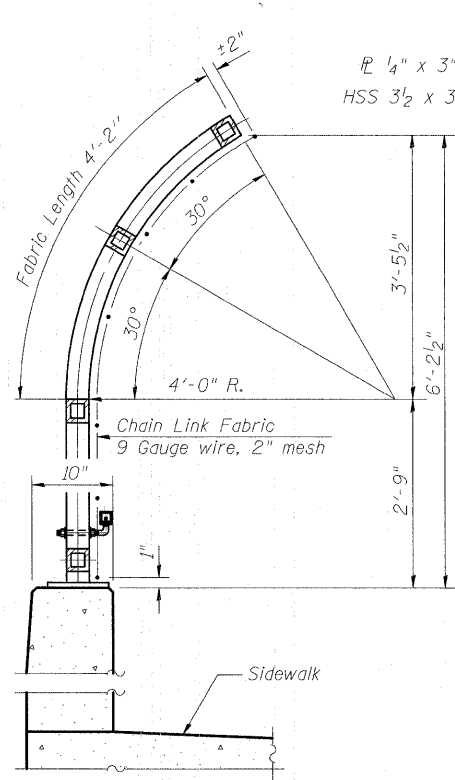
In lieu of the cast-in-place anchor device shown, the Contractor has the option of drilling and setting 5/8" anchor rods according to Article 509.06 of the Standard Specifications. Embedment shall be according to the manufacturer's specifications.

DESIGNED	
CHECKED	
DRAWN	W.J.S.
CHECKED	C.J.F.

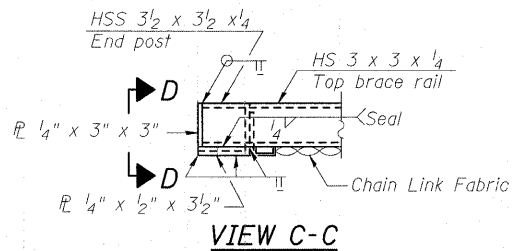
R-32

11-1-09

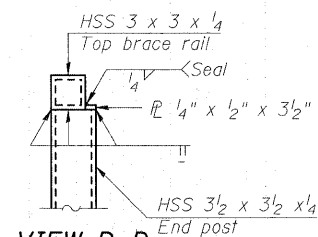
*Variable - See Plans
(10'-0" Maximum Post Spacing)



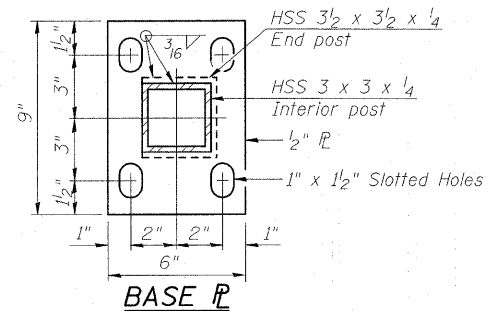
SECTION A-A



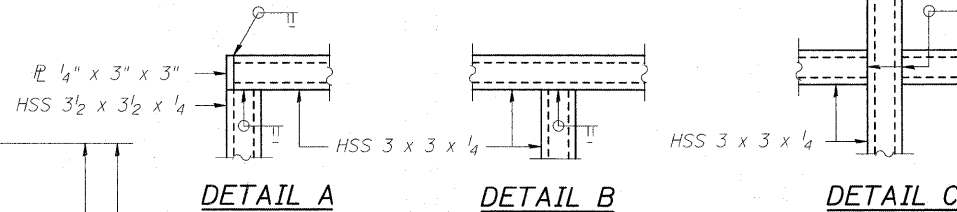
VIEW C-C



VIEW D-D



BASE PLATE

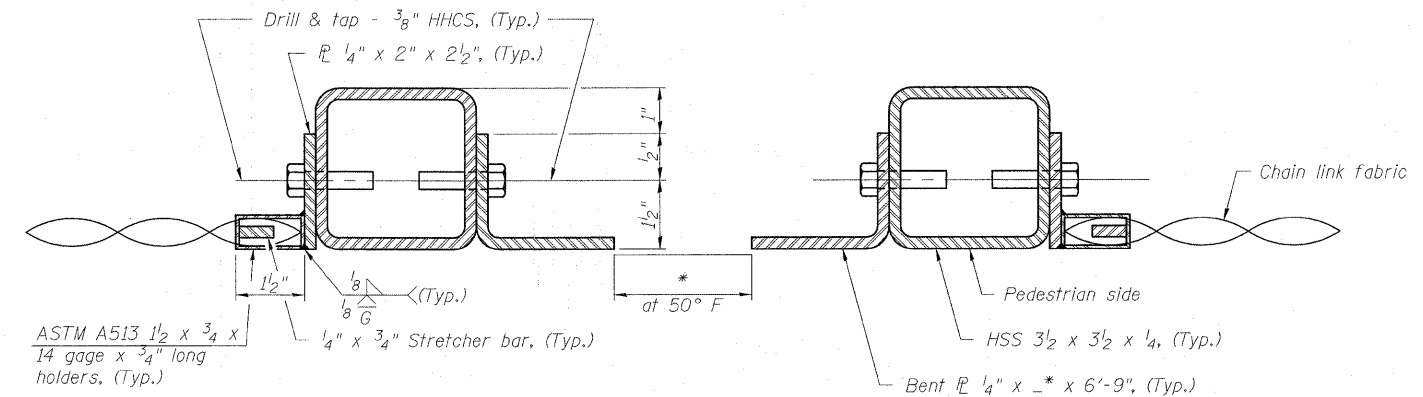


DETAIL A

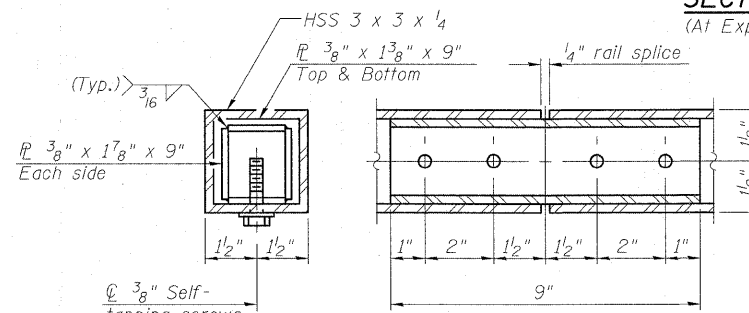
DETAIL B

DETAIL C

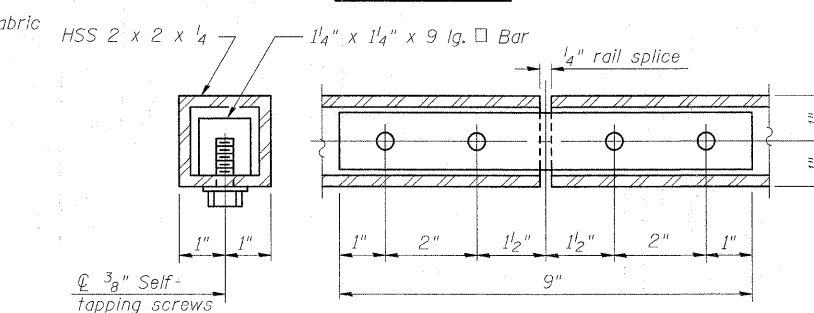
All steel rail elements shall be galvanized according to Article 509.05 of the Standard Specifications.



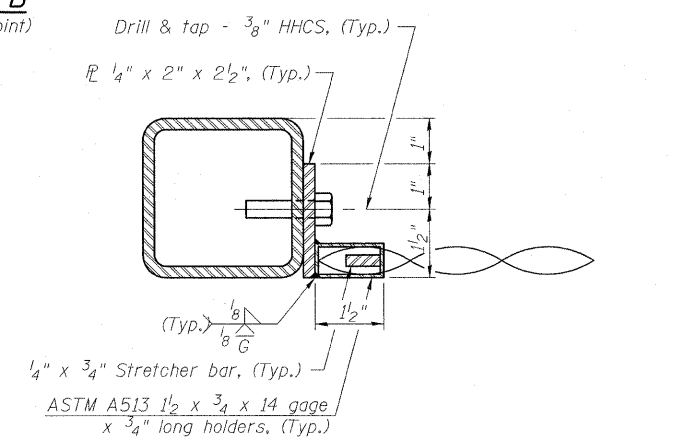
SECTION B-B
(At Expansion Joint)



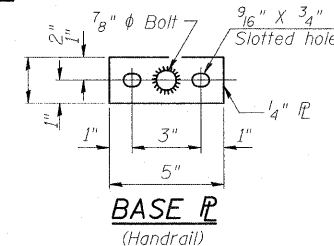
RAIL SPLICE



HANDRAIL SPLICE



SECTION E-E

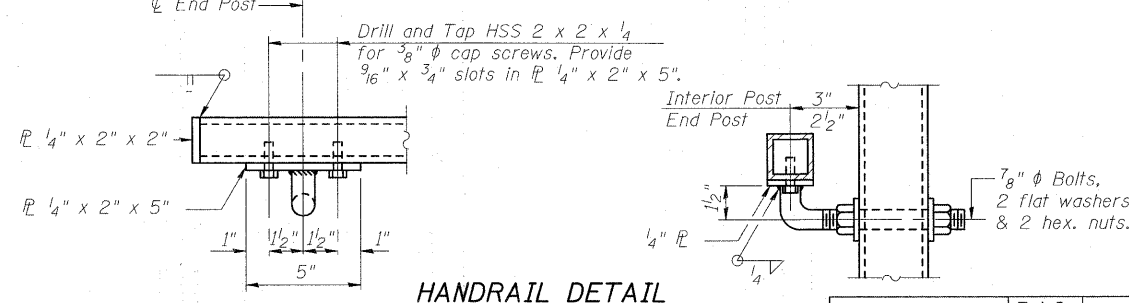


BASE PLATE
(Handrail)

BILL OF MATERIAL

Item	Unit	Quantity
Bridge Fence Railing	Foot	257

**BRIDGE FENCE RAILING
PARAPET MOUNTED
STRUCTURE NO. 025-0106**



HANDRAIL DETAIL



**BERNARD
LOCHMUELLER &
ASSOCIATES, INC.**

3 Oak Drive
Mareville, IL 63062-5635
Local (618) 288-4985
Fax 618-288-4666

SHEET NO. 18 38 SHEETS	F.A.I. RTE. 57/70	SECTION (25-3HB-2)B	COUNTY EFFINGHAM	TOTAL SHEETS 839	SHEET NO. 347
	SN 025-0106		CONTRACT NO. 74293		
FED. ROAD DIST. NO. 7 ILLINOIS FED. AID PROJECT					