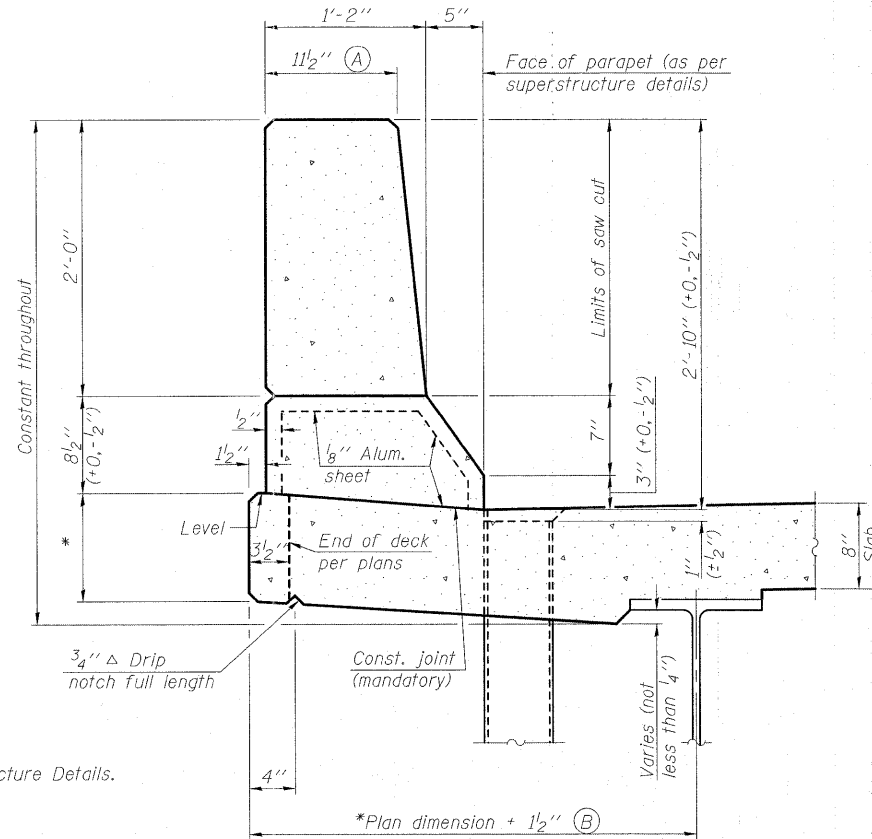
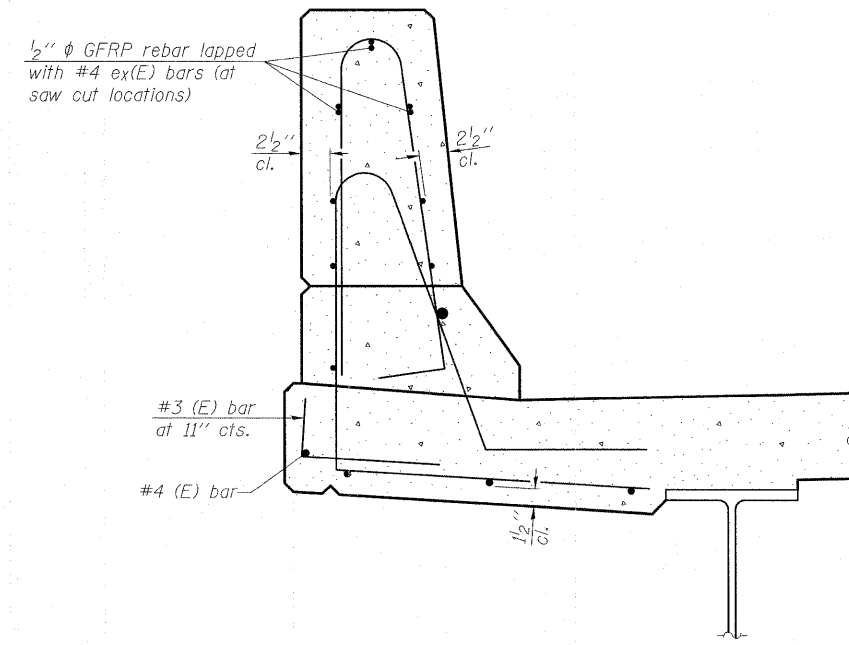


STATE OF ILLINOIS
DEPARTMENT OF TRANSPORTATION



SECTION
(Showing dimensions)



SECTION
(Showing reinforcement clearances for slip forming and additional reinforcement bars)

GENERAL NOTES

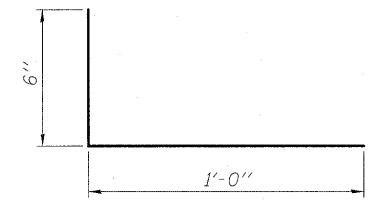
All dimensions shall remain the same as shown on superstructure details, except dimensions A and B which are to be revised as shown to provide additional clearance. Additional concrete needed to revise dimension A and B = 0.0165 cu. yds./ft. of parapet.

Place aluminum sheet in curb portion at and near piers. Full thickness saw cut at all joint locations in lieu of cork joint filler.

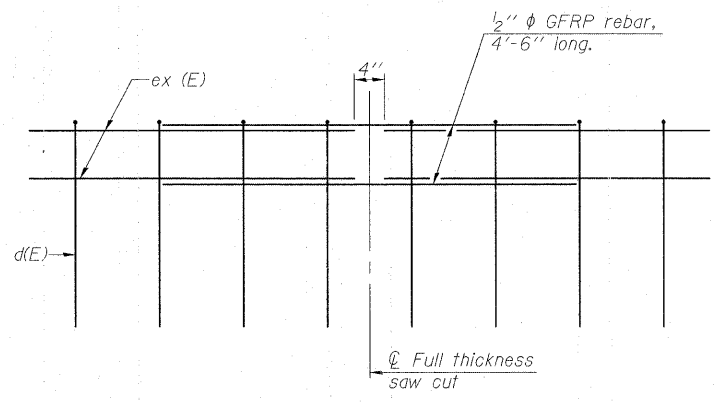
Steel superstructure shown. Other superstructure types similar.

Slipforming of North Parapet is not allowed.

Slipforming of 57/70 Median Parapets is not allowed.



#3 (E) BAR



GFRP REBAR STIFFENING DETAIL
(Place as shown in parapet section at each parapet joint location.)

**CONCRETE PARAPET
SLIPFORMING OPTION
STRUCTURE NO. 025-0106**

DESIGNED	
CHECKED	
DRAWN	W.J.S.
CHECKED	C.J.F.

SFP-34 11-1-09

**BERNARDIN
LOCHMUELLER &
ASSOCIATES, INC.**

3 Oak Drive
Maryville, IL 62452-5635
Local (618) 298-4665
Fax 618-298-4666

SHEET NO. 19 38 SHEETS	F.A.I. RTE.	SECTION	COUNTY	TOTAL SHEETS	SHEET NO.
	57/70	(25-3HB-2)B	EFFINGHAM	839	348
SN 025-0106			CONTRACT NO. 74293		
FED. ROAD DIST. NO. 7 ILLINOIS FED. AID PROJECT					

03/27/22 AM 8/12/2020 X:\250106\10y_sfp-34.dgn