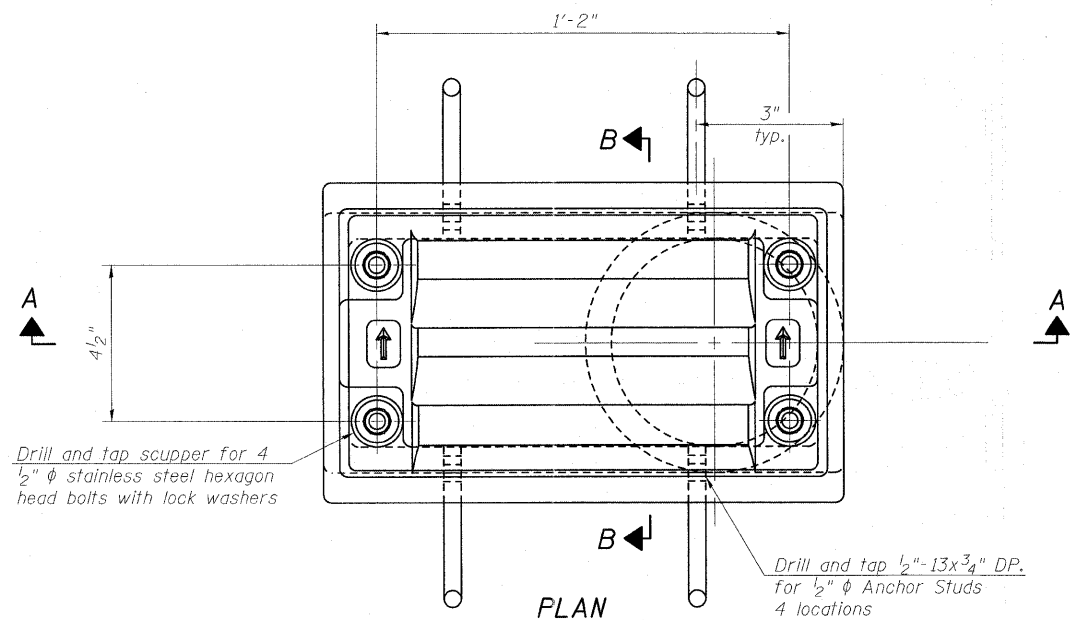
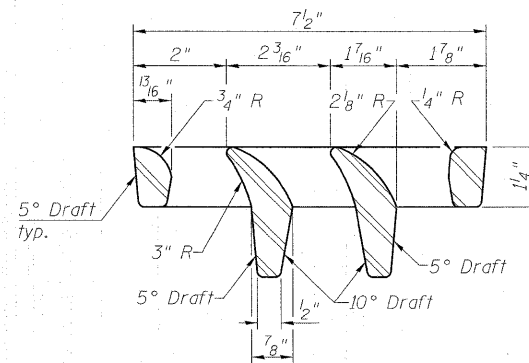


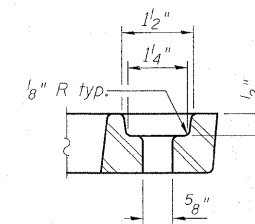
STATE OF ILLINOIS
DEPARTMENT OF TRANSPORTATION



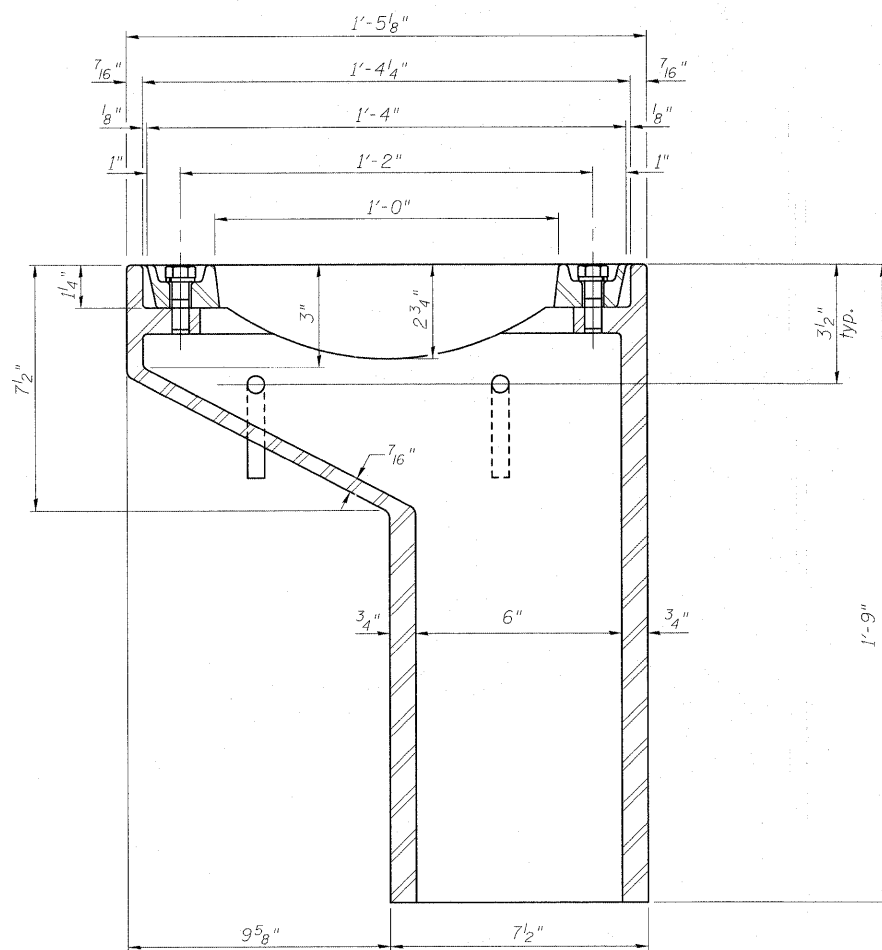
PLAN



VANE GRATE DETAIL

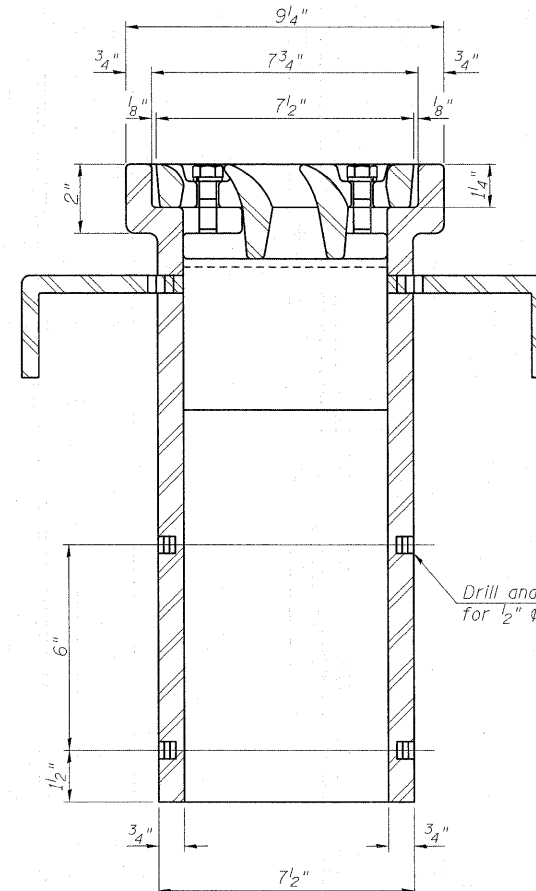


BOLT HOLE DETAIL



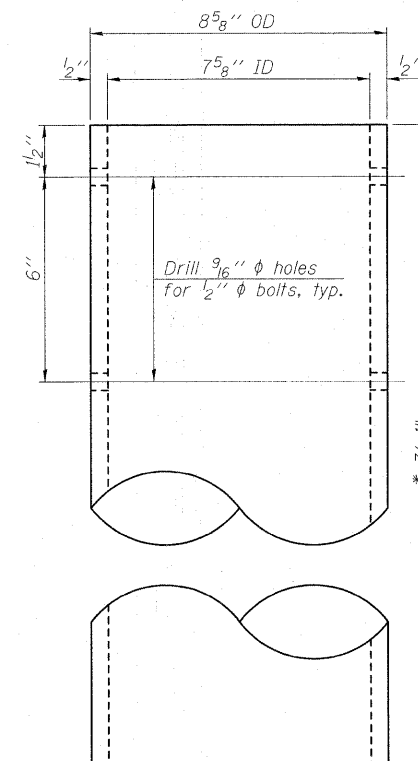
SECTION A-A

See sheets 16 & 22 of 38 for scupper location relative to parapet.

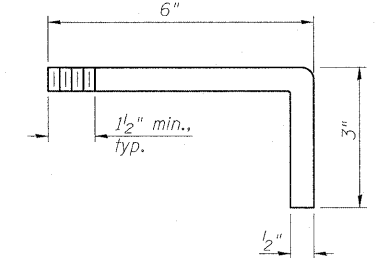


SECTION B-B

Drill and tap 1/2"-13x1/2" DP. for 1/2" φ bolts. (4 locations)



DOWNSPOUT



ANCHOR STUD DETAIL

* Dimension of downspout may be modified to fit Bridge Closed Drainage System.

BILL OF MATERIAL

ITEM	UNIT	QUANTITY
Drainage Scupper, DS-11	Each	8

DRAINAGE SCUPPER, DS-11
STRUCTURE NO. 025-0106

DESIGNED	
CHECKED	
DRAWN	W.J.S.
CHECKED	C.J.F.

DS-11

11-1-09



BERNARDIN
LOCHMUELLER &
ASSOCIATES, INC.

3 Oak Drive
Maryville, IL 62062-5835
Local (618) 288-4665
Fax 618-288-4666

SHEET NO. 20 38 SHEETS	F.A.I. RTE. 57/70	SECTION (25-3HB-2)B	COUNTY EFFINGHAM	TOTAL SHEETS 839	SHEET NO. 349
	SN 025-0106		CONTRACT NO. 74293		
FED. ROAD DIST. NO. 7 ILLINOIS FED. AID PROJECT					