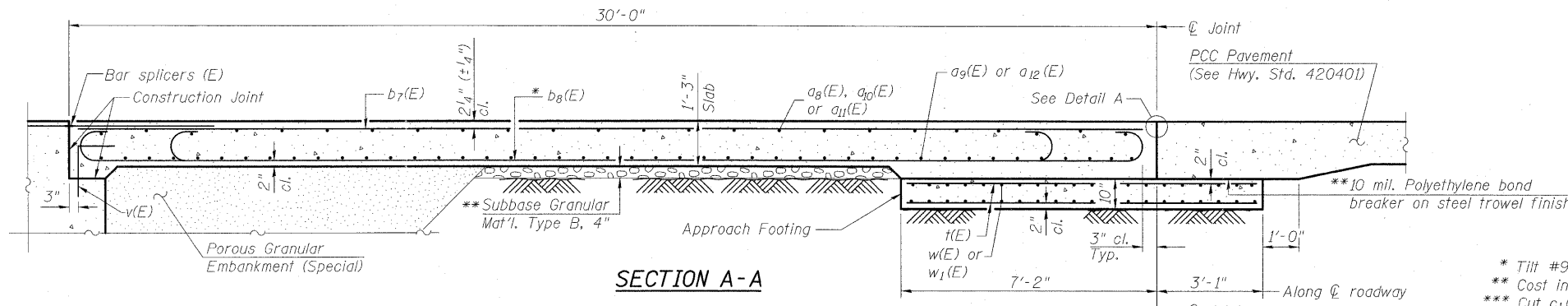


STATE OF ILLINOIS
DEPARTMENT OF TRANSPORTATION

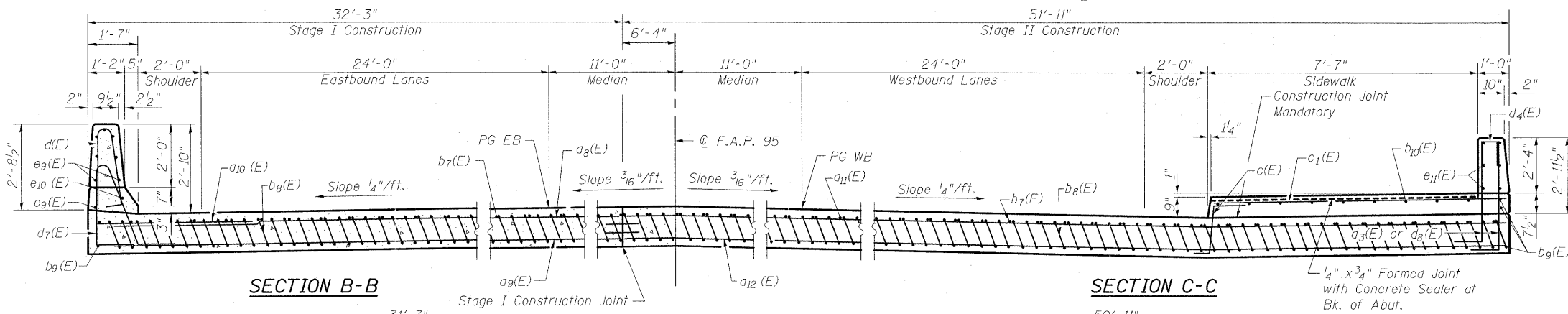
Notes:

See sheet 23 of 38 for Detail A.
Approach slab and parapet concrete shall be paid for as Concrete Superstructure.
Approach footing concrete shall be paid for as Concrete Structures.
Reinforcement shall be paid for as Reinforcement Bars, Epoxy Coated.
For v(E), c(E), c₃(E), d₃(E) and d₄(E) bar details, see sheet 16 of 38.
The approach footing maximum applied service bearing pressure (Q_{max}) = 2.0 ksf.
For bar splicer details, see sheet 34 of 38.
Cost of excavation for approach footing included with Concrete Structures.
For Porous Granular Embankment (Special) and drainage treatment details, see sheet 2 of 38.
For additional parapet details, see sheet 16 of 38.
Superimposed Median not shown for clarity, see sheet 16 of 38.

* Tilt #9 b₈(E) bars as required to maintain clearance.
** Cost included with Concrete Superstructure.
*** Cut c₁(E) bars to fit.

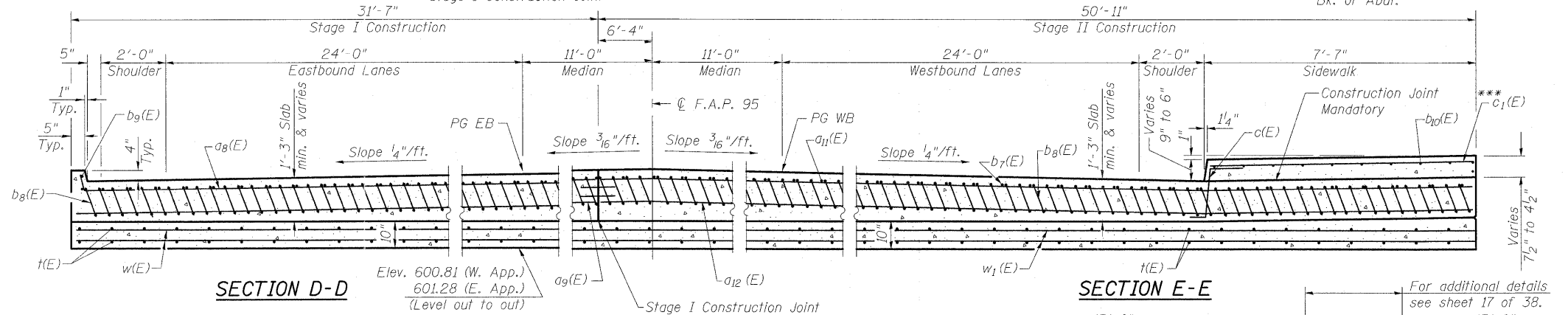


SECTION A-A



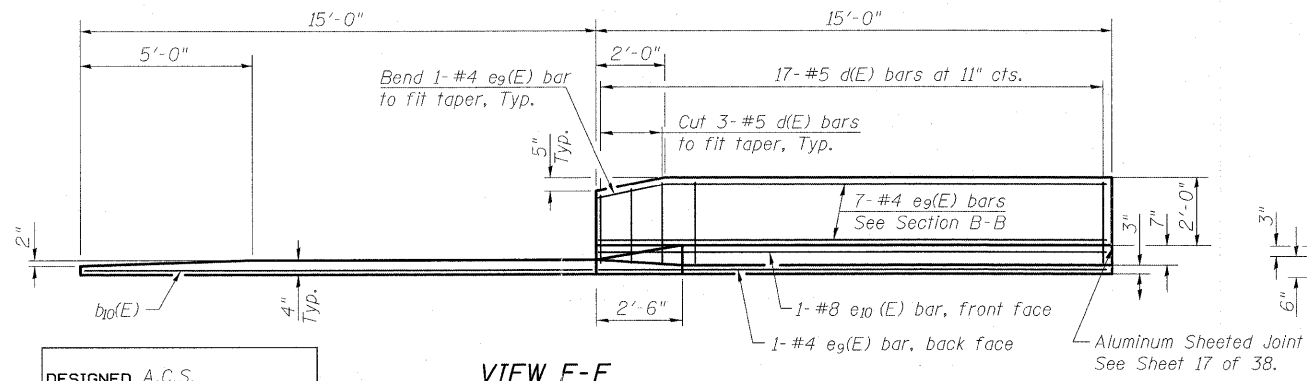
SECTION B-B

SECTION C-C



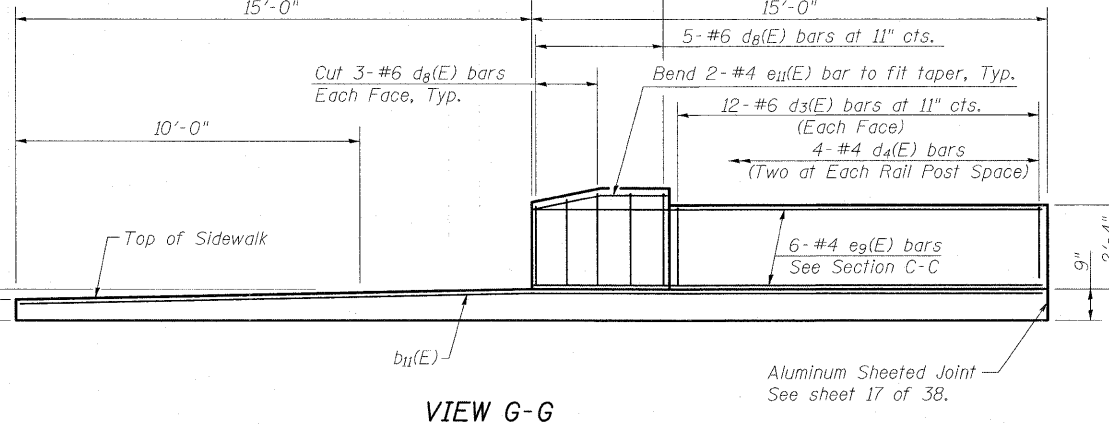
SECTION D-D

SECTION E-E



VIEW F-F

(E. Approach Slab shown)
(W. Approach Slab similar, opposite hand)



VIEW G-G

(W. Approach Slab shown)
(E. Approach Slab similar, opposite hand)

TWO APPROACHES
BILL OF MATERIAL

Bar	No.	Size	Length	Shape
a ₈ (E)	50	#4	32'-5"	—
a ₉ (E)	92	#5	32'-1"	—
a ₁₀ (E)	24	#6	6'-6"	—
a ₁₁ (E)	50	#4	51'-11"	—
a ₁₂ (E)	92	#5	51'-11"	—
b ₇ (E)	134	#4	29'-8"	—
b ₈ (E)	396	#9	29'-9"	—
b ₉ (E)	10	#5	14'-9"	—
b ₁₀ (E)	34	#5	29'-9"	—
c(E)	62	#5	2'-5"	—
c ₁ (E)	62	#5	8'-2"	—
c ₂ (E)	62	#5	6'-10"	—
c ₃ (E)	124	#5	1'-4"	—
d(E)	34	#5	5'-7"	—
d ₃ (E)	48	#6	4'-6"	—
d ₄ (E)	8	#4	2'-0"	—
d ₇ (E)	34	#5	7'-11"	—
d ₈ (E)	20	#6	6'-0"	—
e ₉ (E)	28	#4	14'-9"	—
e ₁₀ (E)	2	#8	14'-9"	—
e ₁₁ (E)	4	#4	3'-9"	—
h(E)	340	#4	10'-0"	—
w(E)	80	#5	32'-1"	—
w ₁ (E)	80	#5	52'-3"	—
Concrete Superstructure	Cu. Yd.		261.9	
Concrete Structures	Cu. Yd.		52.4	
Reinforcement Bars, Epoxy Coated	Pound		67070	
Bar Splicers	Each		222	

BRIDGE APPROACH SLAB DETAILS
STRUCTURE NO. 025-0106

DESIGNED	A.C.S.
CHECKED	B.B.
DRAWN	W.J.S.
CHECKED	C.J.F.

SHEET NO. 25 38 SHEETS	F.A.I. RTE.	SECTION	COUNTY	TOTAL SHEETS	SHEET NO.
	57/70	(25-3HB-2)B	EFFINGHAM	839	354
		SN 025-0106	CONTRACT NO. 74293		
FED. ROAD DIST. NO. 7 ILLINOIS FED. AID PROJECT					

BERNARDIN LOCHMUELLER & ASSOCIATES, INC.

3 Oak Drive
Maryville, IL 62452-5655
Local (618) 388-4665
Fax 618-388-4666