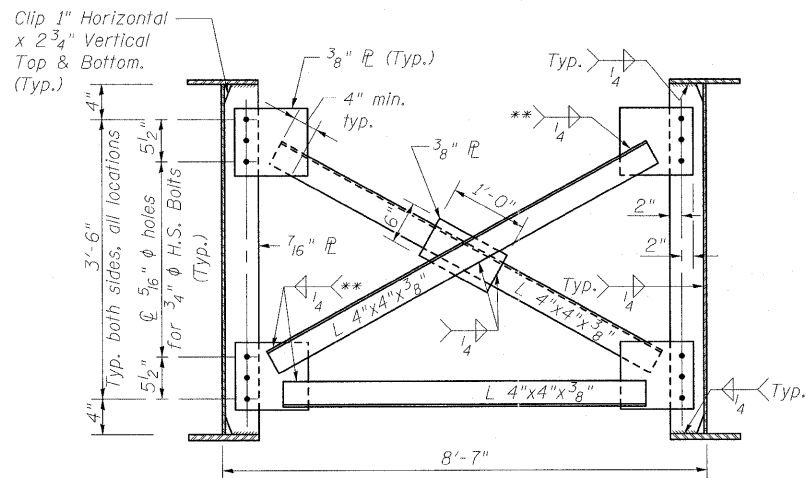


STATE OF ILLINOIS
DEPARTMENT OF TRANSPORTATION

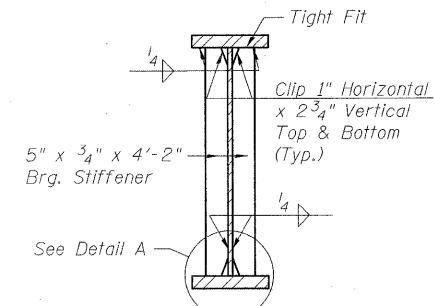


INTERIOR CROSSFRAME CF
(99 Required)

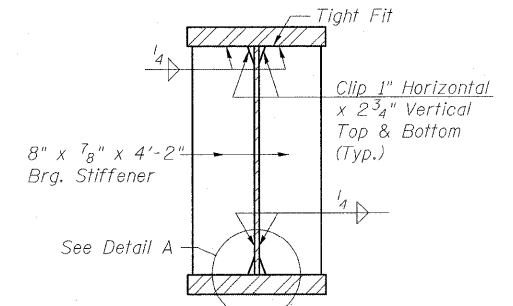
**Fillet weld angles along 3 sides on one face of gusset plate.

**TEMPORARY INTERIOR CROSSFRAME
INSTALLATION PROCEDURE**

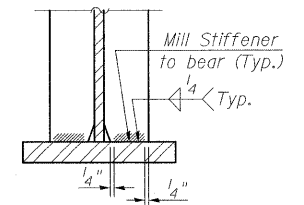
1. Install Stage I temporary Interior Crossframe (CF*) before Stage I deck pour.
2. Remove Stage I temporary Interior Crossframe (CF*) prior to Stage II removal.
3. Install Stage II temporary Interior Crossframe (CF*) before Stage II deck pour.
4. Remove Stage II temporary Interior Crossframe (CF*) prior to Stage III closure pour.



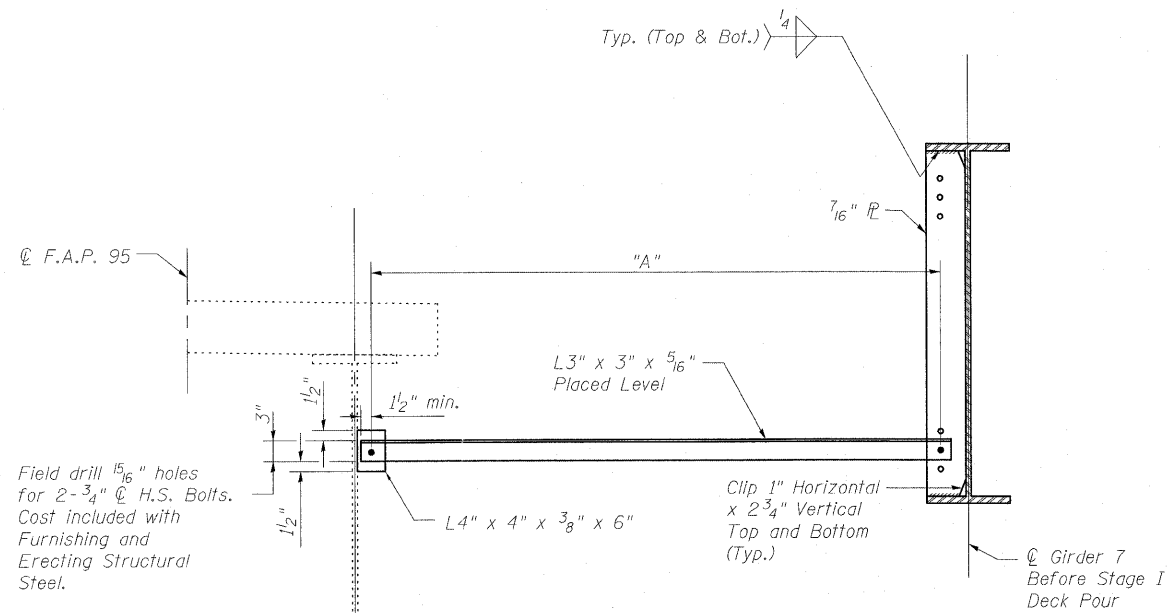
SECTION AT ABUT.



SECTION AT PIER

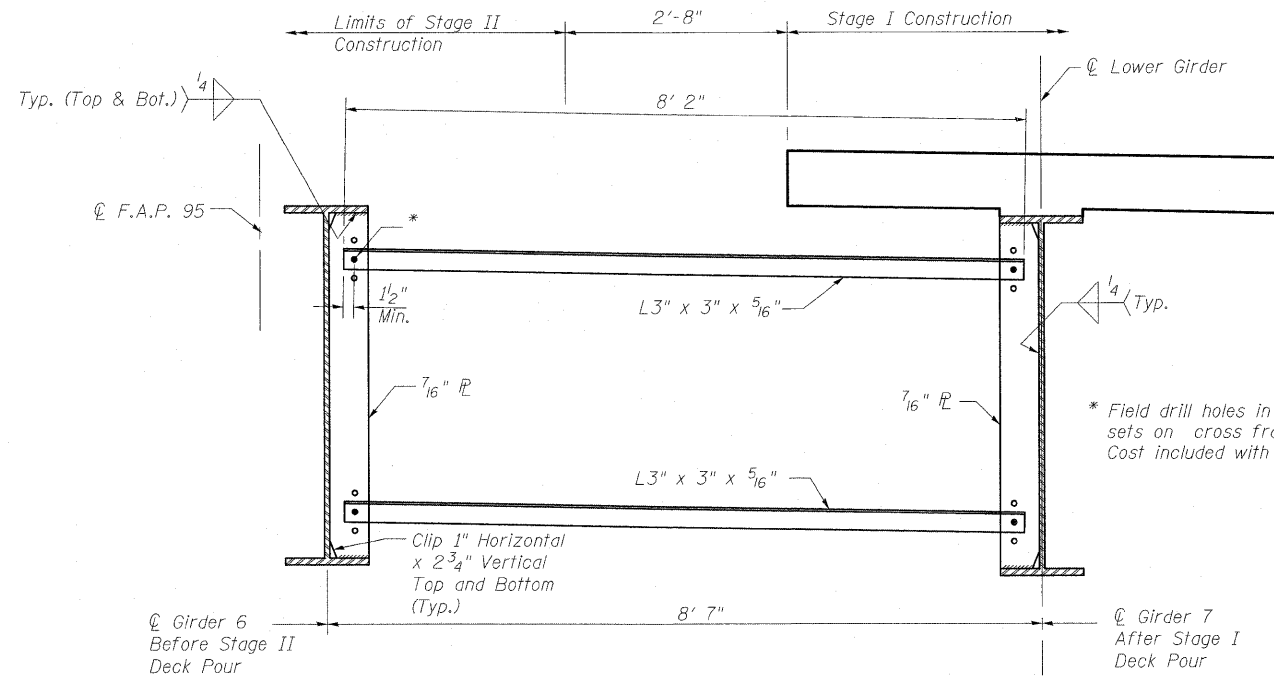


DETAIL A



**STAGE I TEMPORARY
INTERIOR CROSSFRAME**
(10 Required)

Field drill 1 5/16" holes for 2-3/4" H.S. Bolts. Cost included with Furnishing and Erecting Structural Steel.



**STAGE II TEMPORARY
INTERIOR CROSSFRAME**
(10 Required)

* Field drill holes in L3"x3" angle using center holes in 3 hole sets on cross frame connection plates as a template. Cost included with Furnishing and Erecting Structural Steel.

Note:
Stop fillet weld from connection plate to flange 1/4" from end of connection plate.
Bolts connecting temporary bracing shall be 7/8" φ bolts in 1 1/16" φ holes. All other holes in connection plates shall be 1 5/16" φ for 3/4" φ bolts.
Cost of Stage I and Stage II Temporary Interior Crossframes included with Furnishing and Erecting Structural Steel.

**STRUCTURAL STEEL
CROSS FRAMING DETAILS
STRUCTURE NO. 025-0106**

DESIGNED	A.C.S.
CHECKED	B.B.
DRAWN	W.J.S.
CHECKED	C.J.F.



**BERNARDIN
LOCHMUELLER &
ASSOCIATES, INC.**

3 Oak Drive
Merriville, IL 60452-5635
Local (618) 288-4666
Fax 618-288-4666

SHEET NO. 29B 38 SHEETS	F.A.I. RTE. 57/70	SECTION (25-3HB-2)B	COUNTY EFFINGHAM	TOTAL SHEETS 839	SHEET NO. 358A
	SN 025-0106		CONTRACT NO. 74293		
FED. ROAD DIST. NO. 7 ILLINOIS FED. AID PROJECT					