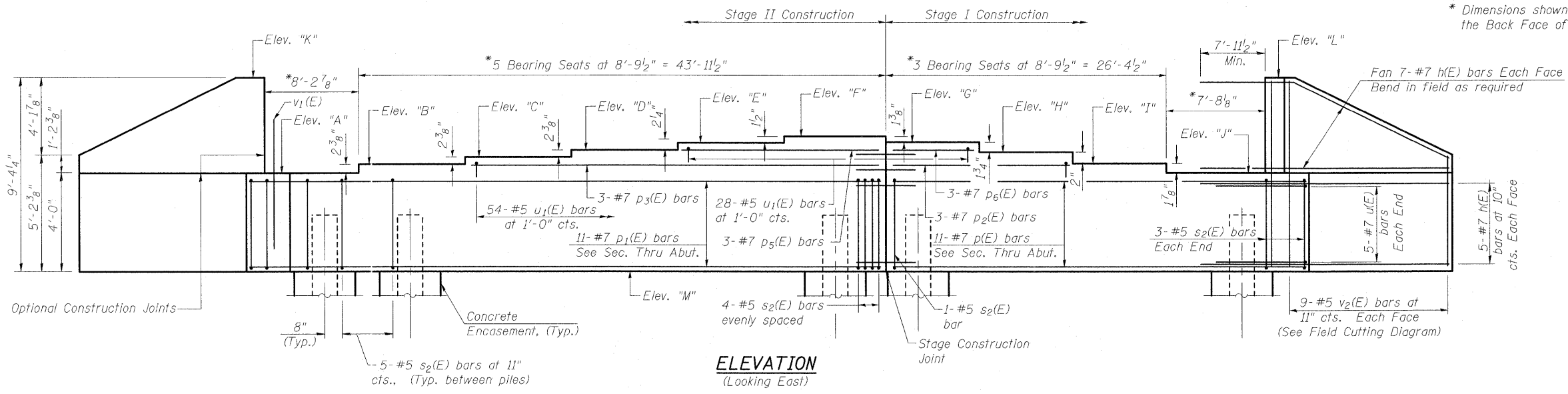
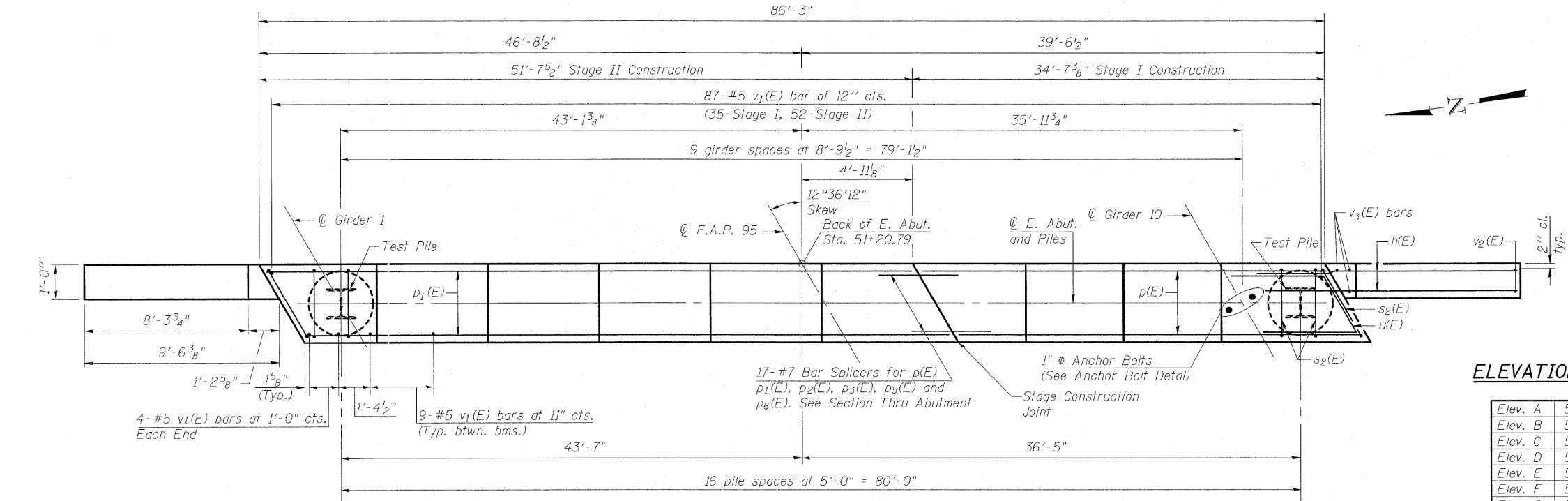
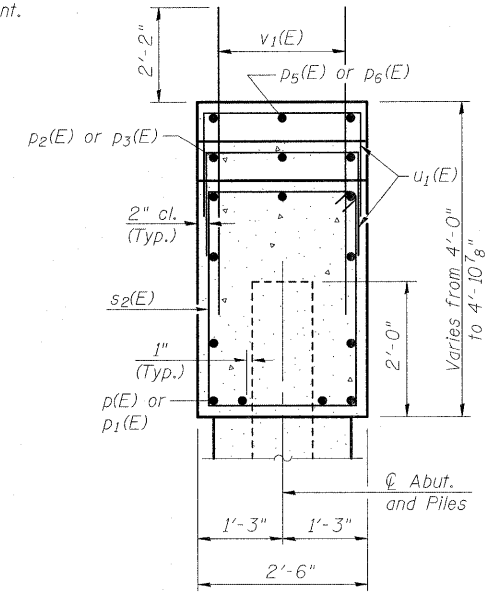


STATE OF ILLINOIS
DEPARTMENT OF TRANSPORTATION



* Dimensions shown are taken at the Back Face of the abutment.



ELEVATION DATA

Elev. A	598.37
Elev. B	598.57
Elev. C	598.77
Elev. D	598.96
Elev. E	599.14
Elev. F	599.28
Elev. G	599.15
Elev. H	599.01
Elev. I	598.84
Elev. J	598.68
Elev. K	603.74
Elev. L	603.91
Elev. M	594.37

BILL OF MATERIAL

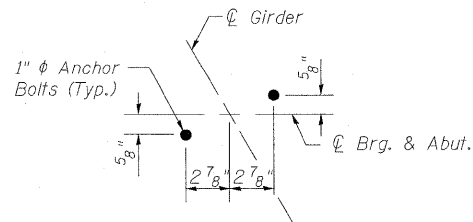
Bar	No.	Size	Length	Shape
h(E)	48	#7	18'-4"	—
p(E)	11	#7	34'-4"	—
p ₁ (E)	11	#7	51'-4"	—
p ₂ (E)	3	#7	17'-10"	—
p ₃ (E)	3	#7	34'-10"	—
p ₅ (E)	3	#7	17'-4"	—
p ₆ (E)	3	#7	9'-1"	—
s ₂ (E)	89	#5	12'-7"	□
u(E)	8	#7	8'-9"	┌
u ₁ (E)	82	#5	5'-0"	□
v ₁ (E)	176	#5	4'-4"	—
v ₂ (E)	18	#5	13'-7"	—
v ₃ (E)	6	#5	8'-11"	—
Structure Excavation			Cu. Yd.	318
Concrete Structures			Cu. Yd.	41.4
Reinforcement Bars, Epoxy Coated			Pound	7060
Furnishing Steel Piles, HP 12x63			Foot	675
Driving Piles			Foot	675
Test Pile Steel HP 12x63			Each	2
Concrete Encasement			Cu. Yd.	6
Pile Shoes			Each	15
Bar Splicers			Each	17

For details of Bar Splicers, see sheet 34 of 38.

PILE DATA

Type: HP 12x63 with Pile Shoes
Nominal Required Bearing: 497 k
Factored Resistance Available: 249 k
Est. Length: 45'-0"
No. Production Piles: 15
No. Test Piles: 2

Notes:
Pour steps monolithically with cap.
See sheet 2 of 38 for section thru Integral Abutment showing drainage details.
For detail of piles and Concrete Encasements see sheet 33 of 38.
Space reinforcement in cap to miss anchor bolts.
For additional bar details see sheet 30 of 38.
For Bill of Materials see sheet 30 of 38.
For details of Bar Splicers, see sheet 34 of 38.
Order p₂(E), p₃(E), p₅(E) and p₆(E) bars full length and cut to fit.
Stage Construction Joint for Abutment does not align with Stage I or Stage II Construction Joints.



DESIGNED	A.C.S.
CHECKED	B.B.
DRAWN	W.J.S.
CHECKED	C.J.F.

**EAST ABUTMENT DETAILS
STRUCTURE NO. 025-0106**

SHEET NO. 31 38 SHEETS	F.A.I. RTE.	SECTION	COUNTY	TOTAL SHEETS	SHEET NO.
	57/70	(25-3HB-2)B	EFFINGHAM	839	360
SN 025-0106			CONTRACT NO. 74293		
FED. ROAD DIST. NO. 7 ILLINOIS FED. AID PROJECT					

BERNARDIN LOCHMUELLER & ASSOCIATES, INC.

3 Oak Drive
Marysville, IL 62452-5655
Local (618) 338-4666
Fax 618-288-4666