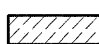

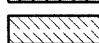
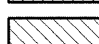


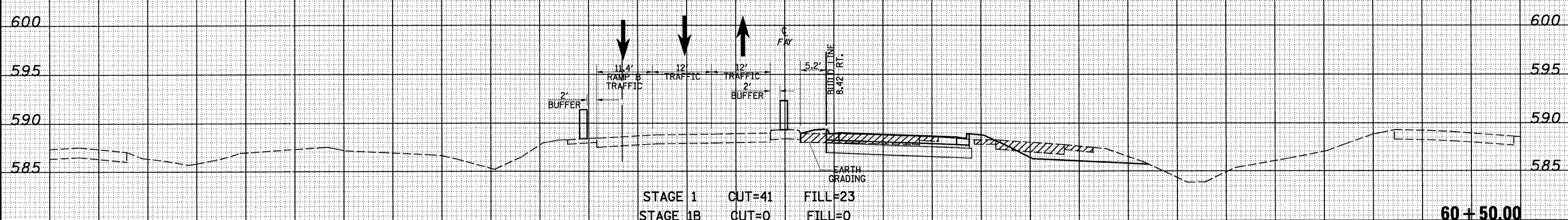
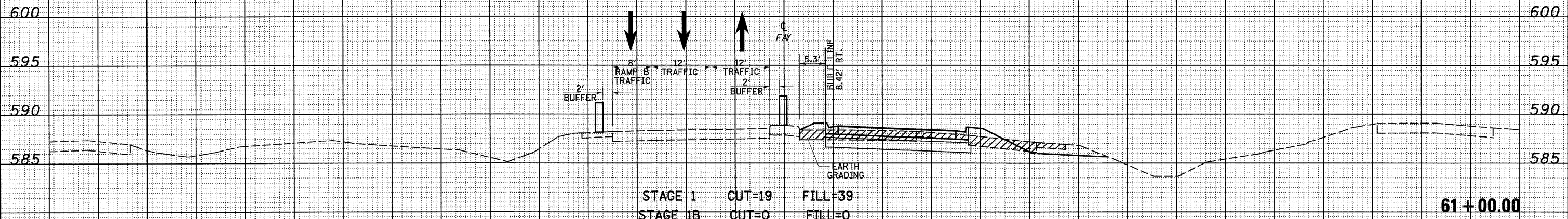
DATE _____
 BY _____
 SURVEYED _____
 PLOTTED _____
 FINAL SURVEY _____
 NOTE BOOK _____
 NO. _____
 AREAS CHECKED _____

DATE _____
 BY _____
 SURVEYED _____
 PLOTTED _____
 ORIGINAL SURVEY _____
 NOTE BOOK _____
 NO. _____
 AREAS CHECKED _____

150 140 130 120 110 100 90 80 70 60 50 40 30 20 10 0 10 20 30 40 50 60 70 80 90 100 110 120 130 140 150

LEGEND

-  - TEMPORARY PCC PAVEMENT
-  - REMOVAL
-  - MILLING
-  - TEMPORARY HOT-MIX ASPHALT RAMP



150 140 130 120 110 100 90 80 70 60 50 40 30 20 10 0 10 20 30 40 50 60 70 80 90 100 110 120 130 140 150

FILE NAME = S:\proj\403\000237\01.dwg
 USER NAME = lnda

DESIGNED - JWS
 DRAWN - LEC
 CHECKED - BRM
 DATE - 11-05-07

REVISIED -
 REVISIED -
 REVISIED -
 REVISIED -

STATE OF ILLINOIS
 DEPARTMENT OF TRANSPORTATION

MAINTENANCE OF TRAFFIC, FAYETTE AVE. (STAGE 1)
 SCALE: 10 SHEET NO. 33 OF 52 SHEETS STA. 60+50.00 TO STA. 61+00.00

F.A. RTE.	SECTION	COUNTY	TOTAL SHEETS	SHEET NO.
57/70	(25-3) I-6	EFFINGHAM	839	598
CONTRACT NO. 74293				

FED. ROAD DIST. NO. ILLINOIS FED. AID PROJECT