

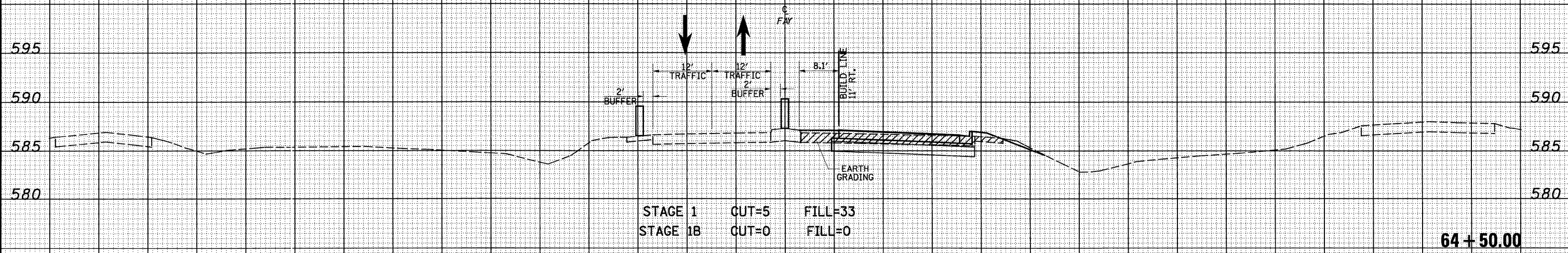
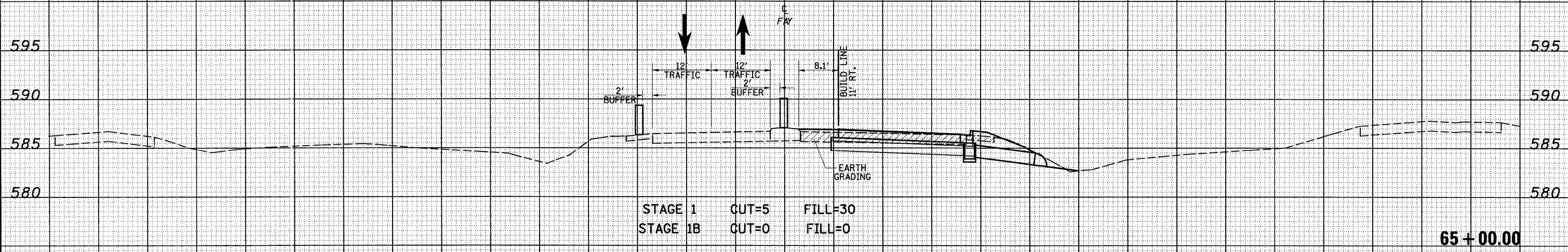
DATE _____
 BY _____
 SURVEYED _____
 PLOTTED _____
 FINAL SURVEY _____
 NOTE BOOK _____
 TEMPLATE _____
 AREAS _____
 AREAS CHECKED _____

DATE _____
 BY _____
 SURVEYED _____
 PLOTTED _____
 ORIGINAL SURVEY _____
 NOTE BOOK _____
 TEMPLATE _____
 AREAS _____
 AREAS CHECKED _____

150 140 130 120 110 100 90 80 70 60 50 40 30 20 10 0 10 20 30 40 50 60 70 80 90 100 110 120 130 140 150

LEGEND

- TEMPORARY PCC PAVEMENT
- REMOVAL
- MILLING
- TEMPORARY HOT-MIX ASPHALT RAMP



150 140 130 120 110 100 90 80 70 60 50 40 30 20 10 0 10 20 30 40 50 60 70 80 90 100 110 120 130 140 150

FILE NAME = S:\Projects\483\88872.57\70.dgn\fig\stage1\HWI\Fig01.dgn
 USER NAME = lunde
 PLOT SCALE = 20,00000' / IN.
 PLOT DATE = 6/24/2010

DESIGNED - JWS
 DRAWN - LEC
 CHECKED - BRM
 DATE - 11-05-07

REVISED -
 REVISED -
 REVISED -
 REVISED -

**STATE OF ILLINOIS
 DEPARTMENT OF TRANSPORTATION**

MAINTENANCE OF TRAFFIC, FAYETTE AVE. (STAGE 1)

SCALE: 1"=10' SHEET NO. 37 OF 52 SHEETS STA. 64+50.00 TO STA. 65+00.00

F.A. RTE. 57/70	SECTION (25-3) I-6	COUNTY EFFINGHAM	TOTAL SHEETS 839	SHEET NO. 602
FED. ROAD DIST. NO. ILLINOIS FED. AID PROJECT			CONTRACT NO. 74293	