

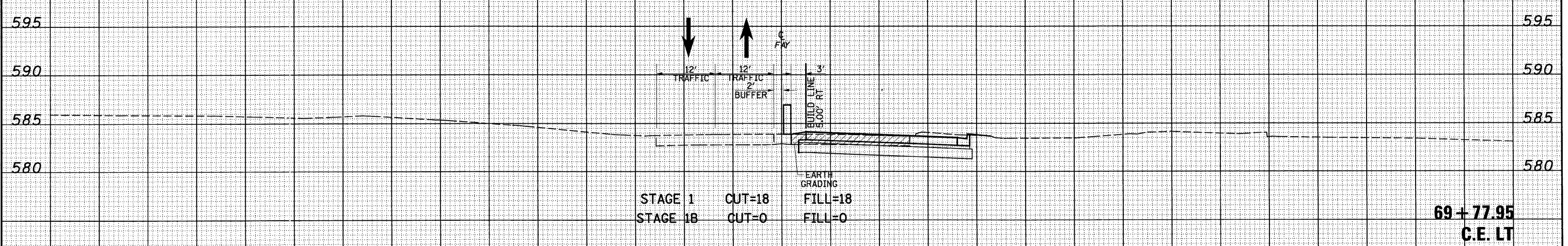
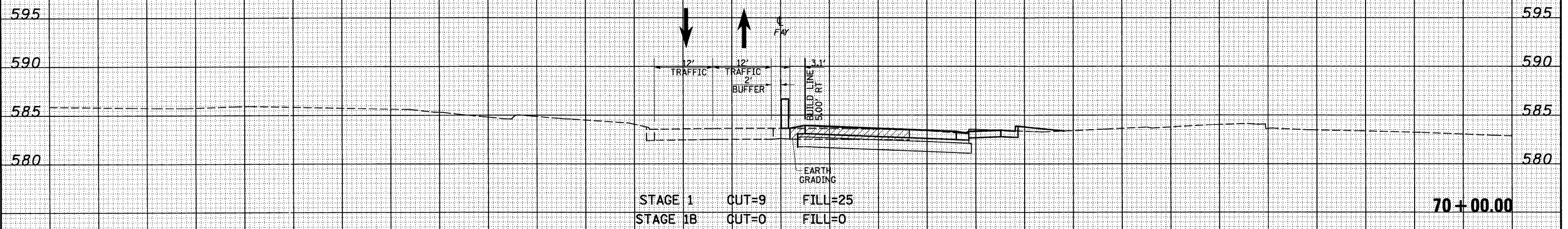
DATE _____
 BY _____
 ORIGINAL SURVEY _____
 SURVEY PLOTTED _____
 NOTE BOOK _____
 TEMPLATE _____
 AREAS CHECKED _____
 NO. _____

DATE _____
 BY _____
 ORIGINAL SURVEY _____
 SURVEY PLOTTED _____
 NOTE BOOK _____
 TEMPLATE _____
 AREAS CHECKED _____
 NO. _____

150 140 130 120 110 100 90 80 70 60 50 40 30 20 10 0 10 20 30 40 50 60 70 80 90 100 110 120 130 140 150

LEGEND

- TEMPORARY PCC PAVEMENT
- REMOVAL
- MILLING
- TEMPORARY HOT-MIX ASPHALT RAMP



150 140 130 120 110 100 90 80 70 60 50 40 30 20 10 0 10 20 30 40 50 60 70 80 90 100 110 120 130 140 150

FILE NAME = S:\Project\403\001231\70\dmf\eggral\asst\HW\Stage1.dgn

USER NAME = lnda
 PLOT SCALE = 20.0000' / IN.
 PLOT DATE = 6/24/2010

DESIGNED - JWS
 DRAWN - LEC
 CHECKED - BRM
 DATE - 11-05-07

REVISED -
 REVISED -
 REVISED -
 REVISED -

**STATE OF ILLINOIS
 DEPARTMENT OF TRANSPORTATION**

MAINTENANCE OF TRAFFIC, FAYETTE AVE. (STAGE 1)

SCALE: 1"=10' SHEET NO. 43 OF 52 SHEETS STA. 69+77.95 TO STA. 70+00.00

| | | | | |
|---------------------|-----------------------|---------------------------|---------------------|------------------|
| F.A. RTE. 57/70 | SECTION (25-3) I-6 | COUNTY EFFINGHAM | TOTAL SHEETS 839 | SHEET NO. 608 |
| FED. ROAD DIST. NO. | | ILLINOIS FED. AID PROJECT | | |
| CONTRACT NO. 74293 | | | | |