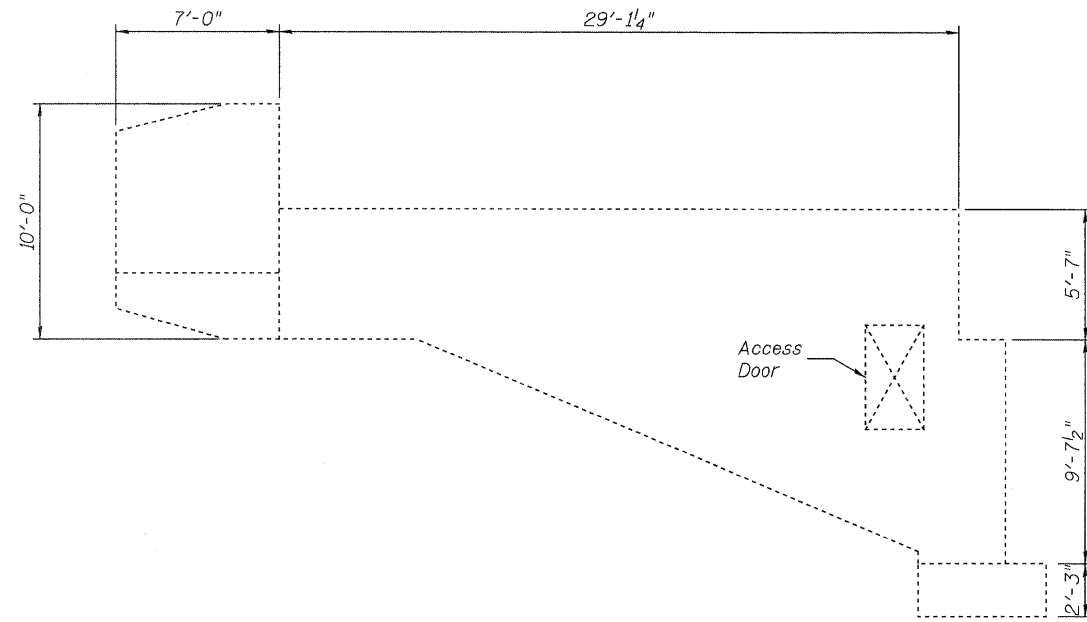
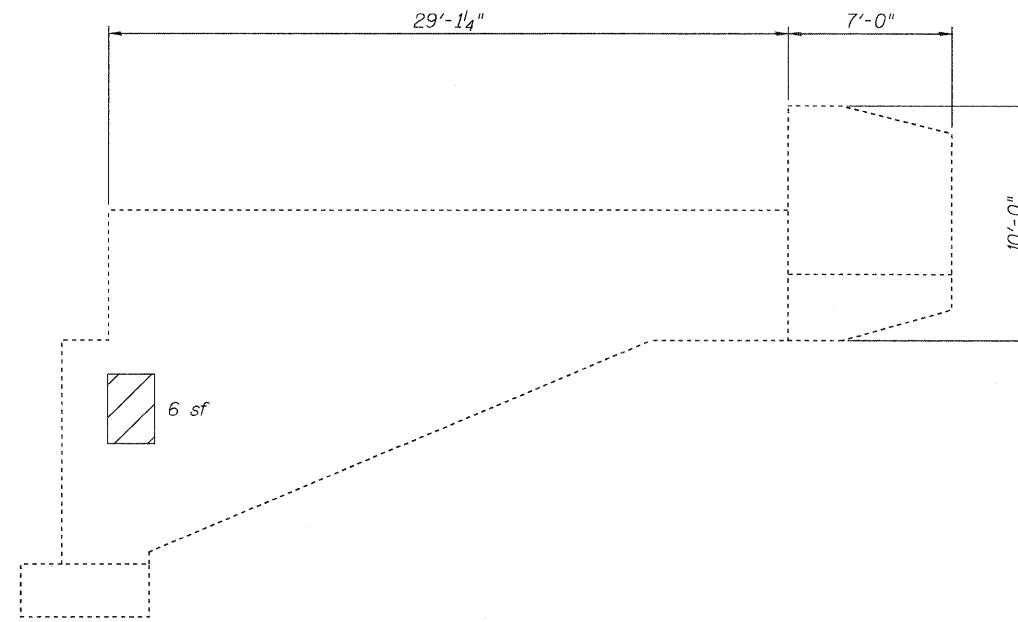


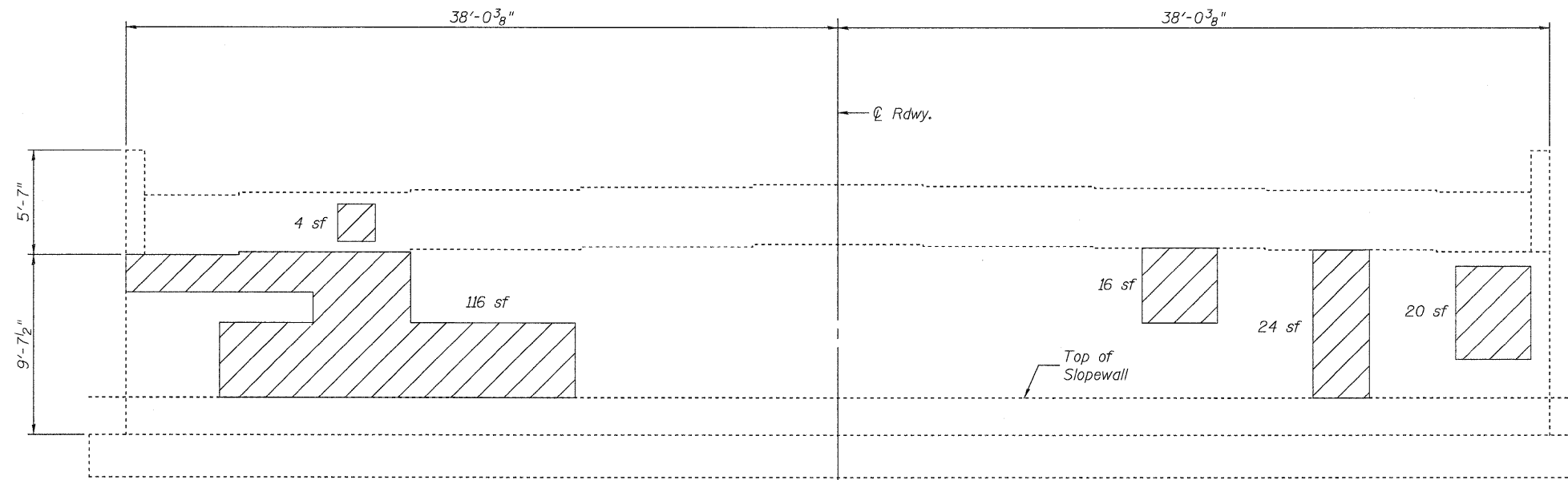
STATE OF ILLINOIS  
DEPARTMENT OF TRANSPORTATION



ELEVATION - NORTH WING

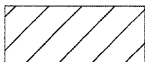



ELEVATION - SOUTH WING



ELEVATION - EAST ABUTMENT

LEGEND

-  Spalled, Hollow or Unsound Concrete
-  Spalled Concrete with Exposed Reinf.

Notes:  
Abutment Condition Survey performed 4/15/2010.

Plan quantities assume that all marked areas will be repaired.

Repair areas are estimated, the Engineer shall determine actual repair locations and record them on the As-Built plans.

Concrete for repair areas on the upper part of the abutment wall that overlap with the proposed beam seat extension shall be placed monolithically with the seat extension, to avoid an undesired construction joint.

BILL OF MATERIAL

Item	Unit	Total
Structural Repair of Concrete (Depth = < 5")	Sq. Ft.	186

EAST ABUTMENT  
STRUCTURE NO. 060-0198

SHEET 9 OF 11	F.A.I. RTE.	SECTION	COUNTY	TOTAL SHEETS	SHEET NO.
	55	60-3RS-1, 60-(3HB,3HB-1)I	MADISON	123	101
STA. 363+22.00		CONTRACT NO. 76601			
FED. ROAD DIST. NO.		ILLINOIS FED. AID PROJECT			

**JD** Johnson, Depp & Quisenberry  
CONSULTING ENGINEERS  
Springfield, Illinois

DESIGNED: CMV	DRAWN: P. Ray
CHECKED: DCD	CHECKED: CMV/DCD