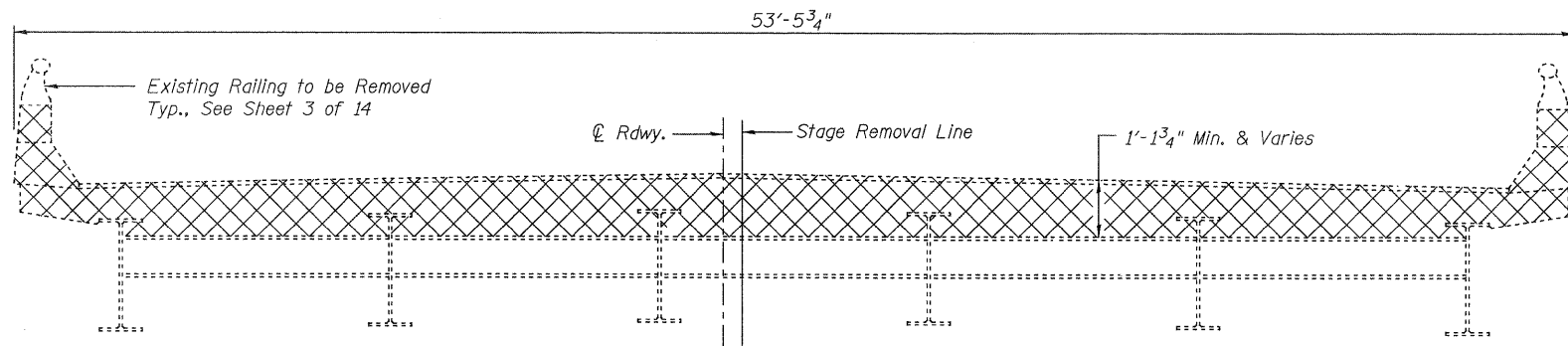
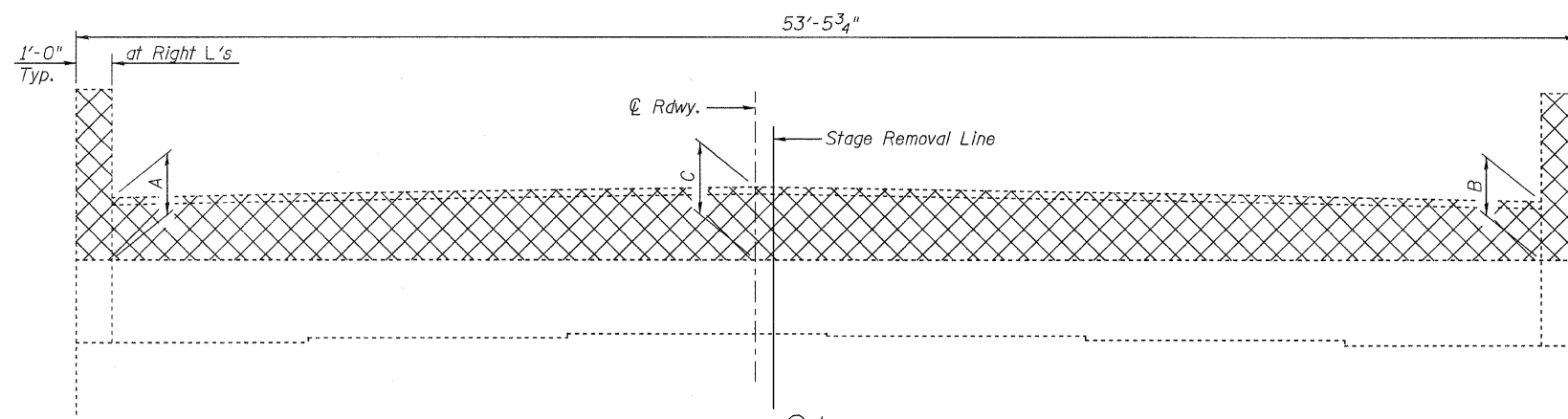


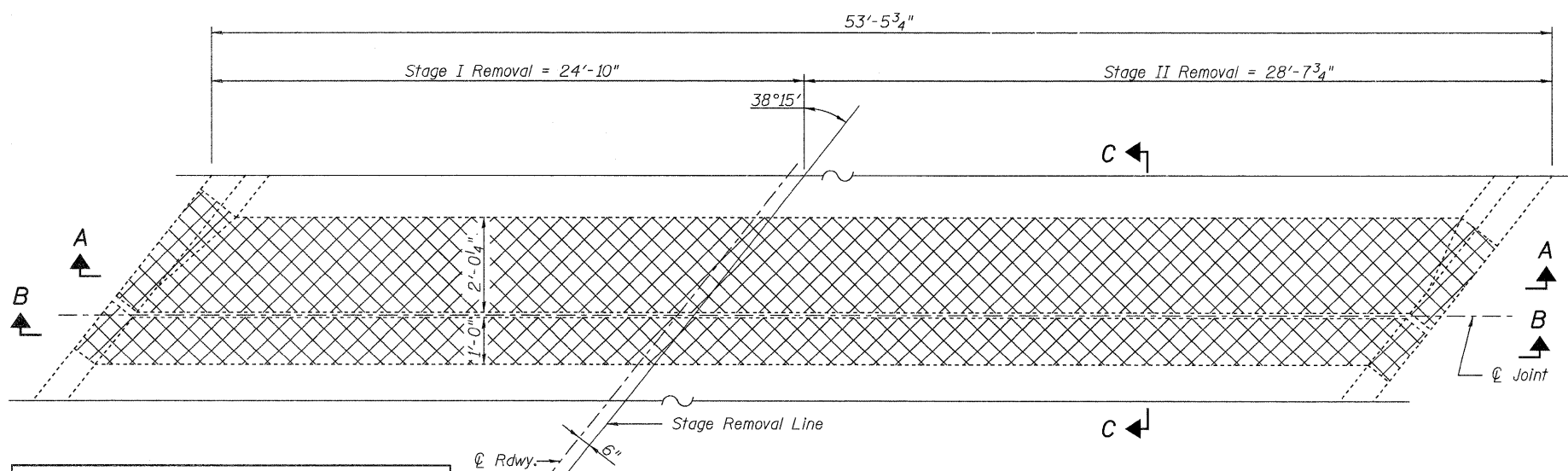
STATE OF ILLINOIS
DEPARTMENT OF TRANSPORTATION



SECTION A-A

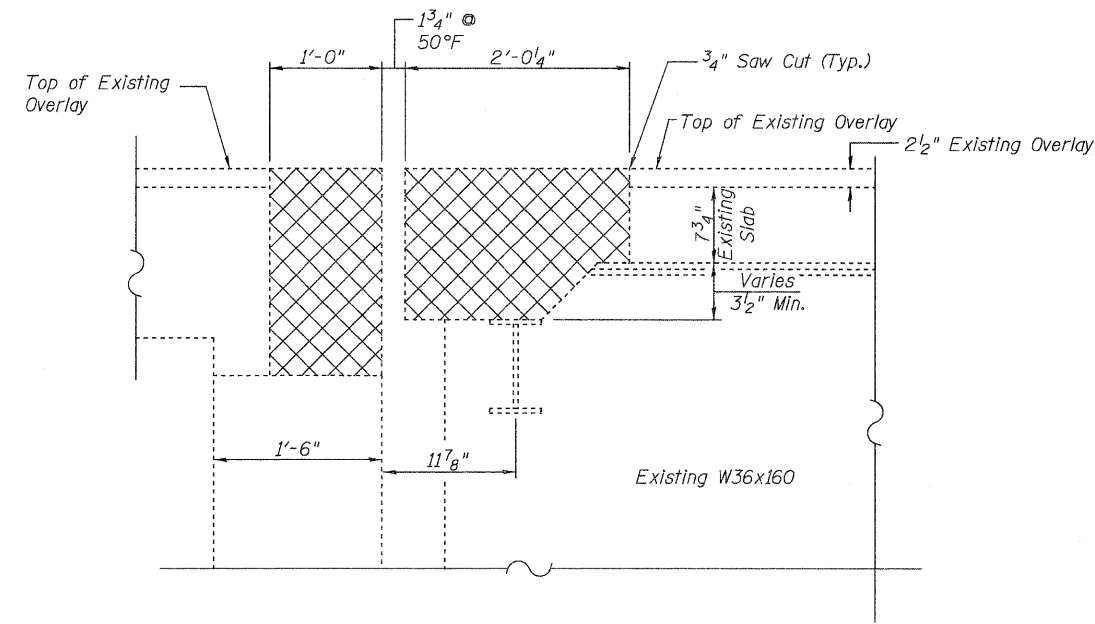


SECTION B-B



PLAN

(SB Bridge: N. Abut. shown, S. Abut. similar)
(NB Bridge: S. Abut. shown, N. Abut. similar)



SECTION C-C

(Dimensions at Rt. L's)

Location	A	B	C
S.B. N. Abut.	1'-5 1/4"	1'-4 5/8"	1'-9 1/4"
S.B. S. Abut.	1'-4 1/2"	1'-6 1/2"	1'-9 7/8"
N.B. N. Abut.	1'-4 1/4"	1'-6 3/4"	1'-9 7/8"
N.B. S. Abut.	1'-3 1/4"	1'-4 1/2"	1'-9 1/8"

Notes:

1. Cross hatched area indicates concrete removal.
2. Existing reinforcement bars in the concrete removal area extending in new construction shall be cleaned and incorporated into the new construction. Cost included with Concrete Removal.
3. Any reinforcement bars that are damaged during concrete removal operations shall be repaired or replaced using an approved bar splicer or anchorage system, in accordance with IDOT Standard Specifications Article 501.03. Cost included with Concrete Removal.
4. Overlay removal is included with pay item Concrete Removal.

BILL OF MATERIAL

(Four Abutments)

Item	Unif	Total
Concrete Removal	Cu. Yd.	36.2

EXPANSION JOINT CONCRETE REMOVAL
STRUCTURE NO. 060-0196(SB) & 0197(NB)

SHEET 5 OF 14	F.A.I. RTE.	SECTION	COUNTY	TOTAL SHEETS	SHEET NO.
	55	60-3RS-1, 60-(3HB,3HB-1)I	MADISON	123	108
STA. 318+48.55		CONTRACT NO. 76601			
FED. ROAD DIST. NO.		ILLINOIS FED. AID PROJECT			

FILE: J:\JDO\110195 IL-08VWg I-55 Madison Bridge Repairs\Linengr\060-0196 & 060-0197.dgn
USER: DCD
DATE: 06/22/2010 19:33:50

LIN ENGINEERING, LTD. Consulting Engineers Chatham, Illinois	
DESIGNED: ESH	DRAWN: RH
CHECKED: MTH	CHECKED: MTH