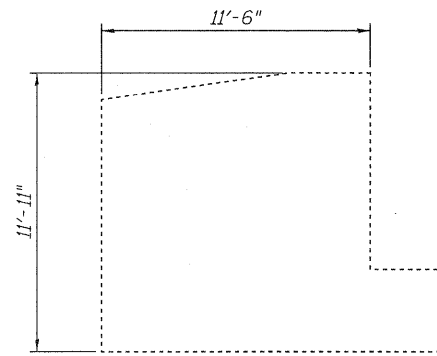
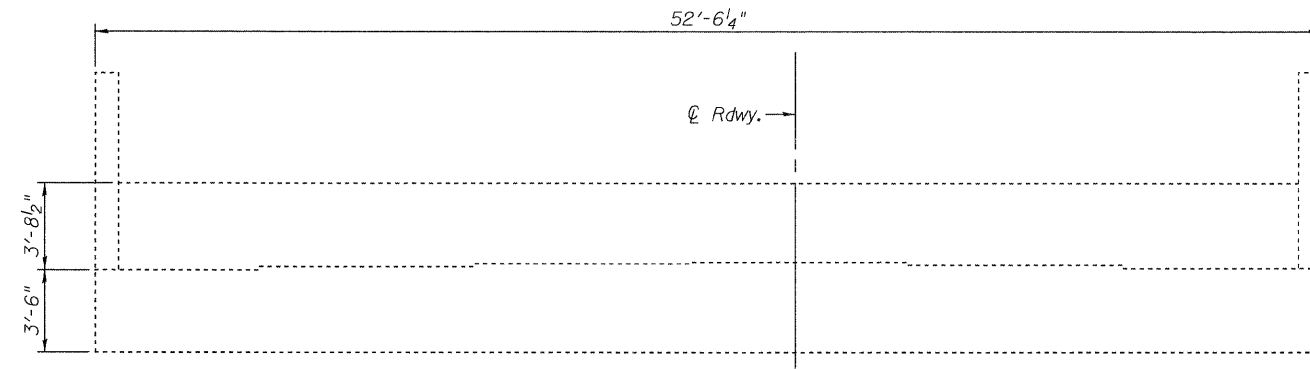


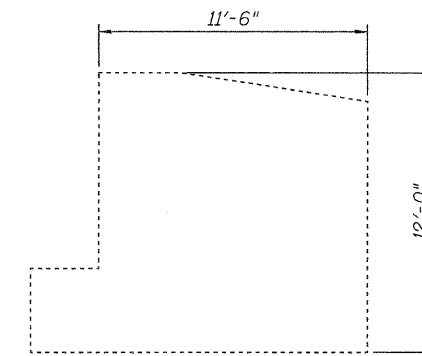
STATE OF ILLINOIS
DEPARTMENT OF TRANSPORTATION



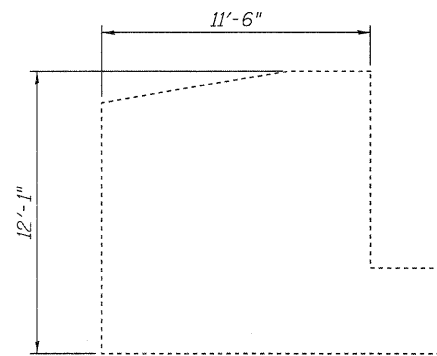
ELEVATION - WEST WING



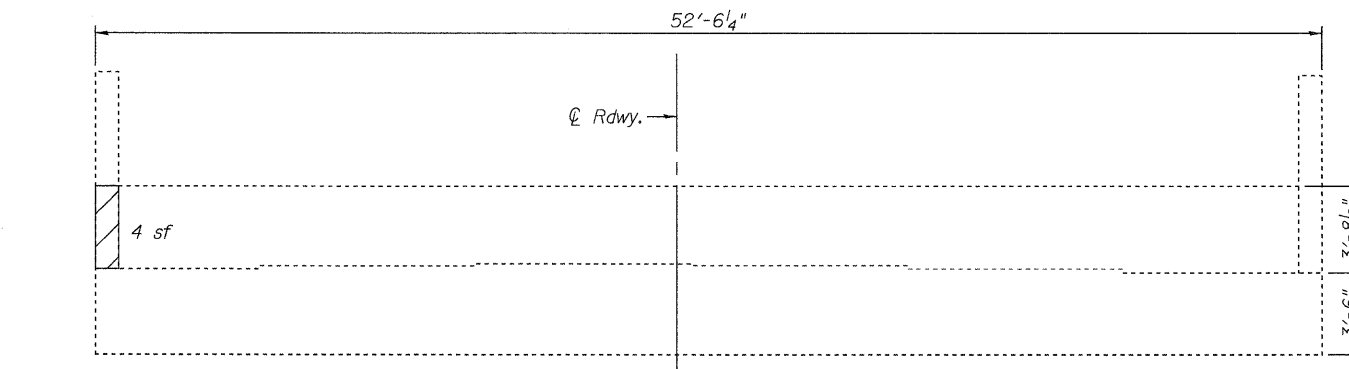
ELEVATION - NORTH ABUT. (SB)



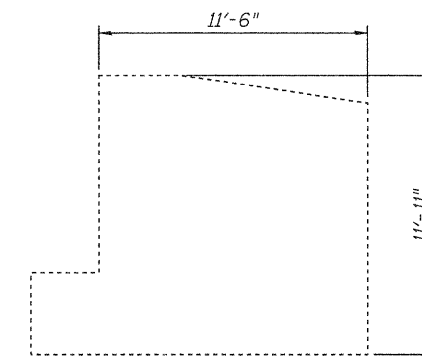
ELEVATION - EAST WING



ELEVATION - EAST WING

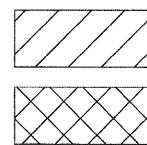


ELEVATION - SOUTH ABUT. (SB)



ELEVATION - WEST WING

LEGEND



Spalled, Hollow or Unsound Concrete

Spalled Concrete with Exposed Reinf.

Notes:
Abutment Condition Survey performed 4/15/2010.

Plan quantities assume that all marked areas will be repaired.

Repair areas are estimated, the Engineer shall determine actual repair locations and record them on the As-Built plans.

BILL OF MATERIAL

Item	Unit	Total
Structural Repair of Concrete (Depth = < 5")	Sq. Ft.	4
Concrete Sealer	Sq. Ft.	307

Apply Concrete Sealer to existing beam seat areas (full length of cap).

JD Johnson, Depp & Quisenberry
CONSULTING ENGINEERS
Springfield, Illinois

DESIGNED: CMV	DRAWN: SJS
CHECKED: DCD	CHECKED: CMV/DCD

ABUTMENTS (SB)
STRUCTURE NO. 060-0196(SB) & 0197(NB)

SHEET 10 OF 14	F.A.I. RTE.	SECTION	COUNTY	TOTAL SHEETS	SHEET NO.
	55	60-3RS-1, 60-(3HB,3HB-1)I	MADISON	123	113
	STA. 318+48.55		CONTRACT NO. 76601		
FED. ROAD DIST. NO.		ILLINOIS FED. AID PROJECT			

FILE: J:\JDQ\10195 IL-08VV*9 I-55 Madison Bridge Repairs\UPRR\0600196-76601-010-abutts-SB.dgn
USER: DCD
SAVE DATE: 6/22/2010
PRINT DATE: 06/22/2010 20:42:41