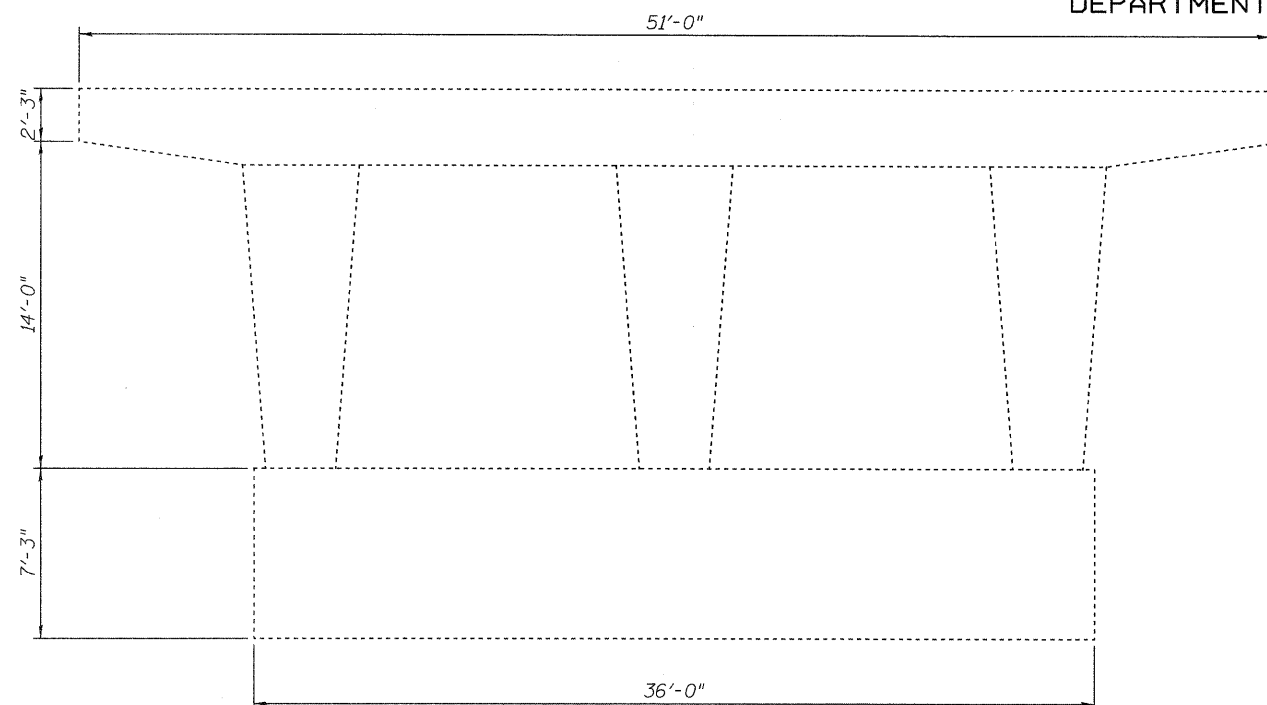
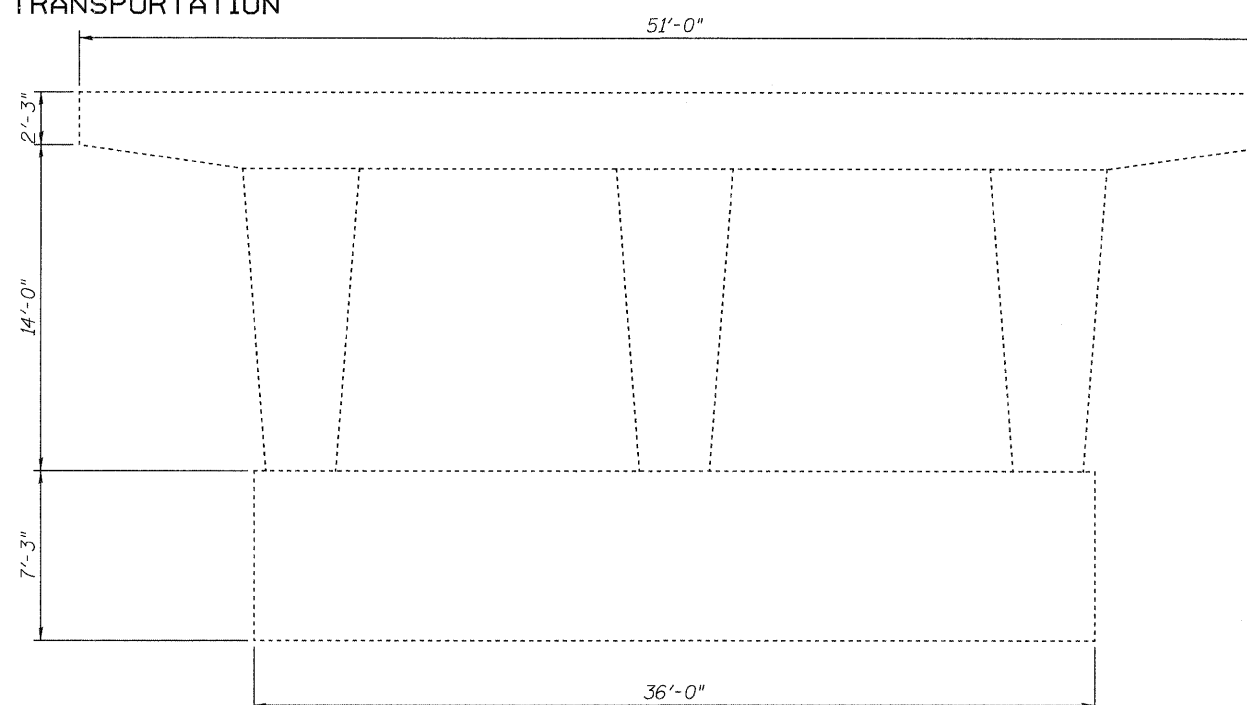


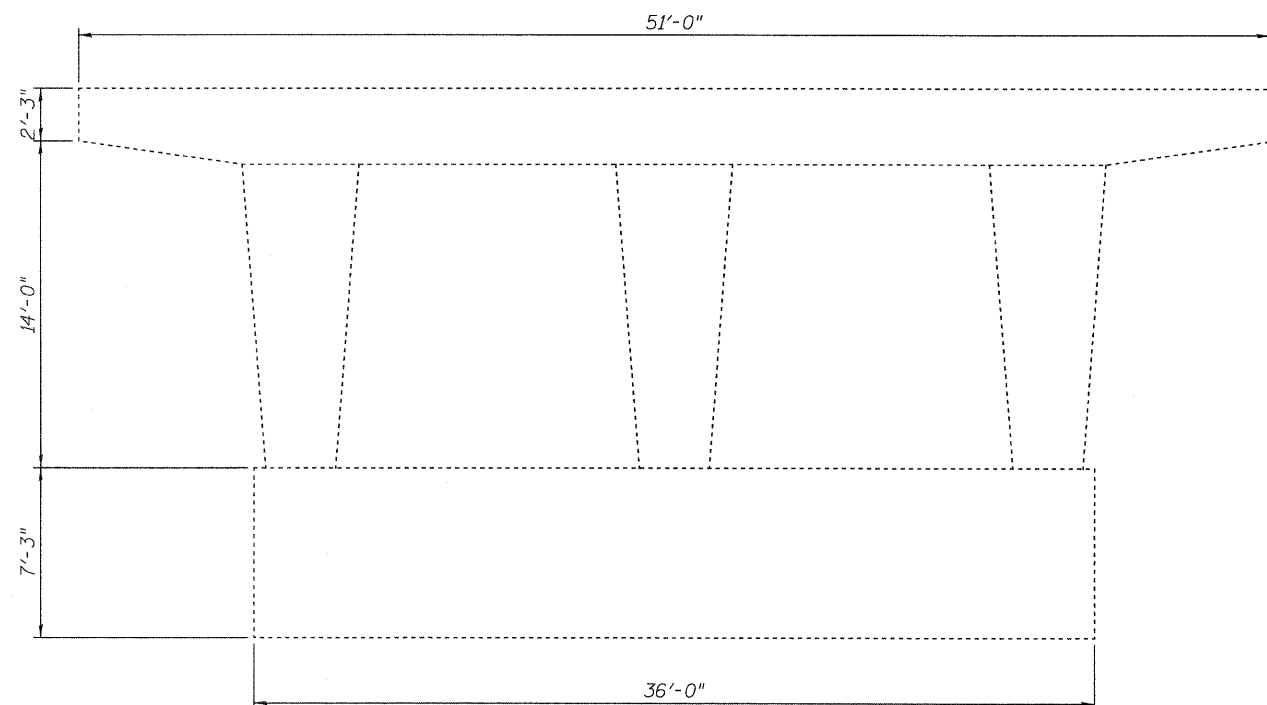
STATE OF ILLINOIS
DEPARTMENT OF TRANSPORTATION



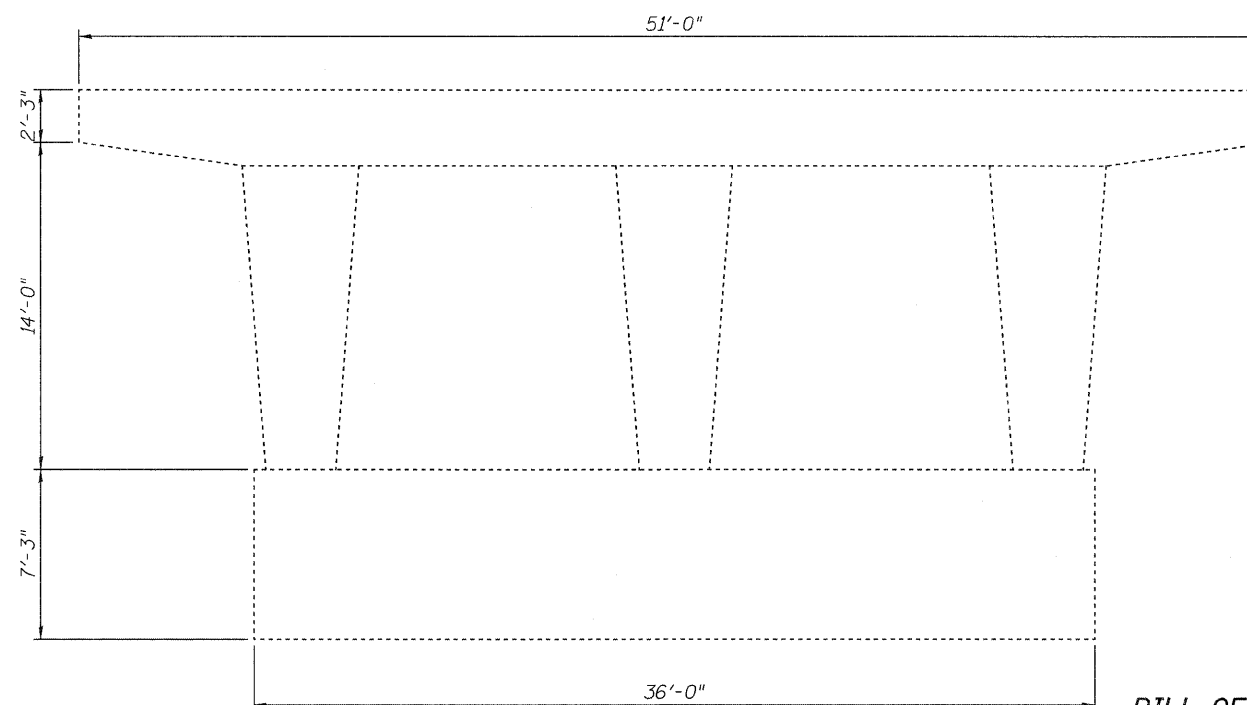
ELEVATION - PIER 1 (NB)
(Looking South)



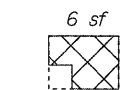
ELEVATION - PIER 1 (NB)
(Looking North)



ELEVATION - PIER 2 (NB)
(Looking South)



ELEVATION - PIER 2 (NB)
(Looking North)

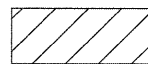


END VIEW

BILL OF MATERIAL

Item	Unit	Total
Structural Repair of Concrete (Depth = < 5")	Sq. Ft.	6

LEGEND



Spalled, Hollow or Unsound Concrete



Spalled Concrete with Exposed Reinf.

Notes:
Pier Condition Survey performed 4/15/2010.

Plan quantities assume that all marked areas will be repaired.

Repair areas are estimated, the Engineer shall determine actual repair locations and record them on the As-Built plans.

JD Johnson, Depp & Quisenberry
CONSULTING ENGINEERS
Springfield, Illinois

DESIGNED: CMV	DRAWN: SJS
CHECKED: DCD	CHECKED: CMV/DCD

PIERS (NB)
STRUCTURE NO. 060-0196(SB) & 0197(NB)

SHEET 11 OF 14	F.A.I. RTE.	SECTION	COUNTY	TOTAL SHEETS	SHEET NO.
	55	60-3RS-1, 60-(3HB,3HB-1)I	MADISON	123	114
STA. 318+48.55		CONTRACT NO. 76601			
FED. ROAD DIST. NO.		ILLINOIS FED. AID PROJECT			