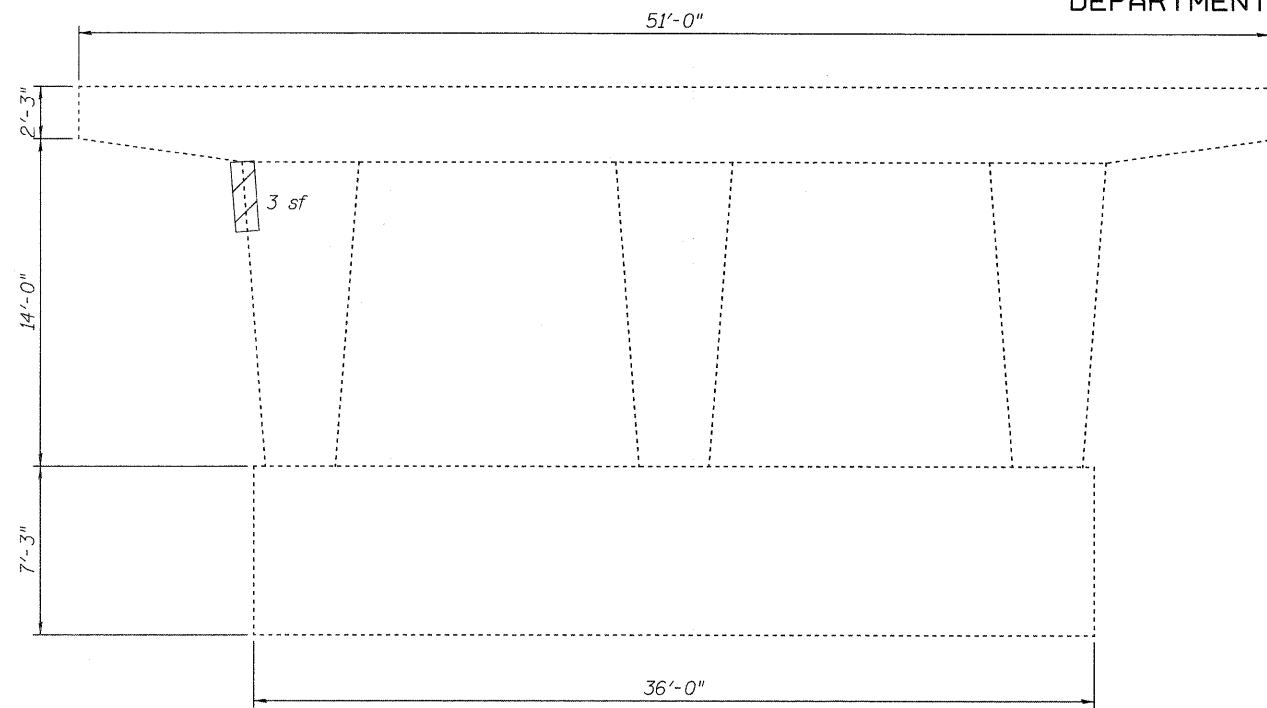
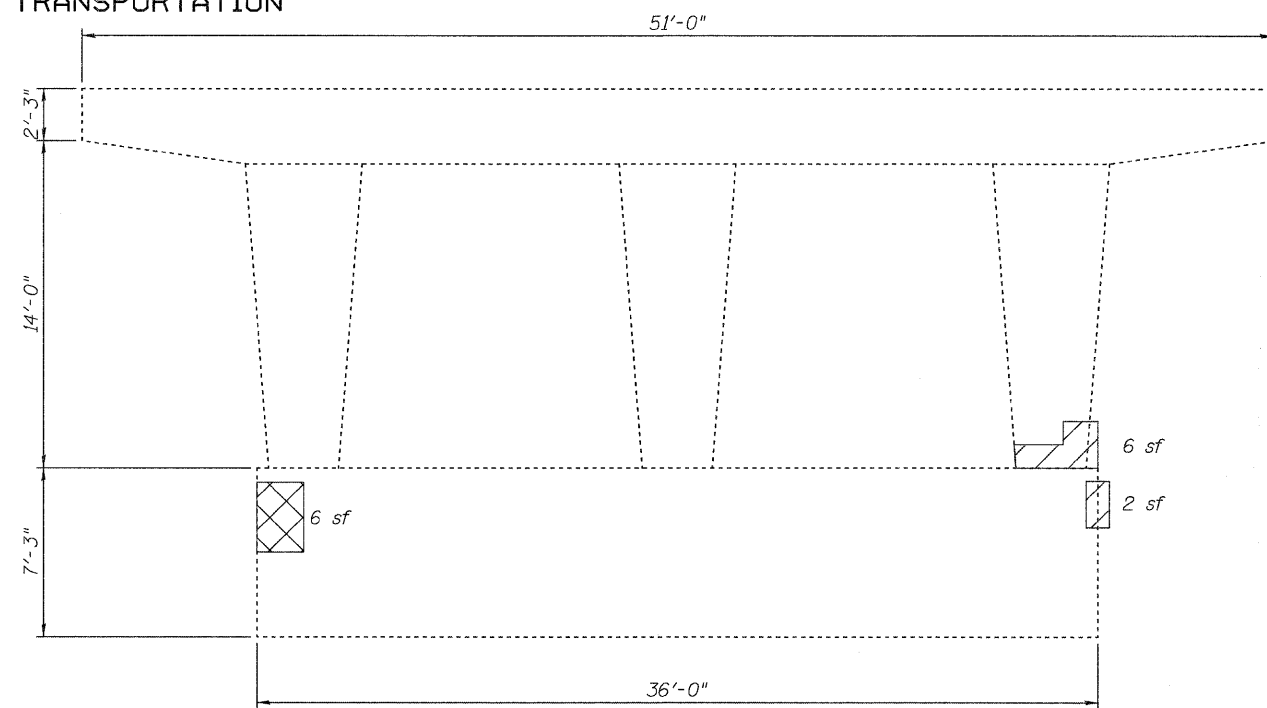


STATE OF ILLINOIS
DEPARTMENT OF TRANSPORTATION

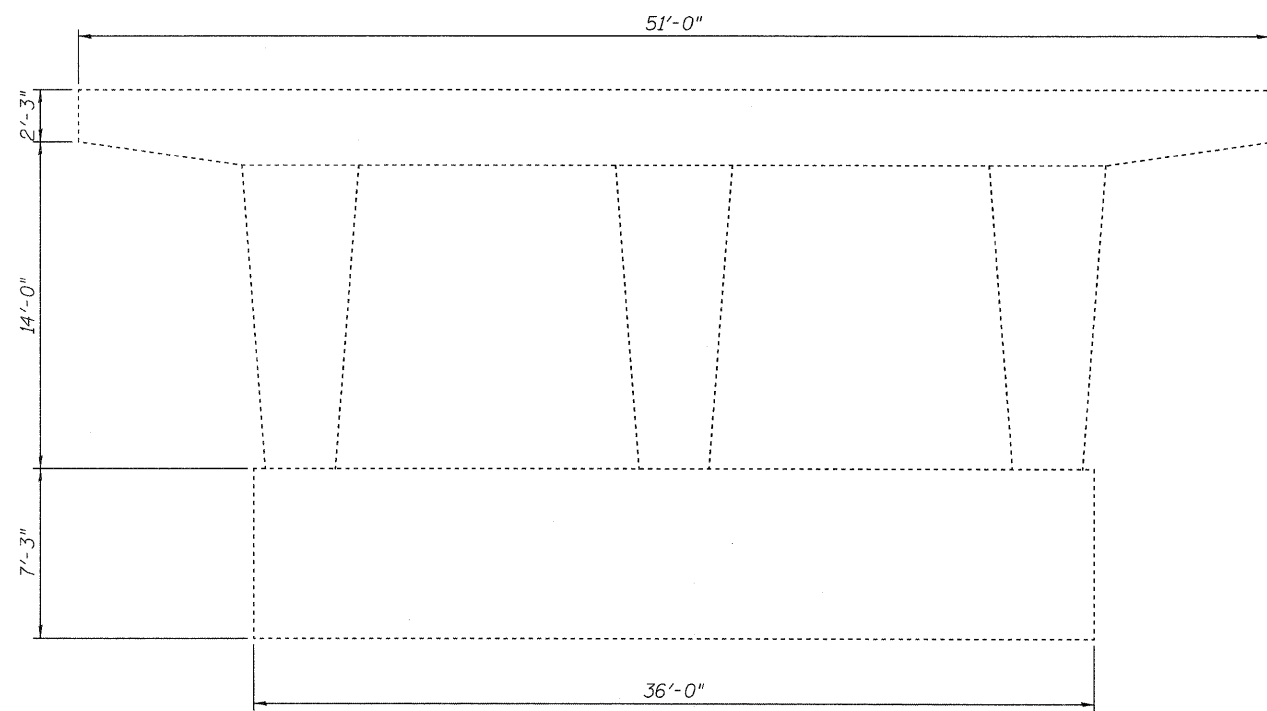
END VIEW
2 sf



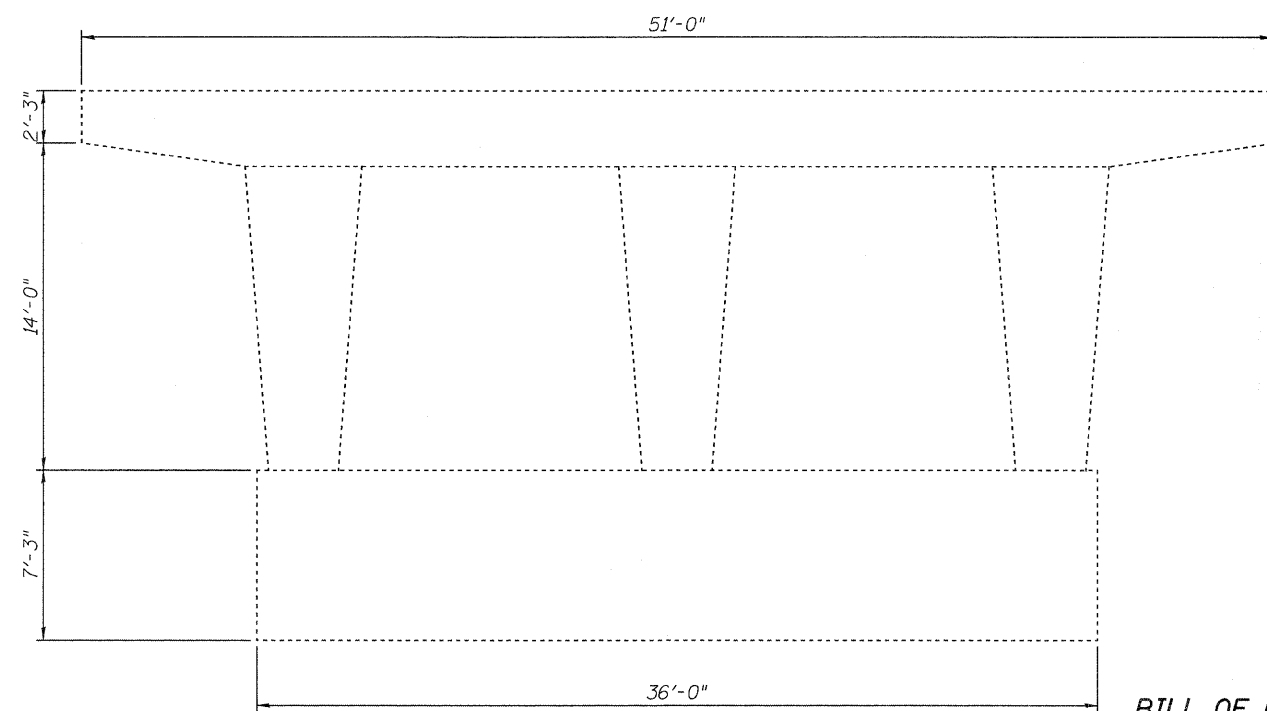
ELEVATION - PIER 1 (SB)
(Looking South)



ELEVATION - PIER 1 (SB)
(Looking North)



ELEVATION - PIER 2 (SB)
(Looking South)

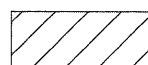



ELEVATION - PIER 2 (SB)
(Looking North)

BILL OF MATERIAL

Item	Unit	Total
Structural Repair of Concrete (Depth = < 5")	Sq. Ft.	19

LEGEND

-  Spalled, Hollow or Unsound Concrete
-  Spalled Concrete with Exposed Reinf.

Notes:
Pier Condition Survey performed 4/15/2010.

Plan quantities assume that all marked areas will be repaired.

Repair areas are estimated, the Engineer shall determine actual repair locations and record them on the As-Built plans.

JD Johnson, Depp & Quisenberry
CONSULTING ENGINEERS
Springfield, Illinois

DESIGNED: CMV	DRAWN: SJS
CHECKED: DCD	CHECKED: CMV/DCD

PIERS (SB)
STRUCTURE NO. 060-0196(SB) & 0197(NB)

SHEET 12 OF 14	F.A.I. RTE.	SECTION	COUNTY	TOTAL SHEETS	SHEET NO.
	55	60-3RS-1, 60-(3HB,3HB-1)I	MADISON	123	115
	STA. 318+48.55		CONTRACT NO.	76601	
FED. ROAD DIST. NO.		ILLINOIS FED. AID PROJECT			

PRINT DATE: 06/22/2010 20:12:44 SAVE DATE: 6/22/2010 USER: DCD FILE: \\J:\DQ\10195 IL-D8VV#9 I-55 Madison Bridge Repairs\1-UPRR\0600196-76601-02-piers-SB.dgn