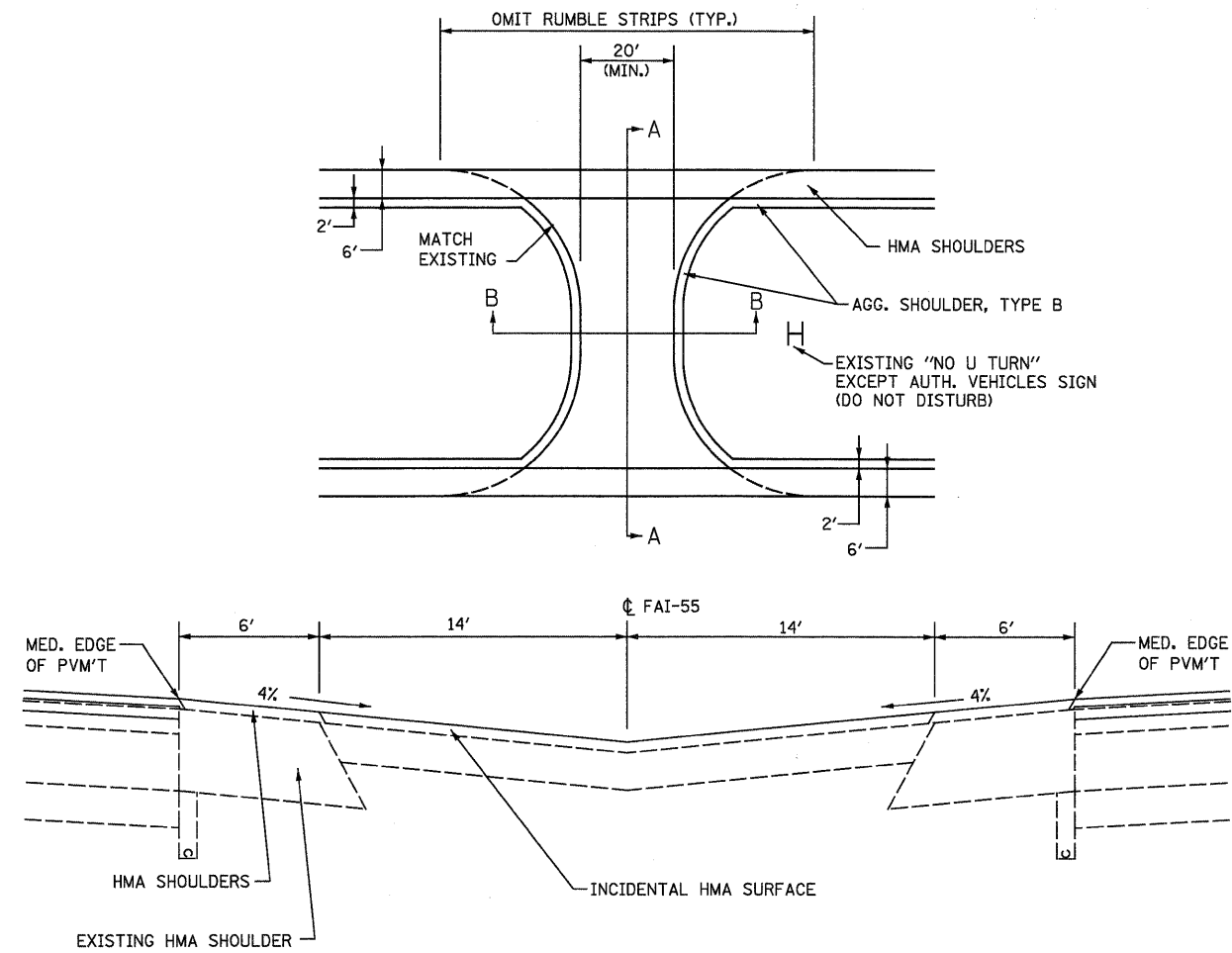
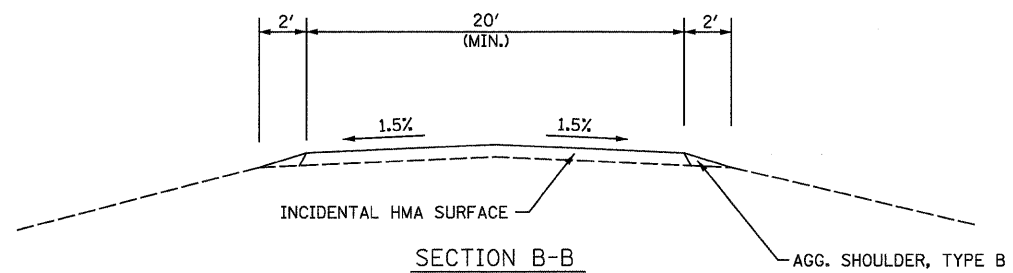


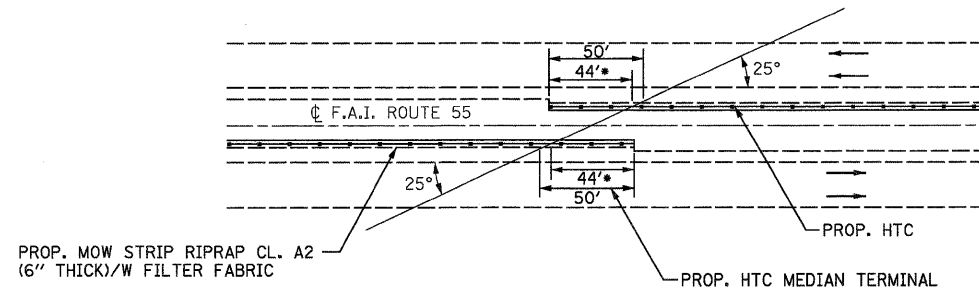
MEDIAN CROSS-OVER DETAIL



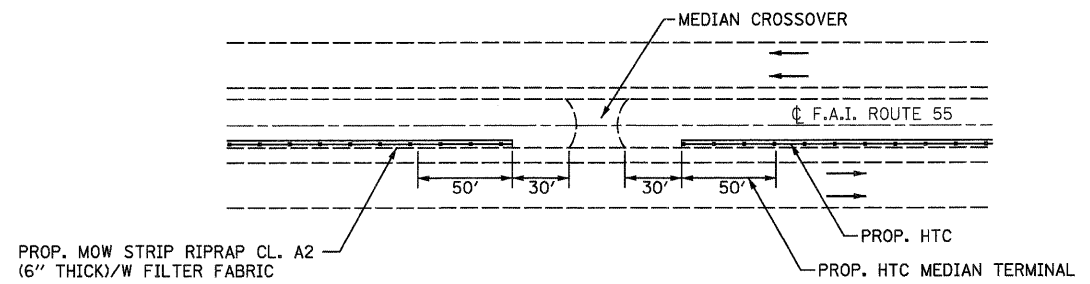
SECTION A-A



LOCATIONS:
 STA. 696+37
 STA. 784+60
 STA. 1075+00
 STA. 1234+72

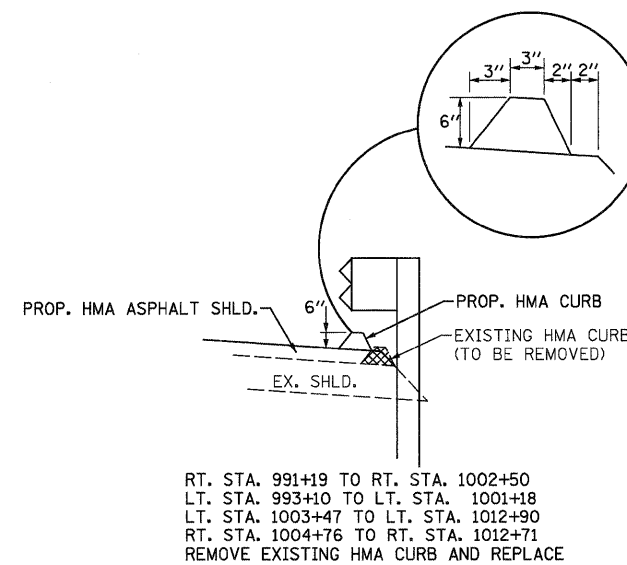


• FOR PURPOSES OF HTC LAYOUT SHOWN IN PLANS, 44' FOR LENGTH OF NEED POINT WAS USED. ACTUAL LON POINT WILL VARY DEPENDING ON HTC SYSTEM USED.
 PAY LENGTH FOR HTC MEDIAN BARRIER TERMINAL IS 50' REGARDLESS OF LON POINT.



HTC DETAIL

(SEE TYPICAL SECTION FOR CABLE BARRIER LAYOUT)



RT. STA. 991+19 TO RT. STA. 1002+50
 LT. STA. 993+10 TO LT. STA. 1001+18
 LT. STA. 1003+47 TO LT. STA. 1012+90
 RT. STA. 1004+76 TO RT. STA. 1012+71
 REMOVE EXISTING HMA CURB AND REPLACE

HMA CURB DETAIL

| | | | |
|--|----------------------------|------------|-----------|
| FILE NAME = ...\\oaddd\0876C93-ahd-detaile.dgn | USER NAME = SJS | DESIGNED - | REVISED - |
| Johnson, Depp & Guseberry CONSULTING ENGINEERS Springfield, Illinois | PLOT SCALE = 50.000' / IN. | DRAWN - | REVISED - |
| PLOT DATE = 06/23/2010 15:36:22 | DATE - | CHECKED - | REVISED - |

STATE OF ILLINOIS
 DEPARTMENT OF TRANSPORTATION

HIGH TENSION CABLE DETAIL, MEDIAN CROSS-OVER DETAIL
 & HMA CURB DETAIL

| | | | | |
|--------------------|-------------------------|-------------------|---------------------|---------------------------|
| F.A.I. RTE. 55 | SECTION 60-(1,2)RS-2 | COUNTY MADISON | TOTAL SHEETS 156 | SHEET NO. 148 |
| CONTRACT NO. 76C93 | | | | ILLINOIS FED. AID PROJECT |

SCALE: SHEET NO. OF SHEETS STA. TO STA.