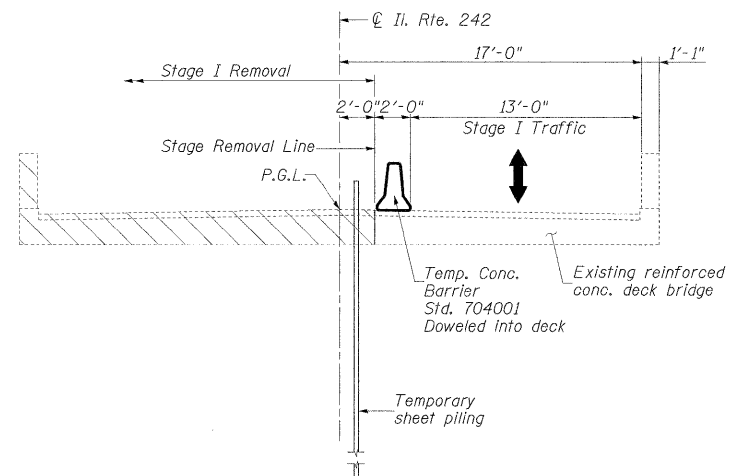
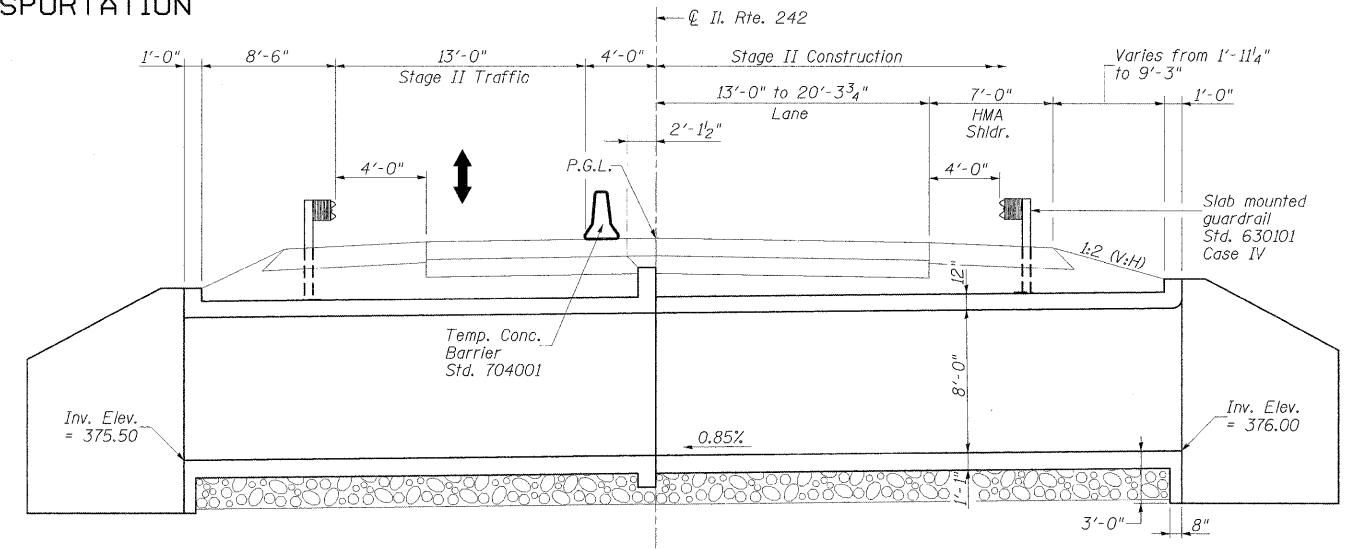


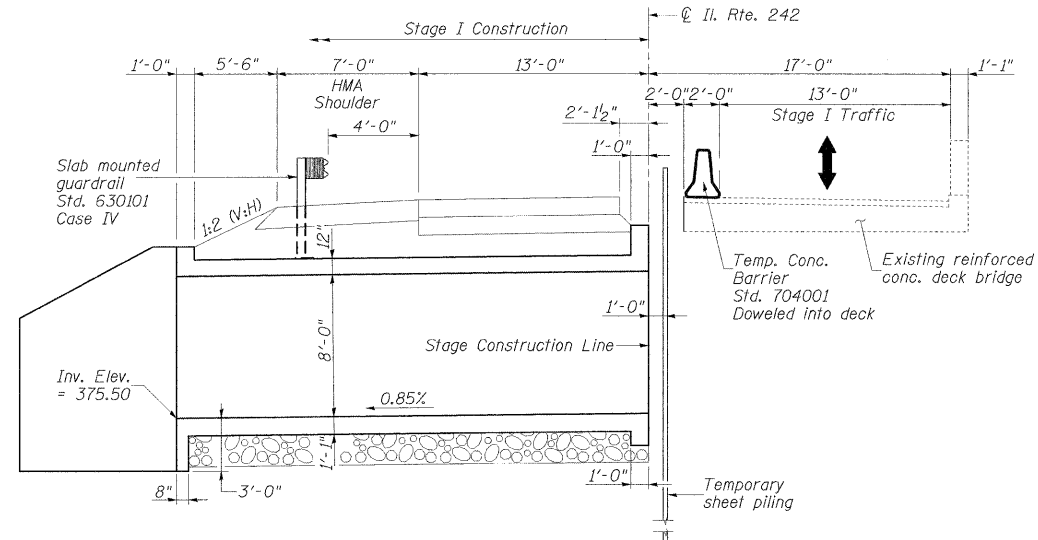
STATE OF ILLINOIS
DEPARTMENT OF TRANSPORTATION



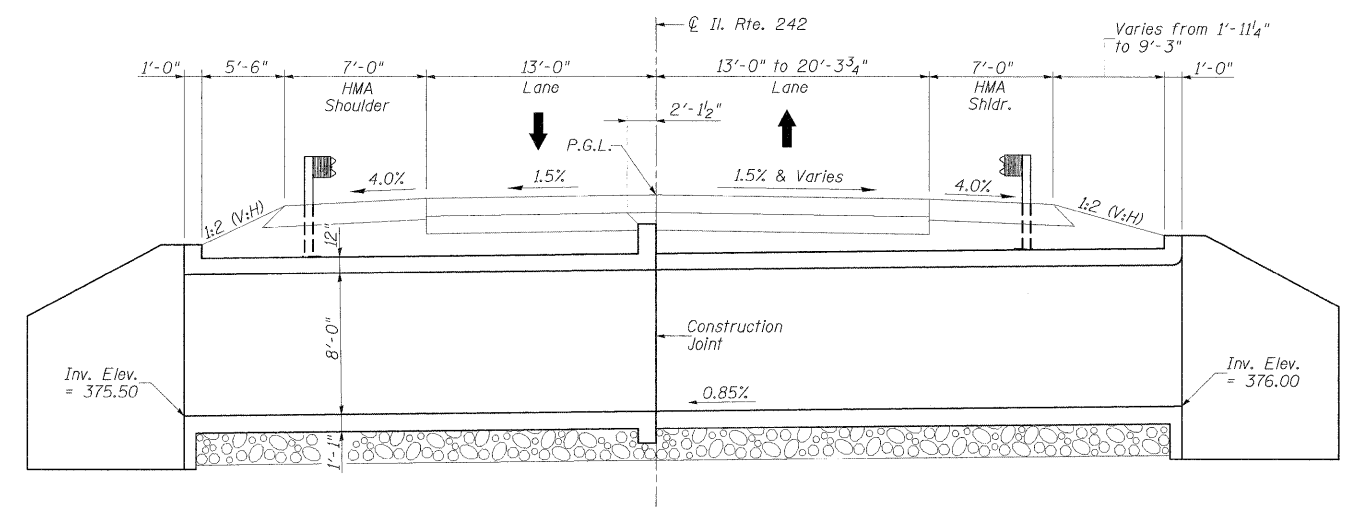
STAGE I REMOVAL
(Looking South)



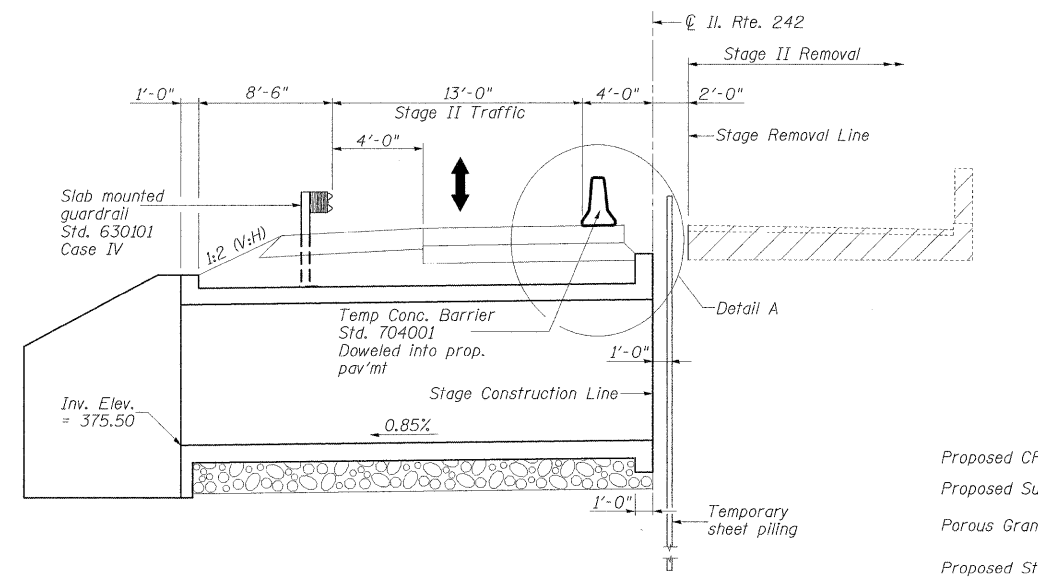
STAGE II CONSTRUCTION
(Looking South)



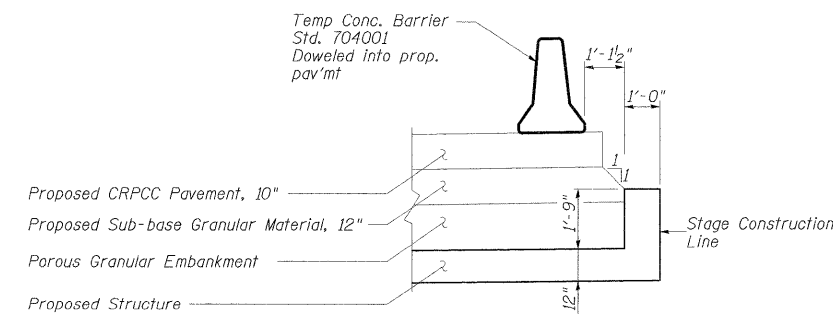
STAGE I CONSTRUCTION
(Looking South)



FINAL ROADWAY RECONFIGURATION
(Looking South)

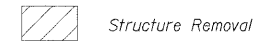


STAGE II REMOVAL
(Looking South)



DETAIL A
(Looking South)

LEGEND



NOTES:

1. For details of Temporary Concrete Barrier see Sheet 3 of 8.
2. Hatched areas indicate areas of existing concrete removal to be paid for as "Removal of Existing Structures".
3. Dimensions are at Rt. angles to ℄ Il. Rte. 242
4. For quantity of Temporary Concrete Barrier see Roadway plans.

STAGE CONSTRUCTION DETAILS
IL RTE. 242 OVER UNNAMED STREAM
STATION 659+11.74
STRUCTURE NO. 033-2010

CMT CRAWFORD MURPHY & TILLY, INC. CONSULTING ENGINEERS SPRINGFIELD, IL ■ ALTOONA, IL ■ ST. LOUIS, MO ROCKFORD, IL ■ PEORIA, IL ■ CHICAGO, IL DESIGNED BY: CJW CHECKED BY: WLB DRAWN BY: GLD DATE: 4/12/10	SHEET NO. 2 8 SHEETS	F.A.P. RTE. 776	SECTION 102B-4	COUNTY HAMILTON	TOTAL SHEETS 42	SHEET NO. 22
	CONTRACT NO. 78081					
FED. ROAD DIST. NO. 7 ILLINOIS FED. AID PROJECT						