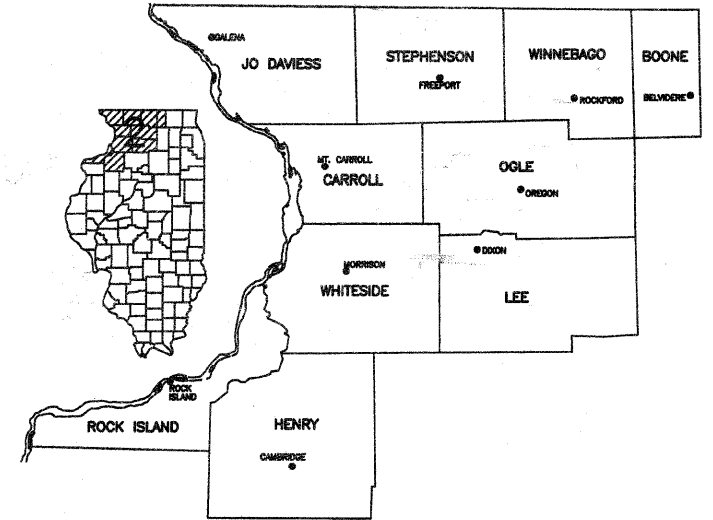


STATE OF ILLINOIS  
DEPARTMENT OF TRANSPORTATION  
DIVISION OF HIGHWAYS

# FAP 505 (STEPHENSON STREET) STREETSCAPE IMPROVEMENTS

## FOR CITY OF FREEPORT FREEPORT, ILLINOIS

ILLINOIS DEPARTMENT OF TRANSPORTATION  
REGION NO. 2, DISTRICT NO. 2



Signed Paul D. Ertmer Date 7/12/10  
Paul D. Ertmer, P.E.  
Expires November 30, 2011

INDEX OF SHEETS

SHEET No.	TITLE
SHEET 1	LOCATION MAP, INDEX OF SHEETS, STANDARDS
SHEET 2	SUMMARY OF QUANTITIES AND GENERAL NOTES
SHEET 3	STANDARD LEGEND
SHEET 4	SCHEDULE OF QUANTITIES
SHEETS 5-6	REMOVAL PLAN
SHEETS 7-8	PROPOSED SITE PLAN
SHEET 9	DETAILS

STATE STANDARDS

- 424001-05 CURB RAMPS FOR SIDEWALK
- 606001-04 CONCRETE TYPE B AND COMBINATION CONCRETE CURB AND GUTTER
- 701006-03 OFF-RD OPERATIONS, 2L, 2W, 15' (4.5 m) TO 24" (600mm) FROM PAVEMENT EDGE
- 701301-03 LANE CLOSURE, 2L, 2W, SHORT TIME OPERATIONS
- 701501-05 URBAN LANE CLOSURE, 2L, 2W, UNDMDED
- 701801-04 LANE CLOSURE, MULTILANE, 1W OR 2W CROSSWALK OR SIDEWALK CLOSURE
- 701901-01 TRAFFIC CONTROL DEVICES
- 720011-01 METAL POSTS FOR SIGNS, MARKERS & DELINEATORS
- 728001-01 TELESCOPING STEEL SIGN SUPPORT
- 729001-01 APPLICATIONS OF TYPES A & B METAL POSTS (FOR SIGN MARKERS)

SECTION: 09-00138-01-LS  
STEPHENSON COUNTY  
PROJECT No. TE-00D2(137)  
JOB NO. C-92-191-09  
CONTRACT No. 85501  
ITEP #201682

CITY OF FREEPORT

GEORGE GAULRAPP	MAYOR
MEG ZURAVEL	CITY CLERK
LINDA L. BUSS	CITY TREASURER
SHELLY GRISWOLD	COMMUNITY DEVELOPMENT
TOM DOLE	DIR. OF PUBLIC WORKS
SARAH GRIFFIN	CORPORATION COUNCIL

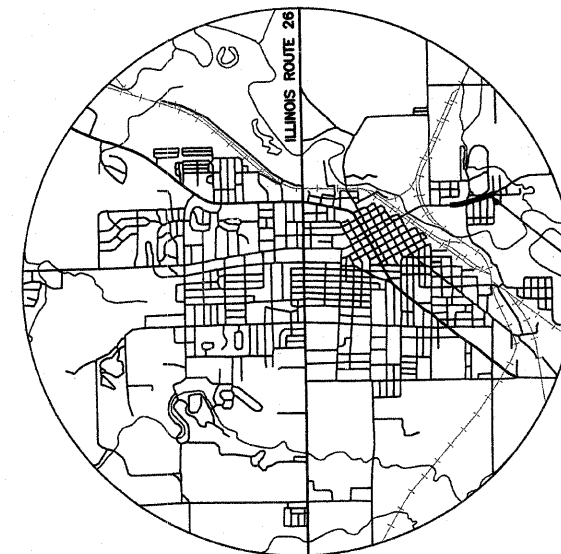
ALDERMAN

TOM KLEMM	DENNIS ENDRESS
SHAWN BOLDT	LINDA O'NEIL
RONNIE BUSH	SCOTT HELMS
JENNIE DEVINE	RANDY CORBIN

UTILITIES

UTILITY TYPE	COMMON NAME	ADDRESS
ELECTRIC	COMED CO.	2900 RT. 20 W. FREEPORT, ILLINOIS
TELEPHONE	VERIZON	112 W. ELM ST. SYCAMORE, ILLINOIS
WATER & SEWER	CITY OF FREEPORT WATER AND SEWER COMMISSION	230 W. STEPHENSON ST. FREEPORT, ILLINOIS
GAS	NICOR GAS CO.	4651 LINDEN RD. ROCKFORD, ILLINOIS
CABLEVISION	COMCAST COMMUNICATIONS	109 W. MAIN FREEPORT, ILLINOIS

(CONTRACTOR TO BE RESPONSIBLE FOR ANY ADJUSTMENTS TO BE MADE.)



LOCATION MAP

PROJECT LENGTH: 1,547' (0.293 MILES)

STEPHENSON STREET (IL RT 75)  
BEGIN STA 1+00  
END STA 16+47



## FEHR-GRAHAM & ASSOCIATES, LLC

ENGINEERING AND SCIENCE CONSULTANTS

221 E. MAIN ST. SUITE 200  
FREEPORT, IL 61032  
(815)235-7643

1920 DAMLER RD.  
ROCKFORD, IL 61112  
(815)394-4700

515 LINCOLN HIGHWAY  
ROCHELLE, IL 61068  
(815)562-9087

1107 16th AVENUE  
MONROE, WI 53566  
(608)329-6400

4440 ASH GROVE DR.  
SPRINGFIELD, IL 62711  
(217)793-8600

ILLINOIS PROFESSIONAL DESIGN FIRM NUMBER: 184003525

APPROVED JULY 13, 2010

Thomas S. Dole  
DIRECTOR OF PUBLIC WORKS

PASSED July 30, 2010

Paul M. ...  
DISTRICT ENGINEER OF LOCAL ROADS AND STREETS

RELEASING FOR BID BASED ON LIMITED REVIEW July 30, 2010

Angel F. ...  
DEPUTY DIRECTOR OF HIGHWAYS/REGION 2 ENGINEER

REV. NO.	DESCRIPTION	DATE
1	REVISIONS PER BID REVIEW	7/12/10

**SUMMARY OF QUANTITIES**  
CONSTRUCTION TYPE CODE: Y003

CODE NO.	ITEM	UNIT	TOTAL
K0012990	PERENNIAL PLANTS, ORNAMENTAL	UNIT	2.79
X0300635	PLANTER	EA.	31
K0012970	PERENNIAL PLANTS DAFFODIL BULB TYPE	UNIT	9.30
Z0001110	GAS VALVE TO BE ADJUSTED	EA.	7
K1005481	SHRED BARK MULCH 3	SQ. YD.	31
B2005716	TREE, PYRUS CALLERYANA "CHANTICLEER" CHANTICLEER CALLERY PEAR, 2" CALIPER, TREE FORM, BALLED & BURLAPPED	EACH	31
21101625	TOPSOIL FURNISH & PLACE-6"	SQ. YD.	175
25000100	SEEDING, CLASS 1	ACRE	0.04
25100105	MULCH, METHOD 1	ACRE	0.04
35101400	AGGREGATE BASE COURSE, TY. B	TON	862
31100100	SUB-BASE GRANULAR, TYPE A	TON	634
40800050	INC. HMA SURFACING	TON	350
42300300	PCC DRIVEWAY PAVEMENT, 7"	SQ. YD.	333
X4240430	PCC SIDEWALK, 5" SPECIAL	SQ. FT.	18918
42400800	DETECTABLE WARNINGS	SQ. FT.	150
44000100	PAVEMENT REMOVAL	SQ. YD.	1134
44000200	DRIVEWAY PAVEMENT REMOVAL	SQ. YD.	211
44000500	COMBINATION CURB & GUTTER REMOVAL	FOOT	2576
44000600	SIDEWALK REMOVAL	SQ. FT.	10710
56500600	DOMESTIC WATER SERVICE BOXES TO BE ADJUSTED	EA.	9
60200105	CATCH BASIN, TYPE A, 4' DIAMETER WITH TYPE 1 FRAME, OPEN LID	EA.	1
67100100	MOBILIZATION	L.S.	1
70101700	TRAFFIC CONTROL AND PROTECTION	L.S.	1

PLANT LIST				
<b>TREES</b>				
KEY	QTY.	BOTANICAL NAME COMMON NAME	SIZE	REMARKS
NPK	930	PLANTS DAFFODIL BULBS	DN 111	APPROX. 2' O.C. PLANT IN GROUPS OF 5
PCP	31	TREE, PYRUS CALLERYANA "CHANTICLEER" CHANTICLEER CALLERY PEAR, 2" CALIPER, TREE FORM, BALLED & BURLAPPED	2" CAL	
<b>PERENNIALS/GROUNDCOVER</b>				
HHR	279	HEMEROCALLIS HAPPY RETURNS CONTAINER GROWN, 1 GALLON	1 GAL.	HAPPY RETURNS - YELLOW

**GENERAL NOTES**

THE CONTRACTOR SHALL BE RESPONSIBLE FOR ALL DAMAGE TO EXISTING INSTALLATIONS CAUSED BY THE EXECUTION OF THE WORK.

ALL EARTH EXCAVATION NECESSARY FOR PLACEMENT OF PROPOSED SIDEWALK SHALL BE CONSIDERED INCIDENTAL TO THE CONTRACT UNIT PRICE FOR SIDEWALK REMOVAL. NO ALLOWANCES FOR ADDITIONAL EARTH EXCAVATION SHALL BE ALLOWED.

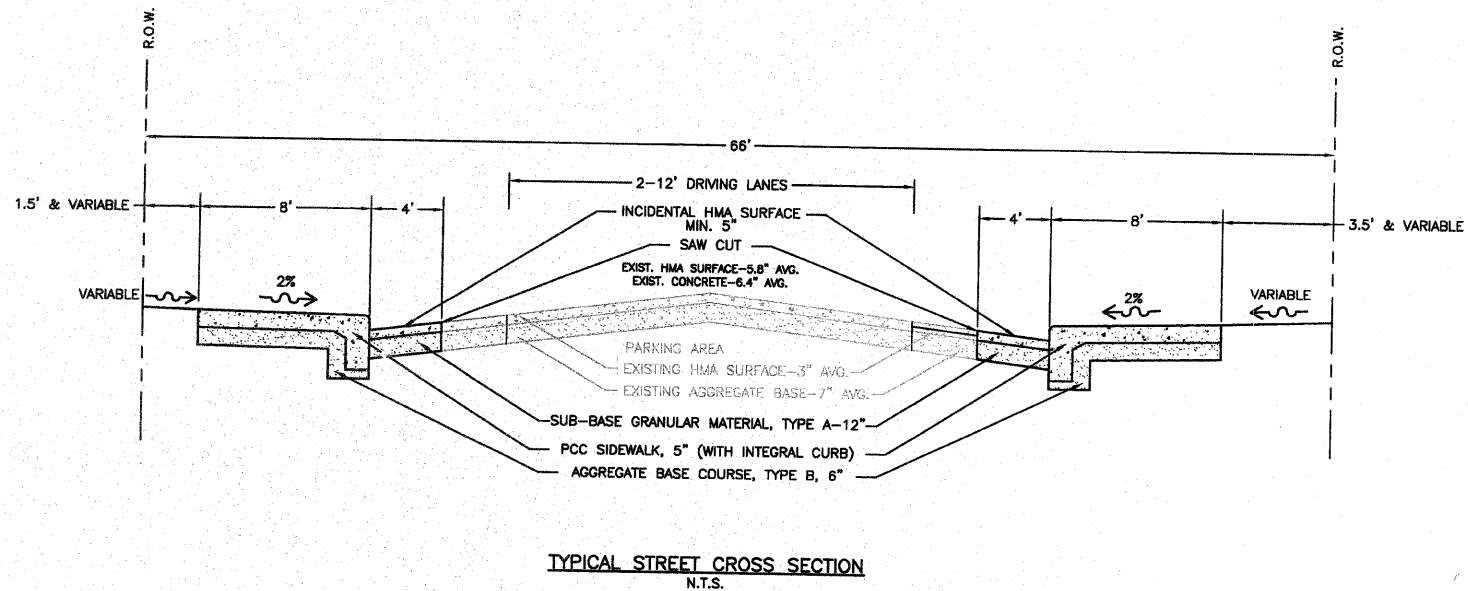
ALL EXCAVATION FOR STRUCTURES SHALL BE KEPT DEWATERED DURING CONSTRUCTION OPERATIONS UNTIL BACKFILL IS IN PLACE.

ALL EXCESS EARTH EXCAVATION TO BE DISPOSED OF BY CONTRACTORS.

ALL PROPERTY SHALL BE RESTORED TO THE CONDITION EXISTING BEFORE CONSTRUCTION BEGAN.

**DETAIL NOTES**

- CONTRACTOR SHALL VISIT SITE, INSPECT EXISTING CONDITIONS AND REVIEW PROPOSED PLANTING AND RELATED WORK. IN CASE OF DISCREPANCY BETWEEN PLAN AND PLANT LIST, PLAN SHALL GOVERN QUANTITIES.
- CONTRACTOR SHALL VERIFY LOCATIONS OF ALL ON-SITE UTILITIES PRIOR TO BEGINNING CONSTRUCTION. ELECTRIC, GAS, TELEPHONE, AND CABLE TELEVISION MAY BE LOCATED BY CALLING J.U.L.I.E. AT (1-800-892-0123). ANY DAMAGE OR INTERRUPTION OF SERVICES SHALL BE THE RESPONSIBILITY OF THE CONTRACTOR. CONTRACTOR TO COORDINATE ALL RELATED ACTIVITIES WITH OTHER TRADES ON THE JOB AND SHALL REPORT ANY UNACCEPTABLE JOB CONDITIONS TO OWNER'S REPRESENTATIVE PRIOR TO COMMENCING WORK. ALL COST ASSOCIATED WITH UTILITY RELOCATION SHALL BE CONSIDERED INCIDENTAL TO THE PROJECT. CONTRACTOR SHALL COORDINATE ALL RELOCATIONS WITH THE APPROPRIATE UTILITY COMPANY.
- CONTRACTOR RESPONSIBLE FOR APPLICATION AND COST OF ALL NECESSARY BUILDING PERMITS AND CODE VERIFICATIONS. SUBMIT COPIES OF ALL DOCUMENTS TO OWNER AND ENGINEER.
- ACCEPTANCE OF GRADING AND SEEDING SHALL BE BY ENGINEER AND OWNER. THE CONTRACTOR SHALL ASSUME MAINTENANCE RESPONSIBILITIES FOR A MINIMUM OF SIXTY (60) DAYS OR UNTIL SECOND CUTTING, WHICHEVER IS LONGER. MAINTENANCE SHALL INCLUDE WATERING, WEEDING, RESEEDING, AND OTHER OPERATIONS NECESSARY TO KEEP LAWN IN A THRIVING CONDITION. UPON FINAL ACCEPTANCE BY ENGINEER AND/OR OWNER, OWNER SHALL ASSUME ALL MAINTENANCE RESPONSIBILITIES. AFTER LAWN AREAS HAVE GERMINATED, AREAS WHICH FAIL TO SHOW A UNIFORM STAND OF GRASS FOR ANY REASON WHATSOEVER SHALL BE RESEDED REPEATEDLY UNTIL ALL AREAS ARE COVERED WITH A SATISFACTORY STAND OF GRASS. MINIMUM ACCEPTANCE OF SEEDED LAWN AREAS MAY INCLUDE SCATTERED BARE SPOTS, NONE OF WHICH ARE LARGER THAN ONE SQUARE FOOT AND WHEN COMBINED DO NOT EXCEED 2% OF TOTAL SEEDED AREA.



**FEHR-GRAHAM & ASSOCIATES, LLC**  
ENGINEERING AND SCIENCE CONSULTANTS  
FREEPORT, IL ROCKFORD, IL ROCHELLE, IL SPRINGFIELD, IL MONROE, WI  
ILLINOIS DESIGN FIRM NO. 184-003525  
© 2010 FEHR-GRAHAM & ASSOCIATES

OWNER/DEVELOPER:  
CITY OF FREEPORT  
230 W. STEPHENSON ST.  
FREEPORT, IL 61032

PROJECT AND LOCATION:  
STEPHENSON STREET  
STREETSCAPE IMPROVEMENTS  
SECTION 09-00138-00-LS

DRAWN BY: G.B.  
APPROVED BY: P.E.  
DATE: 06/10/10  
SCALE: AS NOTED

REVISIONS		
REV. NO.	DESCRIPTION	DATE
1	REVISIONS PER IDOT REVIEW	07/12/10
2	REVISIONS PER CITY REVIEW	07/27/10
3	REVISIONS PER IDOT REVIEW	07/28/10

DRAWING:  
SUMMARY OF QUANTITIES  
AND GENERAL NOTES

JOB NUMBER:  
09-302

SHEET NUMBER:  
2 of 9

ABBREVIATIONS

<	ANGLE
ABC	AGGREGATE BASE COURSE
AC	ACRE(S)
ACI	AMERICAN CONCRETE INSTITUTE
AGR	AGGREGATE
AISC	AMERICAN INSTITUTE OF STEEL CONSTRUCTION
ALT	ALTERNATE
ARCH	ARCHITECT
ASPH	ASPHALT
ASTM	AMERICAN SOCIETY OF TESTING AND MATERIALS
B	BALL VALVE
BFP	BACKFLOW PREVENTER
BIT	BITUMINOUS
BLDG	BUILDING
BLK	BLOCKING
BM	BENCHMARK
BOT	BOTTOM
BSMT	BASEMENT
BV	BUTTERFLY VALVE
B-B	BACK-TO-BACK OF CURB DIMENSION
CL or C	CENTERLINE
C to C	CENTER TO CENTER
C & G	CURB AND GUTTER
CF	CUBIC FEET
CHD	CHORD LENGTH
CI	CAST IRON PIPE
CHK	CHECK VALVE
CLR	CLEAR
CMP	CORRUGATED METAL PIPE
CMU	CONCRETE MASONRY UNIT
CTY	COUNTY
CONC	CONCRETE
CONT	CONTINUOUS
C-B	CENTERLINE TO BACK OF CURB DIMENSION
COORD	COORDINATE
CU	COPPER PIPING
CTRS	CENTERS
CY	CUBIC YARDS
D	DEGREE OF CURVE
DEP	DEPRESSED
DET	DETAIL
DIAG	DIAGONAL
DIM	DIMENSION
DI	DUCTILE IRON PIPE
DN	DOWN
DNSTR	DOWNSTREAM
DWG	DRAWING
E	EAST
EJ	EXPANSION JOINT
EL, ELEV	ELEVATION
EP	EDGE OF PAVEMENT
EQUIP	EQUIPMENT
EQUIV	EQUIVALENT
EW	EACH WAY
EXP	EXPANSION
EX, EXIST	EXISTING
EXT	EXTERIOR
E =	EXTERNAL DISTANCE
FD	FLOOR DRAIN
FDN	FOUNDATION
FE	FIELD ENTRANCE
FFL	FINISH FLOOR LEVEL
FIL	FILLET
FIN	FINISH
FL	FLOW LINE
FLR	FLOOR
FM	FORCE MAIN
FND	FOUND
FRMG	FRAMING
FTG	FOOTING
F-F	FACE TO FACE
GA	GAUGE
GI	GALVANIZED IRON PIPE
GRD	GRADE
GRS	GRATING SUPPORT
GRT	GROUT
GV	GATE VALVE
GYP	GYPSPUM
HSE	HOUSE
HC	HORIZONTAL CURVE
HNGR	HANGER
HORIZ	HORIZONTAL
HP	HIGH POINT
HW	HOT WATER
HWH	HOT WATER HEATER
Δ =	CENTRAL ANGLE
I	MOMENT OF INERTIA
ID	INSIDE DIAMETER
INT	INTERIOR
INV	INVERT ELEVATION; BASED ON BENCH MARK DATUM
IP	IRON PIPE
JST	JOIST
L	LENGTH OF CURVE
LAT	LATERAL
LAV	LAVATORY
LF	LINEAL FEET
LP	LOW POINT
LT	LEFT OF SURVEY BASE LINE

MAX	MAXIMUM
MH	MANHOLE
MIN	MINIMUM
MJ	MECHANICAL JOINT
MTL	METAL
N	NORTH
No. OR #	NUMBER
NOM	NOMINAL
NTS	NOT TO SCALE
OC	ON CENTER
OD	OUTSIDE DIAMETER
OO	OUTSIDE TO OUTSIDE
OPNG	OPENING
OPP	OPPOSITE
PC	POINT OF CURVATURE
PCF	POUNDS PER CUBIC FOOT
PDP	PERFORATED DRAIN PIPE
PE	POLYETHYLENE PIPE
PI	POINT OF INTERSECTION
PL	PLATE
PLG	PLUG VALVE
PLP	POLYPROPYLENE PIPE
PLYWD	PLYWOOD
PM	PRINCIPAL MERIDIAN
PNL	PANEL
PR	PRESSURE REGULATORS
PRC	POINT OF REVERSE CURVATURE
PRESS	PRESSURE
PR, PROP	PROPOSED
PRV	PRESSURE REDUCING VALVE
PSF	POUNDS PER SQUARE FOOT
PSI	POUNDS PER SQUARE INCH
PSL	PIPE SLEEVE
PT	POINT OF TANGENCY
PLG	PLUG VALVE
PVC	POLYVINYL CHLORIDE (PLASTIC) PIPE
R	RADIUS
RCCP	REINFORCED CONCRETE CYLINDER PIPE
RCP	REINFORCED CONCRETE PIPE
RD	ROOF DRAIN
REINF	REINFORCING
REQD	REQUIRED
RFR	RAFTER
RND	ROUND
RR	RAILROAD
RRSP	RAILROAD SPIKE
RT	RIGHT
R&R	REMOVE AND REPLACE
S	SOUTH
SB	STREAM BED
SCHED	SCHEDULE
SEC	SECTION
SF	SQUARE FEET
SHR	SHOWER
SHT	SHEET
SHTG	SHEATHING
SPT	SPACING OR SPACES
SPEC	SPECIFICATION
SQ	SQUARE
SS	SANITARY SERVICE
STA	STATION
STD	STANDARD
STL	STEEL
STRUCT	STRUCTURAL
SW	SIDEWALK
SY	SQUARE YARDS
SYM	SYMMETRICAL
TAN	TANGENT LENGTH
TBC	TOP BACK OF CURB
TBM	TEMPORARY BENCH MARK; BASED ON BENCHMARK DATUM
TD	TILE DRAIN
THK	THICK
TR	TREAD
TY	TYPE
TYP	TYPICAL
UPSTR	UPSTREAM
UR	URINAL
USGS	US GEOLOGICAL SURVEY
VC	VERTICAL CURVE
VCP	VITRIFIED CLAY PIPE
VERT	VERTICAL
VOL	VOLUME
VPC	VERTICAL POINT OF CURVATURE
VPI	VERTICAL POINT OF INTERSECTION
VPRC	VERTICAL POINT OF REVERSE CURVATURE
VPT	VERTICAL POINT OF TANGENCY
W	WEST
WC	WATER CLOSET
WF	WIDE FLANGE
WM	WATER MAIN
WMQ	WATER MAIN QUALITY
WGT	WEIGHT
WP	WEATHER PROOF
WS	WATER SERVICE
WWF	WELDED WIRE FABRIC
W/O	WITHOUT
XP	EXPLOSION PROOF

(TRAFFIC SIGNAL RELATED)

EXISTING	PROPOSED	
		CONTROLLER
		MAST ARM ASSEMBLY AND POLE
		SIGNAL HEAD AND POST
		SIGNAL HEAD
		PEDESTRIAN HEAD
		PEDESTRIAN PUSH-BUTTON
		HAND HOLE
		DOUBLE HAND HOLE
		HAND HOLE OR JUNCTION BOX
		HEAVY-DUTY HAND HOLE
		EXISTING CONDUIT (LENGTH AND SIZE) PROP GALVANIZED STEEL OR PVC CONDUIT UPPER MATERIAL INDICATES LENGTH "T" INDICATES CONDUIT IN TRENCH "P" INDICATES CONDUIT PUSHED LOWER NUMERAL INDICATES SIZE AND TYPE
		LUMINAIRE
		ARROW - THROUGH, TURN LEFT
		ARROW - THROUGH
		ARROW - TURN LEFT
		ARROW - TURN RIGHT
		ONE DIRECTION TURN ONLY
		HANDICAPPED PARKING STALL
		TRAFFIC DETECTOR LOOP
		TRAFFIC CONTROL BOX

HATCH PATTERNS

	EARTH - FILL		BRICK
	EARTH - UNDISTURBED		STEEL
	ROCK (GEOLOGICAL)		INSULATION (LOOSE/ BATT)
	STONE OR RIP RAP		INSULATION (RIGID)
	GRAVEL		WOOD (ROUGH)
	CONCRETE		WOOD (BLOCKING)
	CONCRETE BLOCK		WOOD (FINISH)
	CMU		

SYMBOLS

EXISTING	PROPOSED	
		LIGHT (MAST MOUNTED)
		LIGHT POLE (SINGLE FIXTURE)
		YARD LIGHT
		POWER POLE
		POWER POLE WITH GUY WIRE AND ANCHOR
		SIGN (MULTIPLE POST, SINGLE POST)
		GUARD RAIL
		RAILROAD TRACKS
		BUILDING
		MAILBOX
		TELEPHONE RISER PEDESTAL
		SPOT ELEVATION (AT +)
		CONTOUR LINE
		SOIL BORING LOCATION AND NUMBER
		COORDINATE POINT ON GRID SYSTEM
		FOUND OR SET PROPERTY PIN
		RIGHT-OF-WAY MARKER
		BENCHMARK
		RIGHT-OF-WAY LINE
		PROPERTY LINE
		EASEMENT LINE
		SECTION LINE
		SECTION CORNER
		ALARM WATER LEVEL
		HIGH WATER LEVEL
		MEAN WATER LEVEL
		LOW WATER LEVEL
		WATER LEVEL
		GATE VALVE
		CHECK VALVE
		METER
		STRAINER
		WYE FITTING
		CONSTRUCTION LIMIT LINE
		PRIMARY EVACUATION ROUTE
		SECONDARY EVACUATION ROUTE
		OUTLINE OF DETAILED AREA
		SECTION NUMBER SHEET WHERE SHOWN
		KEY NOTE
		REVISION NUMBER

(ELECTRICAL RELATED)

	FULL VOLTAGE NONREVERSING STARTER		FIXTURE TYPE B, CIR. #4, SWITCH a
	UNIT HEATER No. 1		SWITCH a
	MOTOR ACTUATOR		3 WAY SWITCH b
	THERMOSTAT		600 A. FUSED SWITCH, 400A FUSE
	PHOTOCCELL		FUSED SWITCH & MAGNETIC STARTER T = CONTROL POWER TRANSFORMER
	FAN TYPE F2, ITEM A		FUSED SWITCH & MAGNETIC STARTER & O/L T = CONTROL POWER TRANSFORMER A = AUXILIARY CONTACT
	RELAY #1		MOTOR; MOTOR EQUIPMENT SCHEDULE, ITEM #6
	PILOT LIGHT, RED		TELEPHONE JUNCTION BOX
	MOTOR STARTER		
	TERMINAL TO REMOTE DEVICE		
	PRESSURE ELECTRIC SWITCH #1		

	CURRENT TRANSFORMER, UTILITY METER BASE		UNDERGROUND ELECTRIC
	SELECTOR SWITCH, H-O-A, RED PILOT LIGHT		DUPLEX RECEPTACLE WIRE TO PANEL # 3, BREAKER # 5
	PUSH TO START, PUSH TO STOP, RED RUN PILOT LIGHT		AUTOMATIC TRANSFER SWITCH
	ELAPSED TIME METER XXXX.X HOURS		SPECIAL RECEPTACLE
	TRANSFORMER T1		CIRCUIT BREAKER
	LIGHTING PANEL #1		EXISTING CONSTRUCTION
	60 A DISCONNECT		NEW CONSTRUCTION
	EQUIPMENT GROUND TO EARTH PER N.E.C.		
	TO PANEL 4 CIRCUIT #2		

**FEHR-GRAHAM & ASSOCIATES, LLC**  
ENGINEERING AND SCIENCE CONSULTANTS  
FREEPORT, IL ROCKFORD, IL ROCHELLE, IL SPRINGFIELD, IL MONROE, WI  
ILLINOIS DESIGN FIRM NO. 184-003525  
© 2010 FEHR-GRAHAM & ASSOCIATES

OWNER/DEVELOPER:  
CITY OF FREEPORT  
230 W. STEPHENSON ST.  
FREEPORT, IL 61032

PROJECT AND LOCATION:  
STEPHENSON STREET  
STREETSCAPE IMPROVEMENTS  
SECTION 09-00138-00-LS

DRAWN BY: G.B.  
APPROVED BY: P.E.  
DATE: 06/10/10  
SCALE:

REVISIONS		
REV. NO.	DESCRIPTION	DATE

DRAWING:  
STANDARD LEGEND  
G:\ELECT\09-00138-00-LS-001-00-01-LS.dwg, Legend

JOB NUMBER:  
09-302  
SHEET NUMBER:  
3 of 9

**SIDEWALK REMOVAL 44000600**

Table with 3 columns: STATION TO STATION, L/R, SQ. FT. Rows include 1+17 - 1+56 (L, 147) and a total of 10710.

**DRIVEWAY PAVEMENT REMOVAL 44000200**

Table with 3 columns: STATION, L/R, SQ. YD. Rows include 3+20 (L, 6) and a total of 176.

**SUB-BASE GRANULAR MATERIAL 31100100**

Table with 4 columns: STATION TO STATION, L/R, SQ. YD., TON. Rows include 2+72 - 3+97 (L, 56, 32) and a total of 634.

**INC HMA SURFACING 408000500**

Table with 4 columns: STATION TO STATION, L/R, SQ. YD., TON. Rows include 2+72 - 3+97 (L, 56, 18) and a total of 350.

**COMB. CURB & GUTTER REMOVAL 44000500**

Table with 3 columns: STATION TO STATION, L/R, FT. Rows include 2+72 - 3+97 (L, 122) and a total of 2576.

**PAVEMENT REMOVAL 44000100**

Table with 4 columns: STATION TO STATION, L/R, WIDTH (FT), SQ. YD. Rows include 2+72 - 3+97 (L, 4, 56) and a total of 1134.

**AGGREGATE BASE COURSE, TYPE B 35101400**

Table with 4 columns: STATION TO STATION, L/R, SQ. YD., TON. Rows include 1+17 - 1+56 (L, 28, 9) and a total of 861.5.

**DOMESTIC WATER SERVICE BOXES TO BE ADJUSTED 56500600**

Table with 3 columns: STATION, L/R, EA. Rows include 3+41 (R, 1) and a total of 9.

**PCC DRIVEWAY PAVEMENT, 7" 42300300**

Table with 3 columns: STATION TO STATION, L/R, SQ. YD. Rows include 1+37 - 1+87 (R, 37) and a total of 333.

**CATCH BASIN, TYPE A, 4' DIAMETER WITH TYPE 1 FRAME, OPEN LID 60200105**

Table with 3 columns: STATION, L/R, EA. Row includes 15+00 (R, 1).

**GAS VALVE TO BE ADJUSTED X0322468**

Table with 3 columns: STATION, L/R, EA. Rows include 3+26 (L, 1) and a total of 7.

**DETECTABLE WARNING 42400800**

Table with 3 columns: STATION, L/R, SQ. FT. Rows include 1+25 (L, 6) and a total of 150.

**TREES**

Table with 3 columns: STATION, L/R, TYPE. Rows include 1+89 (R (IN PLANTER), PCP) and a total of 31.



**FEHR-GRAHAM & ASSOCIATES, LLC**  
ENGINEERING AND SCIENCE CONSULTANTS  
FREEPORT, IL ROCKFORD, IL ROCHELLE, IL SPRINGFIELD, IL MONROE, WI  
ILLINOIS DESIGN FIRM NO. 184-003525

**OWNER/DEVELOPER:**  
CITY OF FREEPORT  
230 W. STEPHENSON ST.  
FREEPORT, IL 61032

**PROJECT AND LOCATION:**  
STEPHENSON STREET  
STREETScape IMPROVEMENTS  
SECTION 09-00138-00-LS

**DRAWN BY:** G.B.  
**APPROVED BY:** P.E.  
**DATE:** 06/10/10  
**SCALE:** AS NOTED

Table with 3 columns: REV. NO., DESCRIPTION, DATE. Row 1: 1, REVISIONS PER IDOT REVIEW, 7/12/10

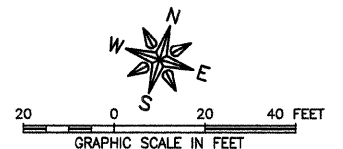
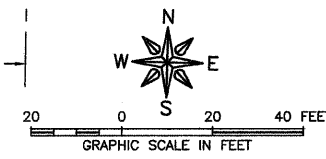
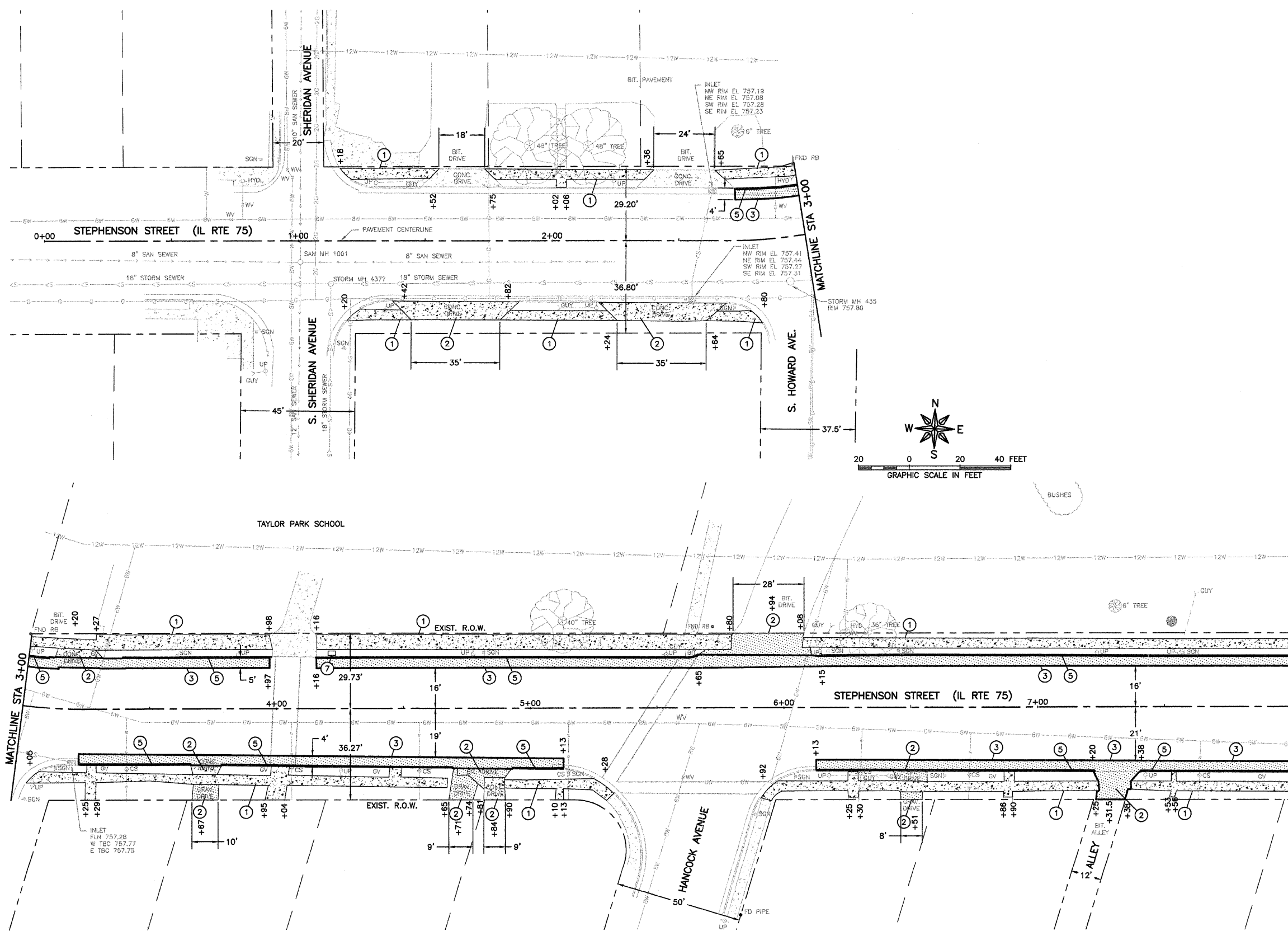
**DRAWING:**  
SCHEDULE OF QUANTITIES

**JOB NUMBER:**  
09-302

**SHEET NUMBER:**  
4 of 9

- KEY NOTES**
1. SIDEWALK REMOVAL
  2. DRIVEWAY PAVEMENT REMOVAL
  3. PAVEMENT REMOVAL
  4. N.A. (THIS SHEET)
  5. COMBINATION CURB AND GUTTER REMOVAL
  6. CONCRETE REMOVAL
  7. CONTRACTOR SHALL REMOVE EXISTING CROSS-WALK WARNING. CONTRACTOR SHALL CAP EXISTING ELECTRIC WIRES ABOVE GRADE AND LEAVE IN PLACE. CITY OF FREEPORT TO INSTALL CROSS-WALK WARNING SIGN UPON COMPLETION OF SIDEWALK INSTALLATION. THIS WORK SHALL BE CONSIDERED INCIDENTAL TO SIDEWALK REMOVAL.

- LEGEND**
- BITUMINOUS REMOVAL
  - CONCRETE REMOVAL
  - COMBINATION CONCRETE CURB AND GUTTER REMOVAL
  - TREE/SHRUB REMOVAL



**FEHR-GRAHAM & ASSOCIATES, LLC**  
ENGINEERING AND SCIENCE CONSULTANTS  
FREEPORT, IL ROCKFORD, IL ROCHELLE, IL SPRINGFIELD, IL MONROE, WI  
ILLINOIS DESIGN FIRM NO. 184-003525  
© 2010 FEHR-GRAHAM & ASSOCIATES

OWNER/DEVELOPER:  
CITY OF FREEPORT  
230 W. STEPHENSON ST.  
FREEPORT, IL 61032

PROJECT AND LOCATION:  
STEPHENSON STREET  
STREETScape IMPROVEMENTS  
SECTION 09-00138-00-LS

DRAWN BY: G.B.  
APPROVED BY: P.E.  
DATE: 06/10/10  
SCALE: AS NOTED

REVISIONS		
REV. NO.	DESCRIPTION	DATE
1	REVISIONS PER IDOT REVIEW	7/12/10

DRAWING:  
REMOVAL PLAN

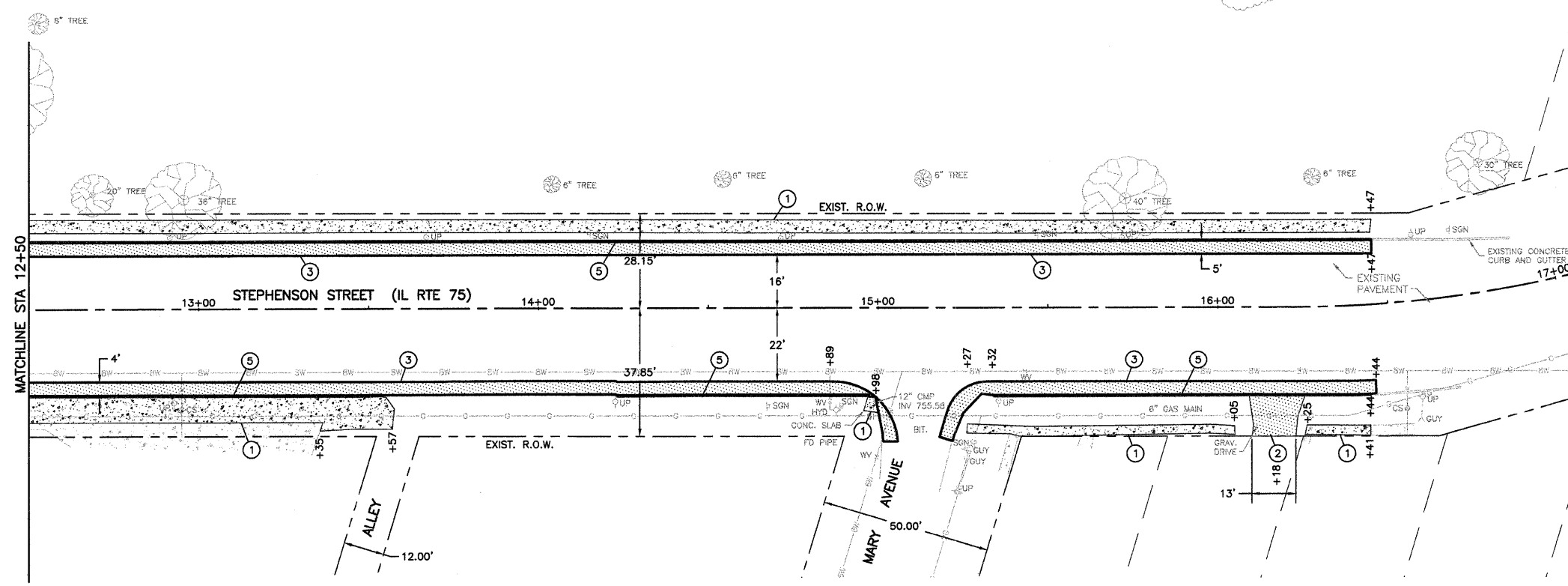
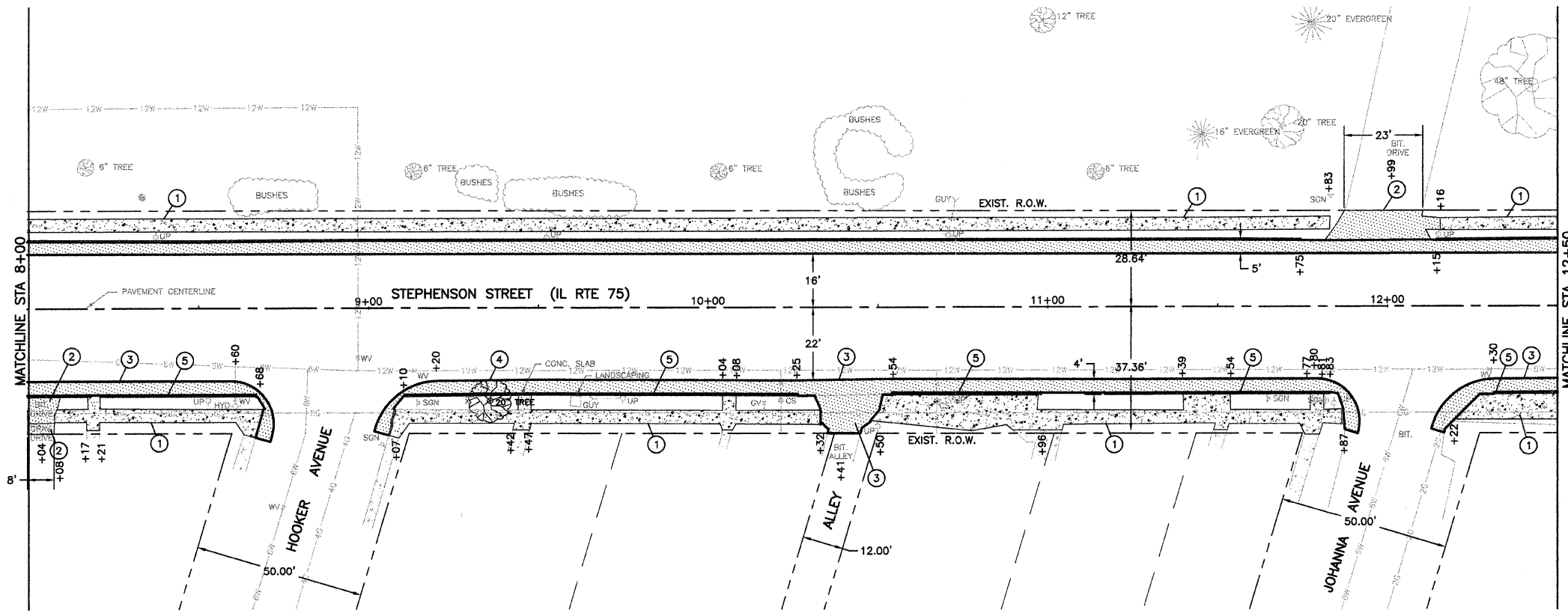
JOB NUMBER:  
09-302

SHEET NUMBER:  
5 of 9

G:\EPLT\09\09-302\09-302-Fidmtdwg\_ Removal1

- KEY NOTES**
1. SIDEWALK REMOVAL.
  2. DRIVEWAY PAVEMENT REMOVAL.
  3. PAVEMENT REMOVAL.
  4. N.A. (THIS SHEET)
  5. COMBINATION CURB AND GUTTER REMOVAL.
  6. CONCRETE REMOVAL.
  7. CONTRACTOR SHALL REMOVE EXISTING CROSS-WALK WARNING. CONTRACTOR SHALL CAP EXISTING ELECTRIC WIRES ABOVE GRADE AND LEAVE IN PLACE. CITY OF FREEPORT TO INSTALL CROSS-WALK WARNING SIGN UPON COMPLETION OF SIDEWALK INSTALLATION. THIS WORK SHALL BE CONSIDERED INCIDENTAL TO SIDEWALK REMOVAL.

- LEGEND**
- BITUMINOUS REMOVAL
  - CONCRETE REMOVAL
  - COMBINATION CONCRETE CURB AND GUTTER REMOVAL
  - TREE/SHRUB REMOVAL



**FEHR-GRAHAM & ASSOCIATES, LLC**  
ENGINEERING AND SCIENCE CONSULTANTS  
FREEPORT, IL ROCKFORD, IL ROCHELLE, IL SPRINGFIELD, IL MONROE, WI  
ILLINOIS DESIGN FIRM NO. 184-003525  
© 2010 FEHR-GRAHAM & ASSOCIATES

OWNER/DEVELOPER:  
CITY OF FREEPORT  
230 W. STEPHENSON ST.  
FREEPORT, IL 61032

PROJECT AND LOCATION:  
STEPHENSON STREET  
STREETScape IMPROVEMENTS  
SECTION 09-00138-00-LS

DRAWN BY: G.B.  
APPROVED BY: P.E.  
DATE: 06/10/10  
SCALE: AS NOTED

REVISIONS		
REV. NO.	DESCRIPTION	DATE
1	REVISIONS PER IDOT REVIEW	7/12/10

DRAWING:  
REMOVAL PLAN

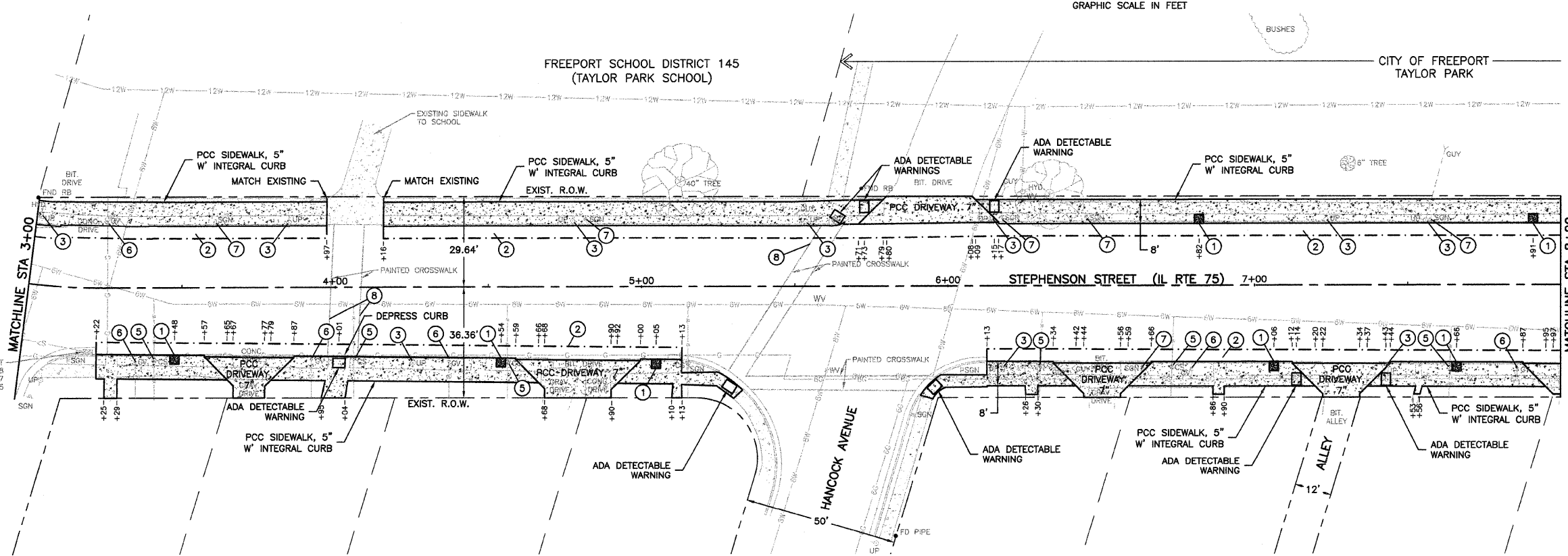
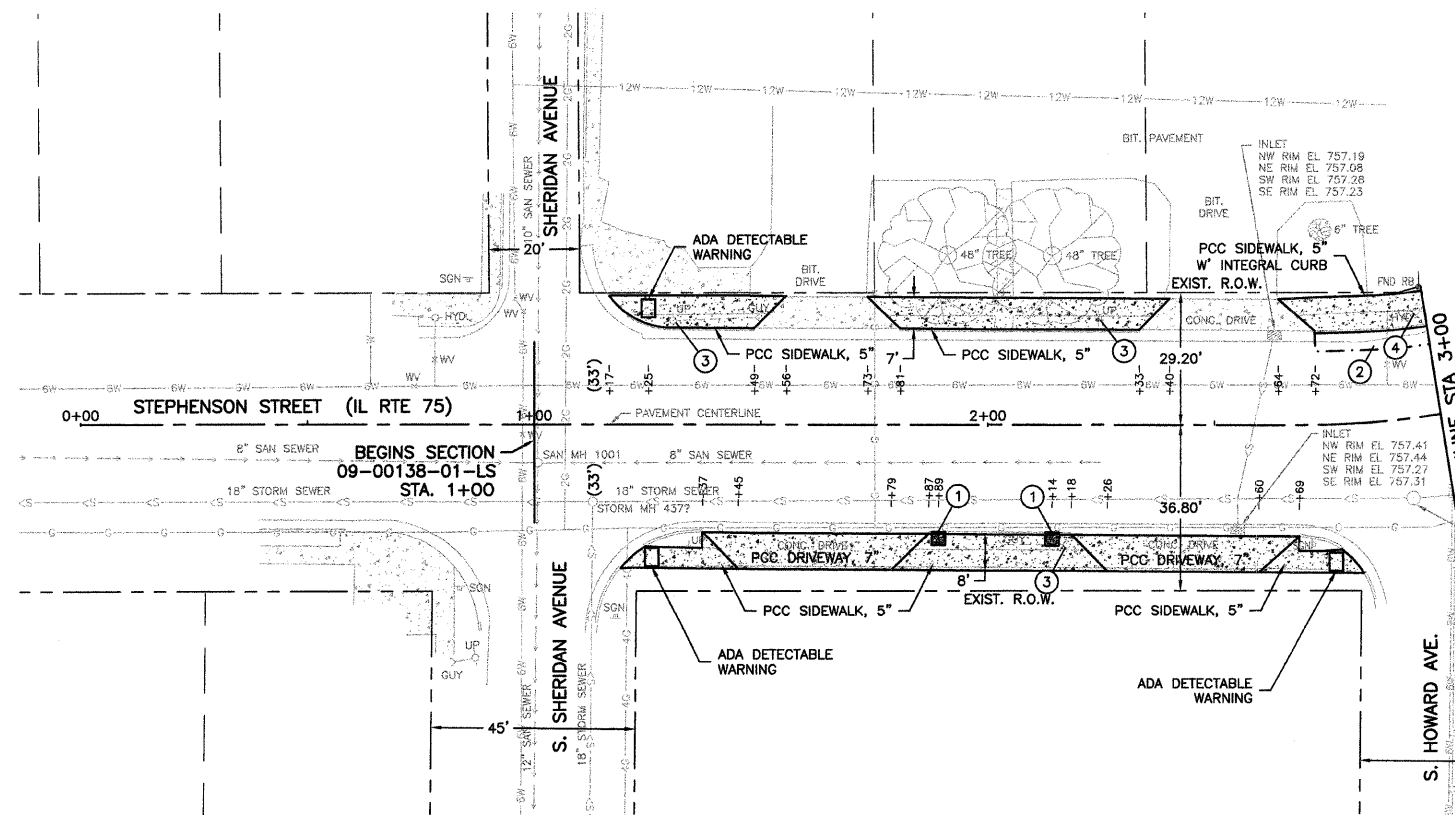
G:\EGLP\09\09-302\09-302-1\Drawn.dwg, Removal2

JOB NUMBER:  
09-302

SHEET NUMBER:  
6 of 9

KEY NOTES

1. LANDSCAPE PLANTER
2. INC. HMA SURFACING, SUB-BASE GRANULAR MATERIAL, TYPE A
3. POLE TO BE RELOCATED BY UTILITY COMPANY
4. FIRE HYDRANT TO BE REMOVED
5. DOMESTIC WATER SERVICE BOX TO BE ADJUSTED
6. GAS VALVE TO BE ADJUSTED
7. SIGN TO REMAIN IN PLACE. CONTRACTOR SHALL REMOVE SIGN AND RECORD THE LOCATION. CONTRACTOR TO RE-INSTALL SIGN PRIOR TO COMPLETION OF PROJECT. THIS SHALL BE CONSIDERED INCIDENTAL TO THE PROJECT.
8. PAINTED CROSS-WALK THAT AS REMOVED SHALL BE RE-PAINTED IN AREA OF NEW PAVEMENT ONLY. INCIDENTAL TO PROJECT.



**FEHR-GRAHAM & ASSOCIATES, LLC**  
ENGINEERING AND SCIENCE CONSULTANTS  
FREEPORT, IL ROCKFORD, IL ROCHELLE, IL SPRINGFIELD, IL MONROE, WI  
ILLINOIS DESIGN FIRM NO. 184-003525

OWNER/DEVELOPER:  
CITY OF FREEPORT  
230 W. STEPHENSON ST.  
FREEPORT, IL 61032

PROJECT AND LOCATION:  
STEPHENSON STREET  
STREETScape IMPROVEMENTS  
SECTION 09-00138-00-LS

DRAWN BY: G.B.  
APPROVED BY: P.E.  
DATE: 06/10/10  
SCALE: AS NOTED

REVISIONS		
REV. NO.	DESCRIPTION	DATE
1	REVISIONS PER IDOT REVIEW	7/12/10

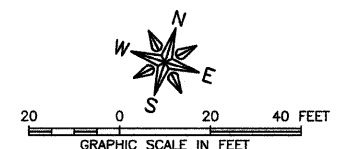
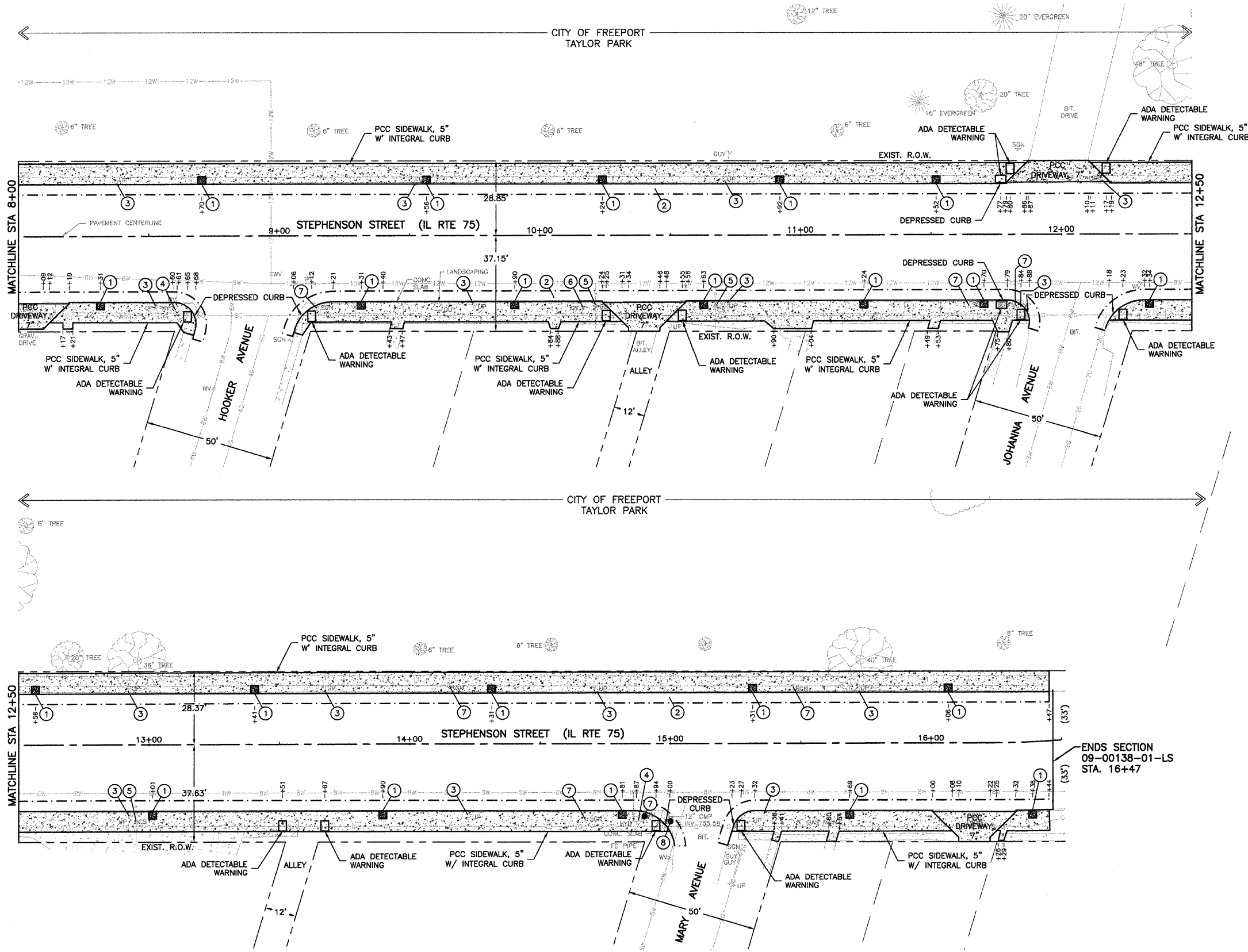
DRAWING:  
PROPOSED SITE PLAN

JOB NUMBER:  
09-302

SHEET NUMBER:  
7 of 9

**KEY NOTES**

1. LANDSCAPE PLANTER
2. INC. HMA SURFACING, SUB-BASE GRANULAR MATERIAL, TYPE A
3. POLE TO BE RELOCATED BY UTILITY COMPANY
4. FIRE HYDRANT TO BE REMOVED
5. DOMESTIC WATER SERVICE BOX TO BE ADJUSTED
6. GAS VALVE TO BE ADJUSTED
7. SIGN TO REMAIN IN PLACE. CONTRACTOR SHALL REMOVE SIGN AND RECORD THE LOCATION. CONTRACTOR TO RE-INSTALL SIGN PRIOR TO COMPLETION OF PROJECT. THIS SHALL BE CONSIDERED INCIDENTAL TO THE PROJECT.
8. PAINTED CROSS-WALK THAT AS REMOVED SHALL BE RE-PAINTED IN AREA OF NEW PAVEMENT ONLY. INCIDENTAL TO PROJECT.



**FEHR-GRAHAM & ASSOCIATES, LLC**  
ENGINEERING AND SCIENCE CONSULTANTS  
FREEPORT, IL ROCKFORD, IL ROCHELLE, IL SPRINGFIELD, IL MONROE, WI  
ILLINOIS DESIGN FIRM NO. 184-003525  
© 2010 FEHR-GRAHAM & ASSOCIATES

OWNER/DEVELOPER:  
CITY OF FREEPORT  
230 W. STEPHENSON ST.  
FREEPORT, IL 61032

PROJECT AND LOCATION:  
STEPHENSON STREET  
STREETSCAPE IMPROVEMENTS  
SECTION 09-00138-00-LS

DRAWN BY: G.B.  
APPROVED BY: P.E.  
DATE: 06/10/10  
SCALE: AS NOTED

REVISIONS		
REV. NO.	DESCRIPTION	DATE
1	REVISIONS PER IDOT REVIEW	7/12/10

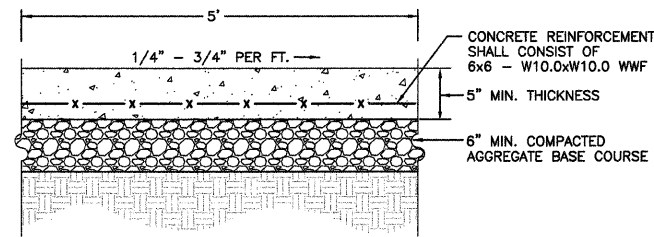
DRAWING:  
PROPOSED SITE PLAN

©\ECLPT\09-302\09-302-71dpts.dwg, Plan2

JOB NUMBER:  
09-302

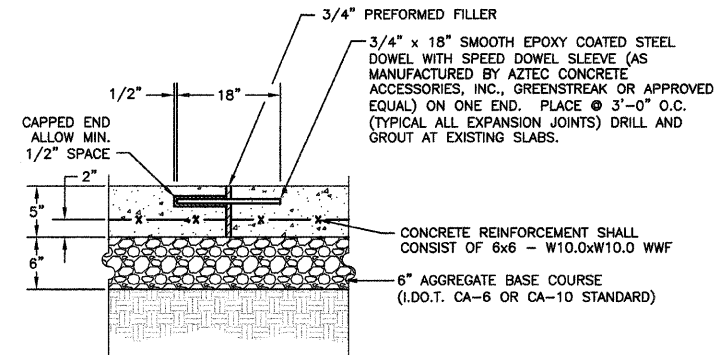
SHEET NUMBER:  
8 of 9



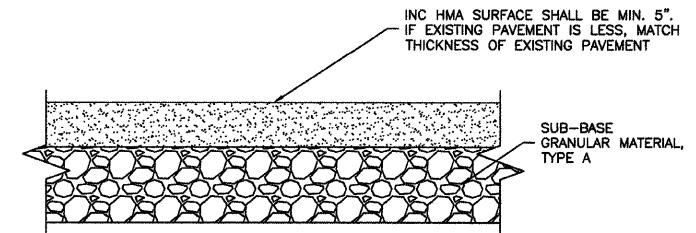


NOTE: CONTROL JOINTS SHALL BE PLACED EVERY 5'.

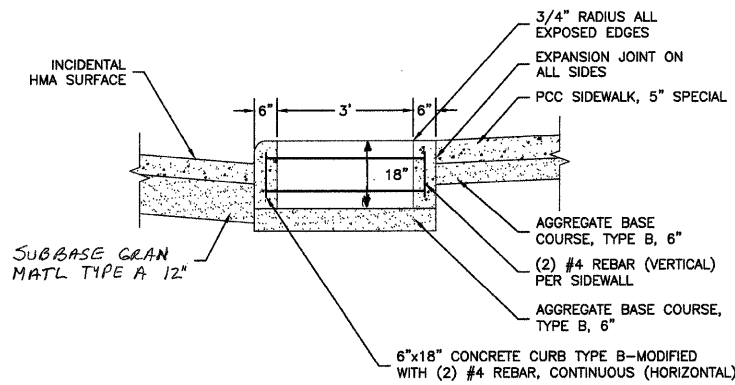
CONCRETE SIDEWALK SECTION  
N.T.S.



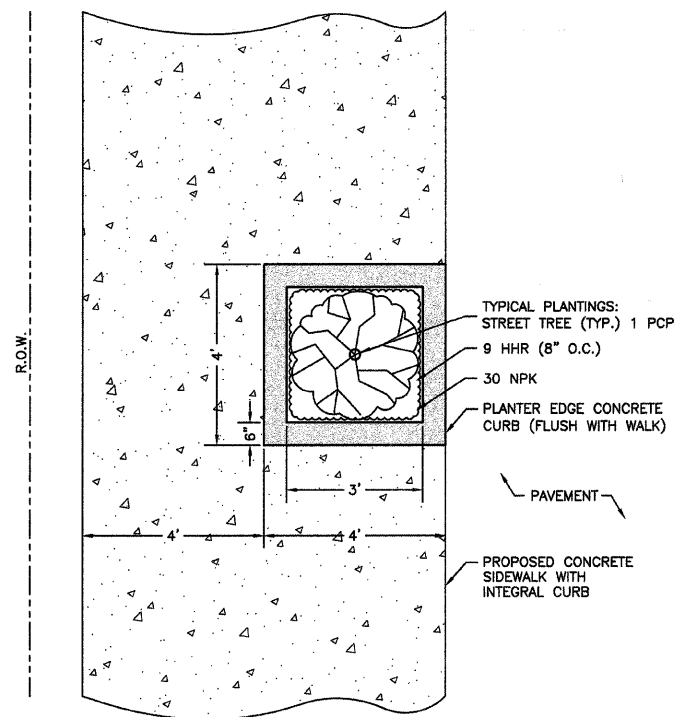
SIDEWALK AND EXPANSION JOINT DETAIL  
N.T.S.



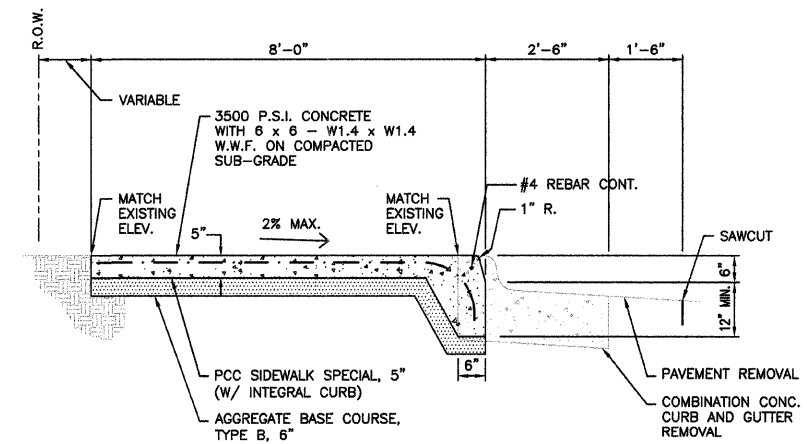
INCIDENTAL HMA SURFACE DETAIL  
N.T.S.



PLANTER PROFILE DETAIL  
N.T.S.



PLANTER DETAIL  
N.T.S.



**SIDEWALK NOTES**

SIDEWALK SHALL BE LOCATED AS SHOWN ON PLANS AND CONSTRUCTED PER DETAIL ON THIS SHEET.  
SIDEWALK SHALL BE CONSTRUCTED OF 3500 PSI CONCRETE TO A MINIMUM THICKNESS OF 4\"/>

SIDEWALK W/INTEGRAL CURB DETAIL  
N.T.S.

REVISIONS		
REV. NO.	DESCRIPTION	DATE
1	REVISIONS PER IDOT REVIEW	07/12/10
2	REVISIONS PER CITY REVIEW	07/27/10