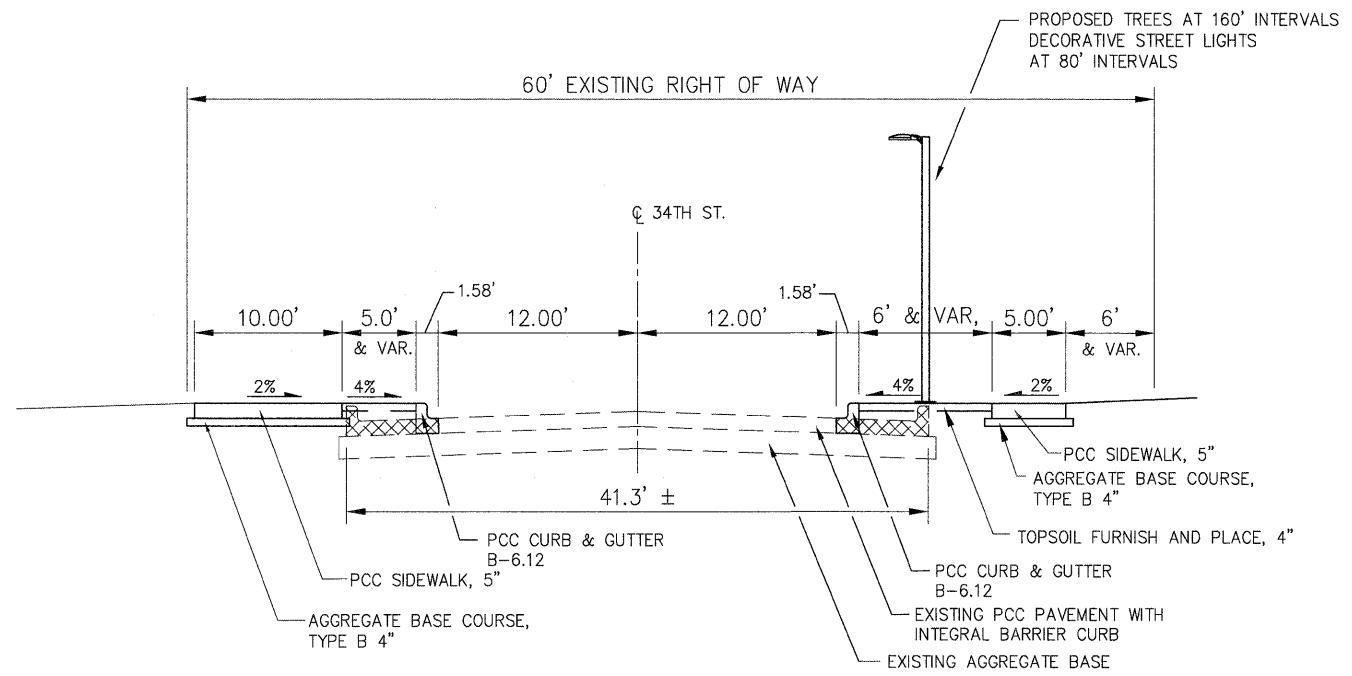
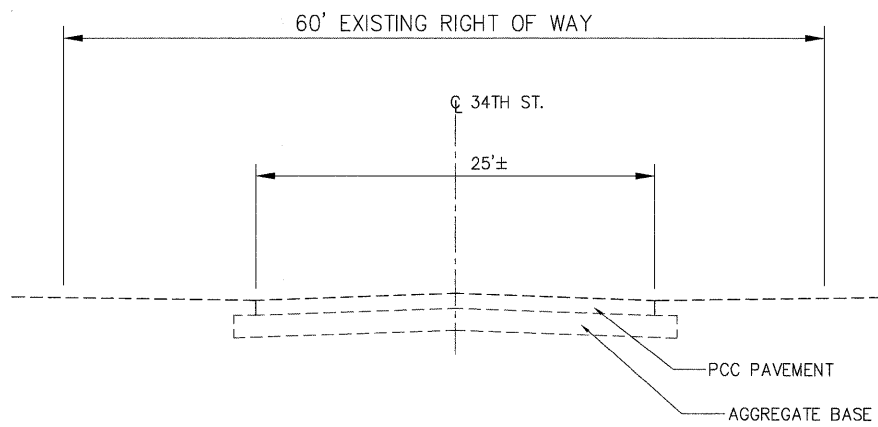


**34th STREET
EXISTING TYPICAL SECTION
STA. 67+07 TO STA. 71+15**



**34th STREET
PROPOSED TYPICAL SECTION
STA. 66+60 TO STA. 71+15**



**34th STREET
EXISTING TYPICAL SECTION
STA. 66+60 TO STA. 67+07**

SHIVE-HATTERY
Cedar Rapids, IA · Iowa City, IA · Des Moines, IA
Moline, IL · Bloomington, IL · Chicago, IL
SHIVE-HATTERY, INC. 1701 RIVER DRIVE, SUITE 200 MOLINE, IL 61265
PHONE (309) 764-7650 FAX (309) 764-8616
http://www.shive-hattery.com
ILLINOIS FIRM NUMBER: 184-000214

FILE NAME =	USER NAME = \$USER\$	DESIGNED - PHM	REVISED -
\$FILEL\$		DRAWN - MAC	REVISED -
	PLOT SCALE = \$SCALE\$	CHECKED - 07-06-10	REVISED -
	PLOT DATE = \$DATE\$	DATE - 07-06-10	REVISED -

**STATE OF ILLINOIS
DEPARTMENT OF TRANSPORTATION**

34TH STREET TYPICAL SECTIONS

SCALE: SHEET NO. 7 OF 30 SHEETS STA. TO STA.

F.A.U. RTE.	SECTION	COUNTY	TOTAL SHEETS	SHEET NO.
5756	06-00234-00-LS	ROCK ISLAND	30	7
CONTRACT NO. 85517				
FED. ROAD DIST. NO. 2 ILLINOIS FED. AID PROJECT				