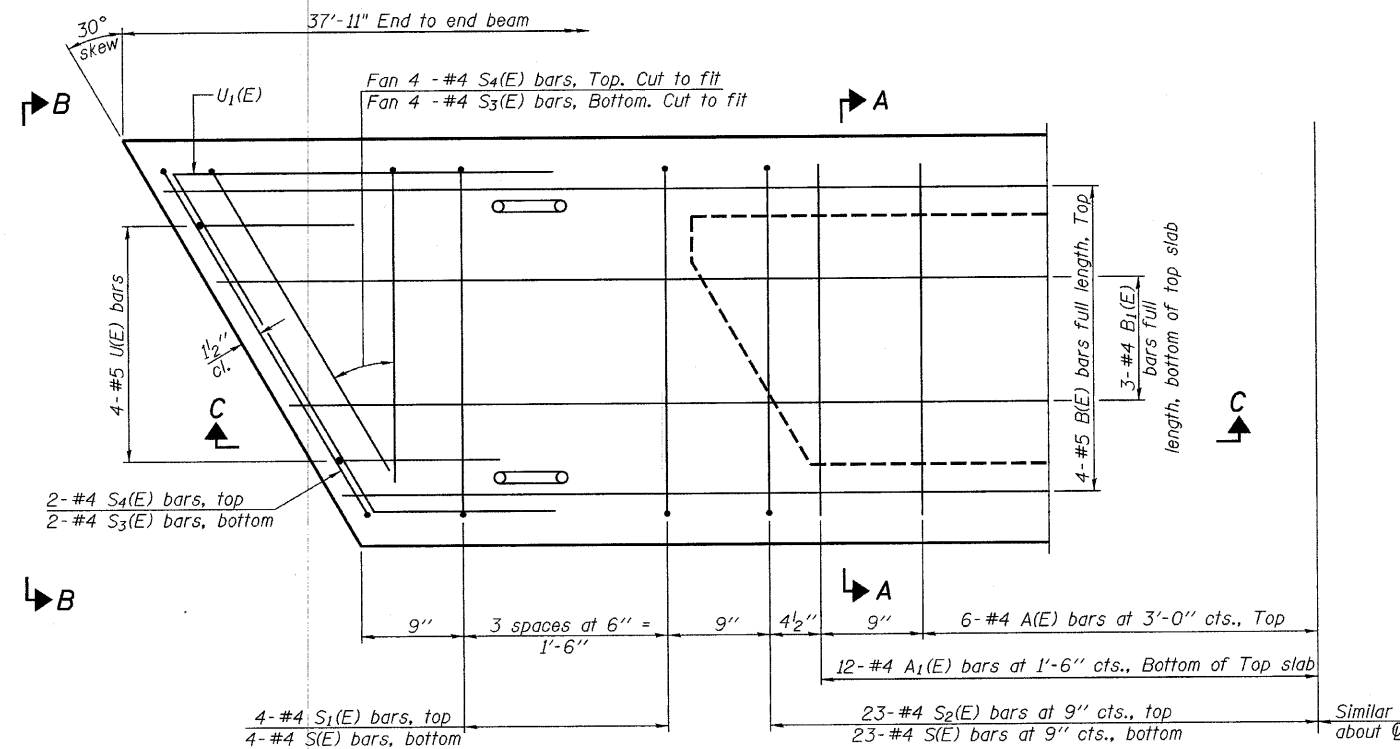
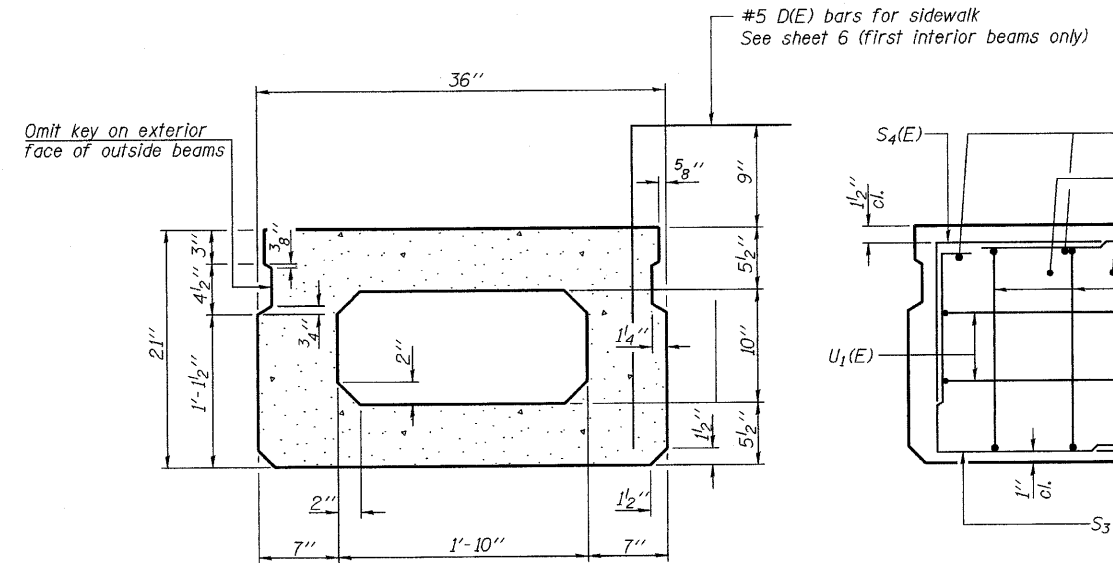


**SECTION C-C**

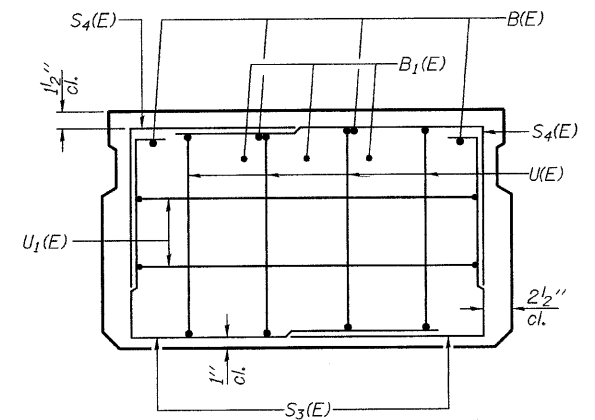


**PLAN VIEW**

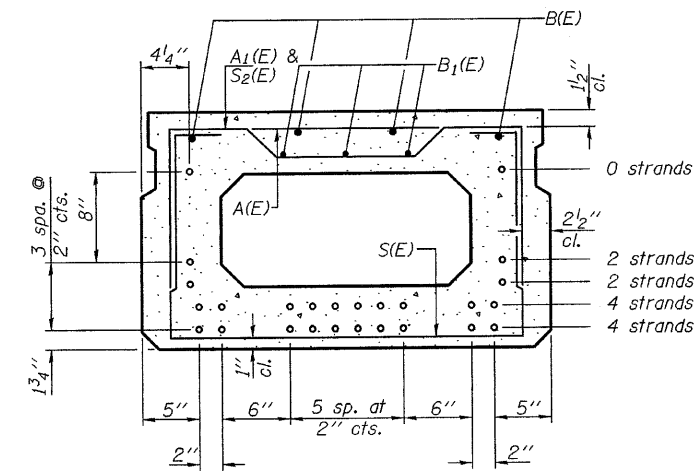
Note: Spacing of S(E) and S<sub>2</sub>(E) bars may be adjusted up to 4" in the immediate area of the transverse tie diaphragms to miss the block outs for the transverse ties.



**SECTION A-A**  
(Showing dimensions)



**VIEW B-B**



**SECTION A-A**

(Showing reinforcement and permissible strand locations)

Note: Place the number of strands specified in each row symmetrically about the centerline of beam in the permissible strand locations shown.

**BAR LIST**  
**ONE BEAM ONLY**  
(For information only)

Bar	No.	Size	Length	Shape
A(E)	12	#4	2'-7"	—
A <sub>1</sub> (E)	23	#4	2'-10"	—
B(E)	4	#5	37'-8"	—
B <sub>1</sub> (E)	3	#4	37'-8"	—
D(E)	126	#5	3'-6 1/2"	┘
S(E)	54	#4	6'-5"	┘
S <sub>1</sub> (E)	8	#4	4'-11"	┘
S <sub>2</sub> (E)	46	#4	5'-2"	┘
S <sub>3</sub> (E)	12	#4	4'-5"	┘
S <sub>4</sub> (E)	12	#4	3'-8"	┘
U(E)	8	#5	4'-0"	┘
U <sub>1</sub> (E)	4	#4	6'-11"	┘

Note: See sheet 8 of 11 for additional details and Bill of Material.

**Minimum Bar Lap**

#4 bar = 2'-0"  
#5 bar = 2'-6"

**21" X 36" PPC DECK BEAM**  
**STRUCTURE NO. 032-7006**

PD-2136-R

FILE NAME = 007-DECKBEAM36.DGN	USER NAME = ---	DESIGNED - J.K.C.	REVISED -	<b>FAU 5958 (OTTAWA AVENUE)</b> <b>SECTION 07-00137-00-BR</b> <b>GRUNDY COUNTY</b>	<b>PPC DECK BEAM DETAILS</b>			F.A.U. RTE. 5958	SECTION 07-00137-00-BR	COUNTY GRUNDY	TOTAL SHEETS 11	SHEET NO. 7
PLOT SCALE = NONE	CHECKED - J.K.C.	REVISED -	FED. ROAD DIST. NO.					ILLINOIS FED. AID PROJECT	CONTRACT NO. 87463			
PLOT DATE = 04/10	DATE - 04/10	REVISED -	SCALE: NONE					SHEET NO. 7 OF 11 SHEETS	STA. TO STA.			