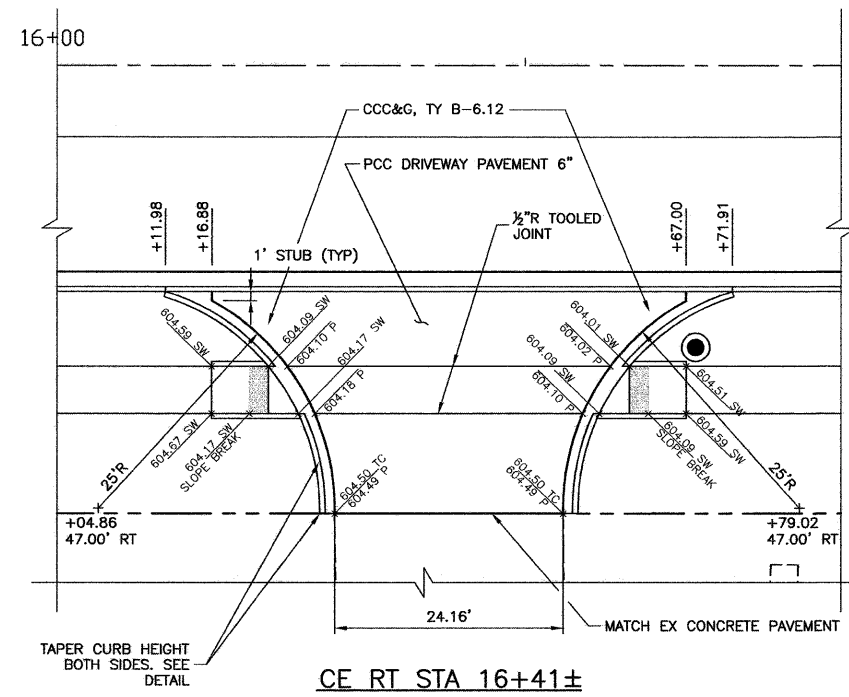
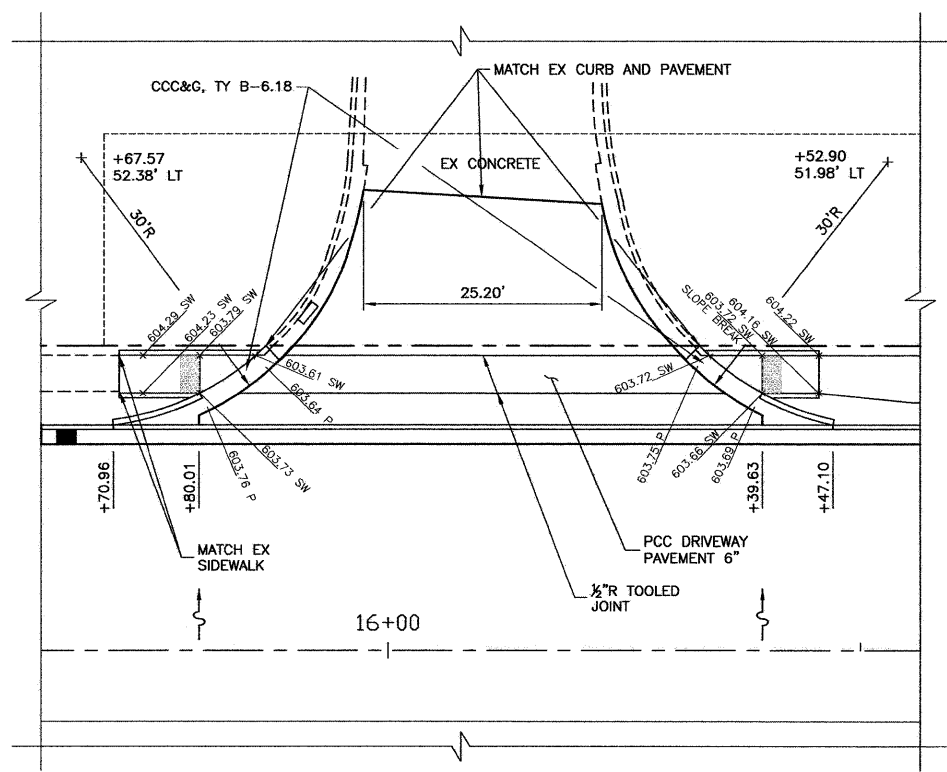


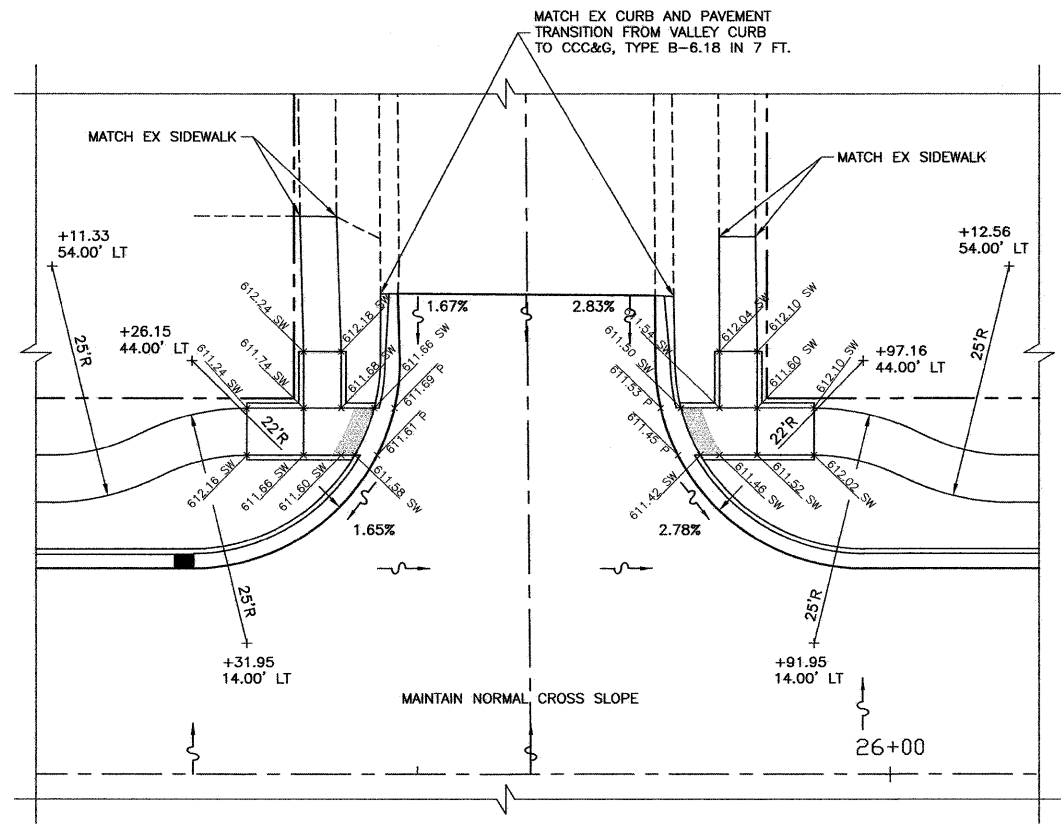
CE RT STA 14+02±



CE RT STA 16+41±



CE LT STA 16+09±



MCGREGOR LT STA 25+62±

SHEET TITLE		INTERSECTION AND ENTRANCE DETAILS	
PROJECT	FAU RTE. 8046(MEADOWBROOK ROAD)	PROJECT NO.	09040
	SECTION 09-00465-00-PV	SCALE	1"=10'
	CITY OF SPRINGFIELD	DATE	4/19/10
	SANGAMON COUNTY	DRAWN BY	
		CHECKED BY	
		DRAWING NO.	18
		OF 30	SHTS