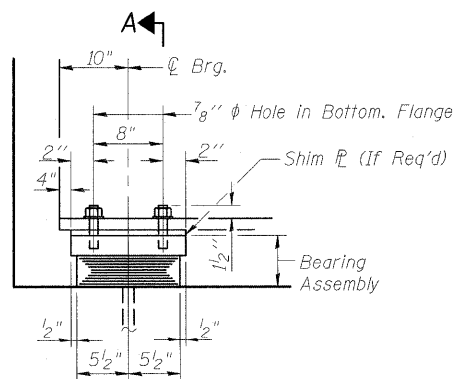
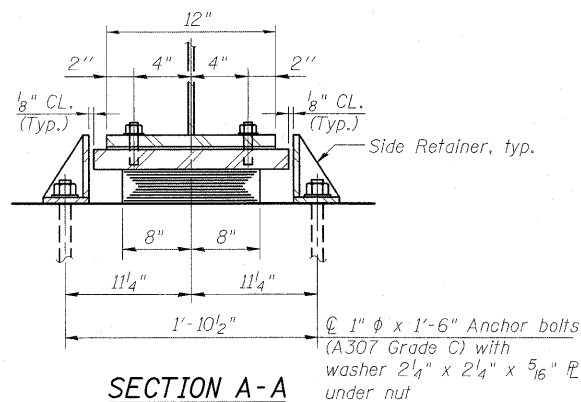


STATE OF ILLINOIS
DEPARTMENT OF TRANSPORTATION



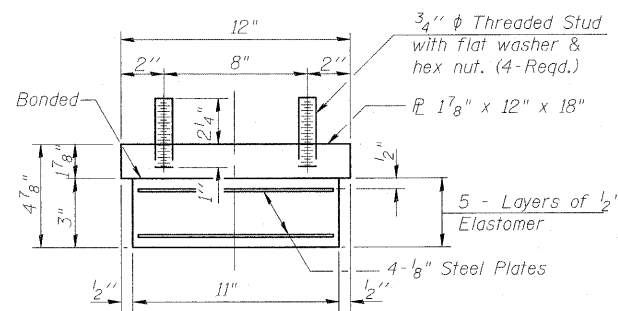
ELEVATION AT ABUT.



SECTION A-A

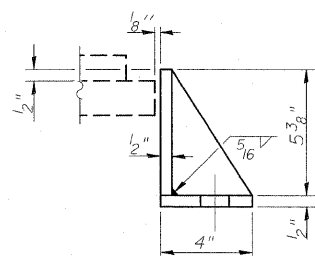
TYPE I ELASTOMERIC EXP. BRG.

(12 Required)



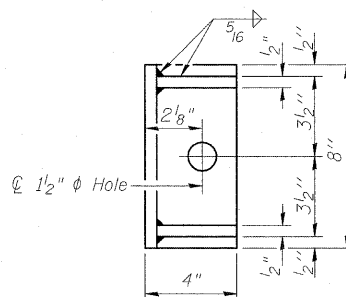
BEARING ASSEMBLY

Note: Shim plates shall not be placed under Bearing Assembly.

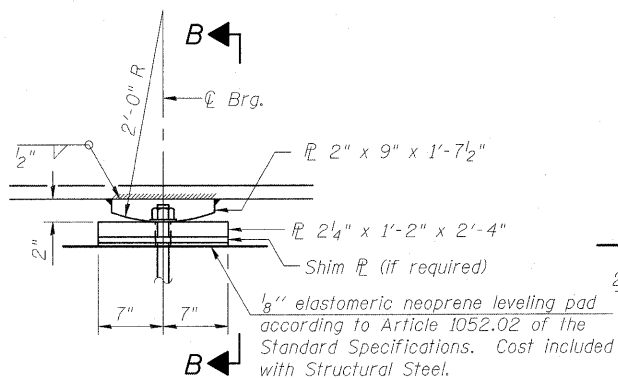


SIDE RETAINER

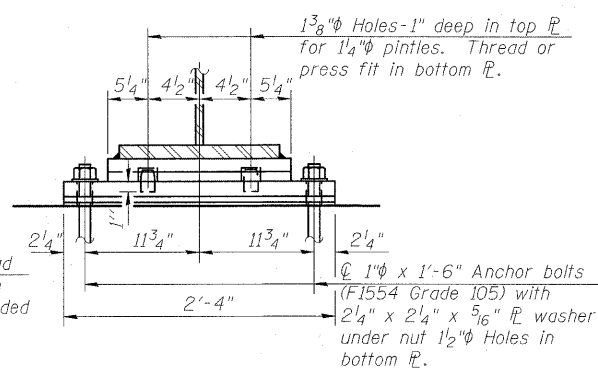
Equivalent rolled angle with stiffeners will be allowed in lieu of welded plates.



PINTLE



ELEVATION AT PIER



SECTION B-B

FIXED BEARING

(12 Required)

Notes:

Anchor bolts shall be ASTM F1554 all-thread (or an Engineer-approved alternate material) of the grade(s) and diameter(s) specified. The corresponding specified grade of AASHTO M314 anchor bolts may be used in lieu of ASTM F1554.

Anchor bolts at fixed bearings may be either cast in place or installed in holes drilled after the supported member is in place.

Anchor bolts for side retainers may be cast in place or installed in holes drilled before or after members are in place.

Drilled and set anchor bolts shall be installed according to Article 521.06 of the Standard Specifications.

Side retainers and other steel members required for the bearing assembly shall be included in the cost of Elastomeric Bearing Assembly, Type I.

See Sheets 14, 15, 18, & 19 of 27 for Anchor Bolt Location Details.

Two 3/8 in. adjusting shims shall be provided for each bearing in addition to all other plates or shims and placed as shown on bearing details.

The anchor bolt sizes and grades shown constitute a calculated seismic structural fuse. Substitution of higher diameter and/or grade anchor bolts will not be allowed.

BEARING DETAILS
ILLINOIS ROUTE 1
OVER NORFOLK SOUTHERN RR
STA. 757+97.66

DESIGNED	B.B.
CHECKED	C.J.F.
DRAWN	J.G.
CHECKED	C.J.F. & B.B.



**BERNARDIN
LOCHMUELLER &
ASSOCIATES, INC.**

3 Oak Drive
Marquette, IL 60165-6635
Local (618) 288-4665
Fax 618-288-4666

SHEET NO. 13 27 SHEETS	F.A.P. RTE.	SECTION	COUNTY	TOTAL SHEETS	SHEET NO.
	332	103B-1	WABASH	90	47
SN 093-0023			CONTRACT NO. 94754		
FED. ROAD DIST. NO. 7 ILLINOIS FED. AID PROJECT 332					

Rev. Sheet 9-7-10