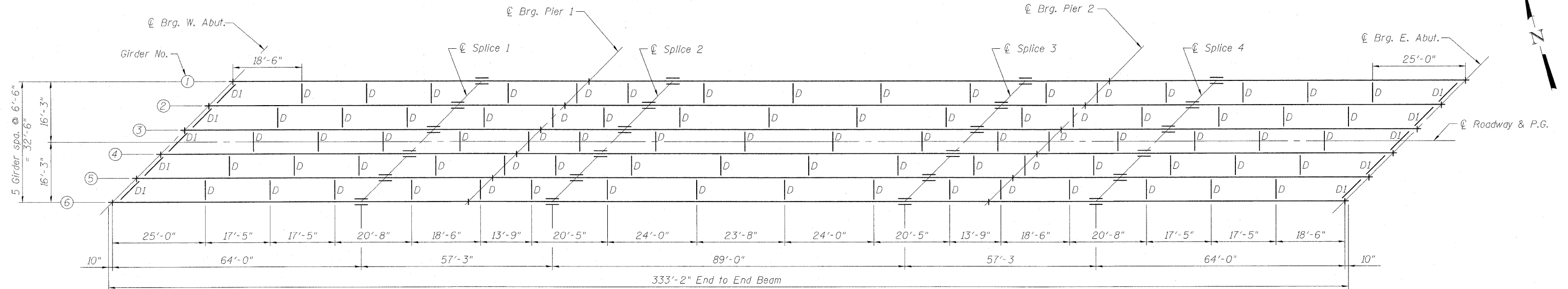


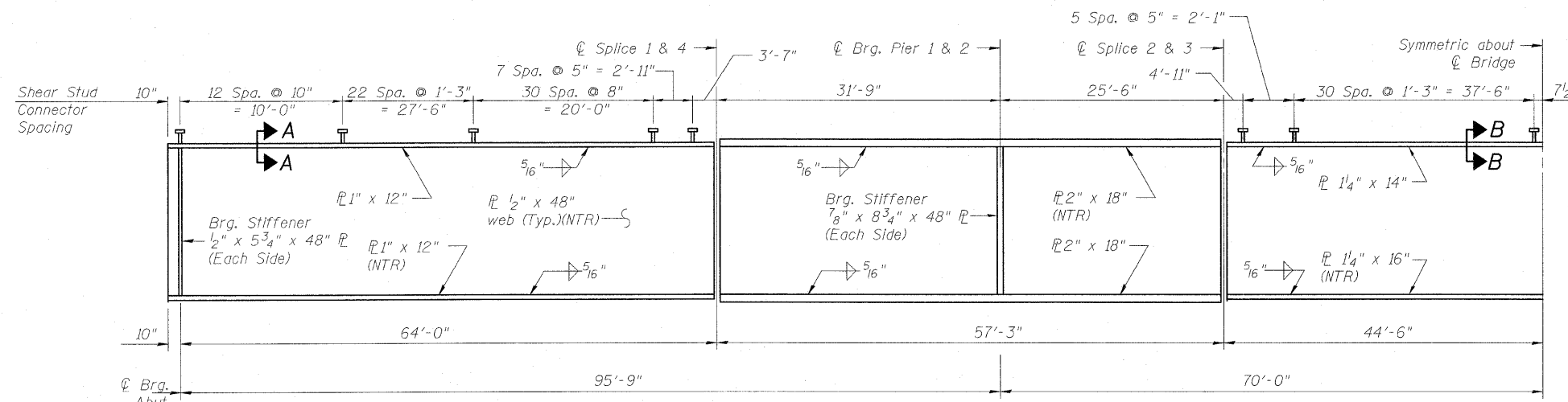
STATE OF ILLINOIS
DEPARTMENT OF TRANSPORTATION



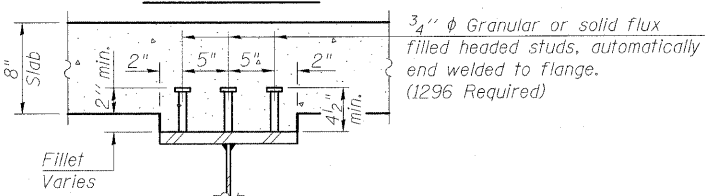
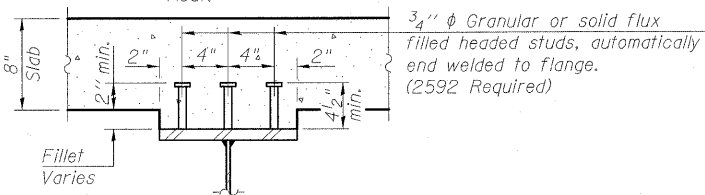
FRAMING PLAN

Notes:

Two hardened washers required for each set of oversized holes.
All diaphragms between beams or girders shall be installed with erection pins and bolts in accordance with the erection plan approved by the Engineer. Individual cross frames or diaphragms at supports may be temporarily disconnected to install bearing anchor rods.
See Sheet 13 of 27 for Bearing bolt hole placement.
Load carrying components designated "NTR" shall conform to the Supplemental Requirements for Notch Toughness, Zone 2.
See sheet 12 of 27 for bearing Stiffeners.



GIRDER ELEVATION

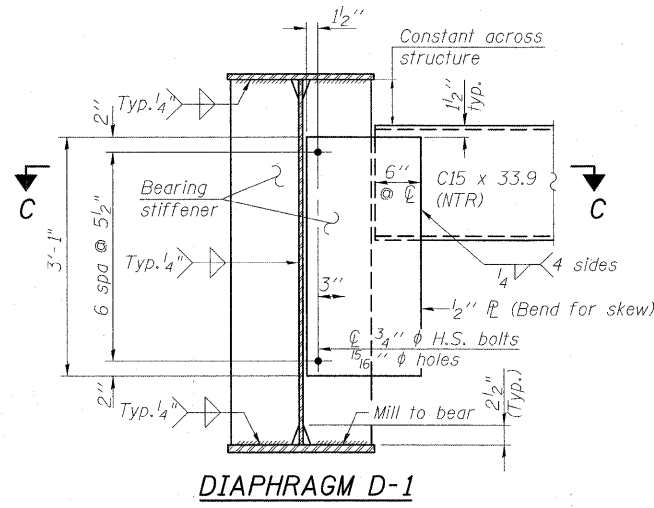
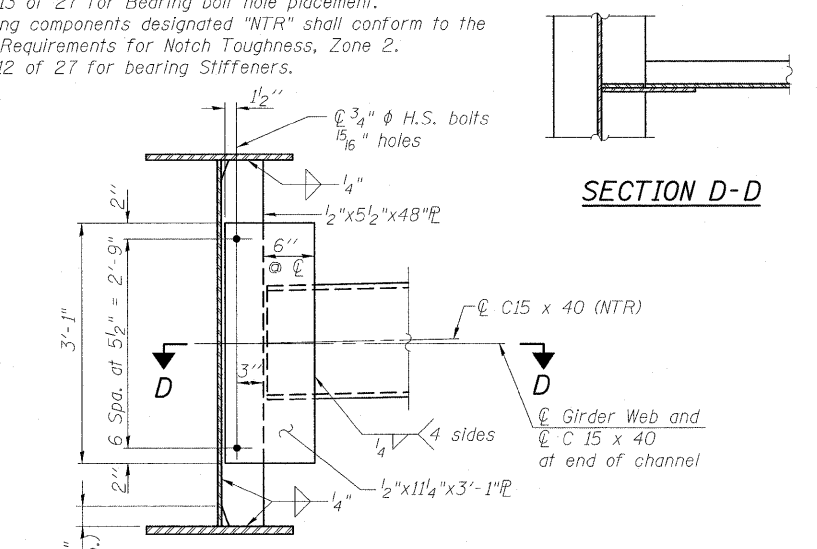


* TOP OF WEB ELEVATIONS

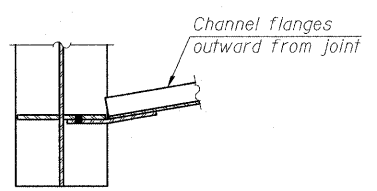
Location	℄ Brg. W. Abut.	℄ Splice 1	℄ Pier 1	℄ Splice 2	℄ Splice 3	℄ Pier 2	℄ Splice 4	℄ Brg. E. Abut.
Girder 1	458.05	457.96	457.87	457.80	457.12	456.80	456.40	455.50
Girder 2	458.14	458.09	458.02	457.96	457.29	456.99	456.61	455.74
Girder 3	458.23	458.16	458.12	458.09	457.48	457.18	456.80	455.96
Girder 4	458.17	458.20	458.12	458.06	457.54	457.25	456.89	456.07
Girder 5	458.06	458.09	458.05	458.01	457.43	457.18	456.88	456.07
Girder 6	457.90	457.96	457.92	457.89	457.36	457.12	456.83	456.01

* "For Fabrication Only"

DESIGNED	B.B.
CHECKED	C.J.F.
DRAWN	J.G.
CHECKED	C.J.F. & B.B.



Note: Two hardened washers required for each set of oversized holes.



STRUCTURAL STEEL
ILLINOIS ROUTE 1
OVER NORFOLK SOUTHERN RR
STA. 757+97.66

BERNARDIN LOCHMUELLER & ASSOCIATES, INC.

3 Oak Drive
Maryville, IL 62428-5935
Local (618) 298-4665
Fax 618-288-4666

SHEET NO. 11 27 SHEETS	F.A.P. RTE. 332	SECTION 103B-1	COUNTY WABASH	TOTAL SHEETS 90	SHEET NO. 45
	SN 093-0023		CONTRACT NO. 94754		
FED. ROAD DIST. NO. 7 ILLINOIS FED. AID PROJECT 332					

12/6/55 PM 1/11/2010 \BP10gms\03\0023\94754.dgn